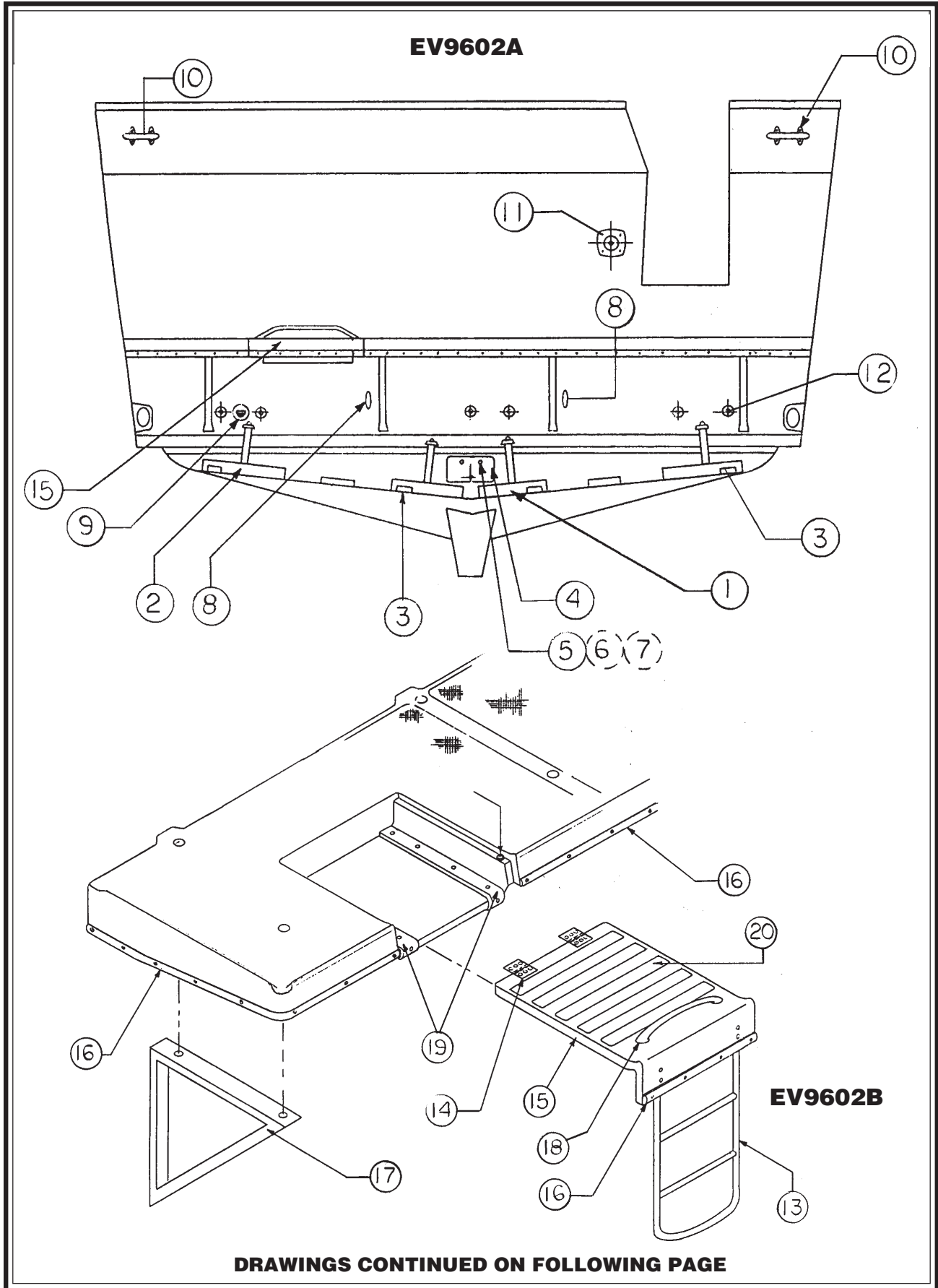


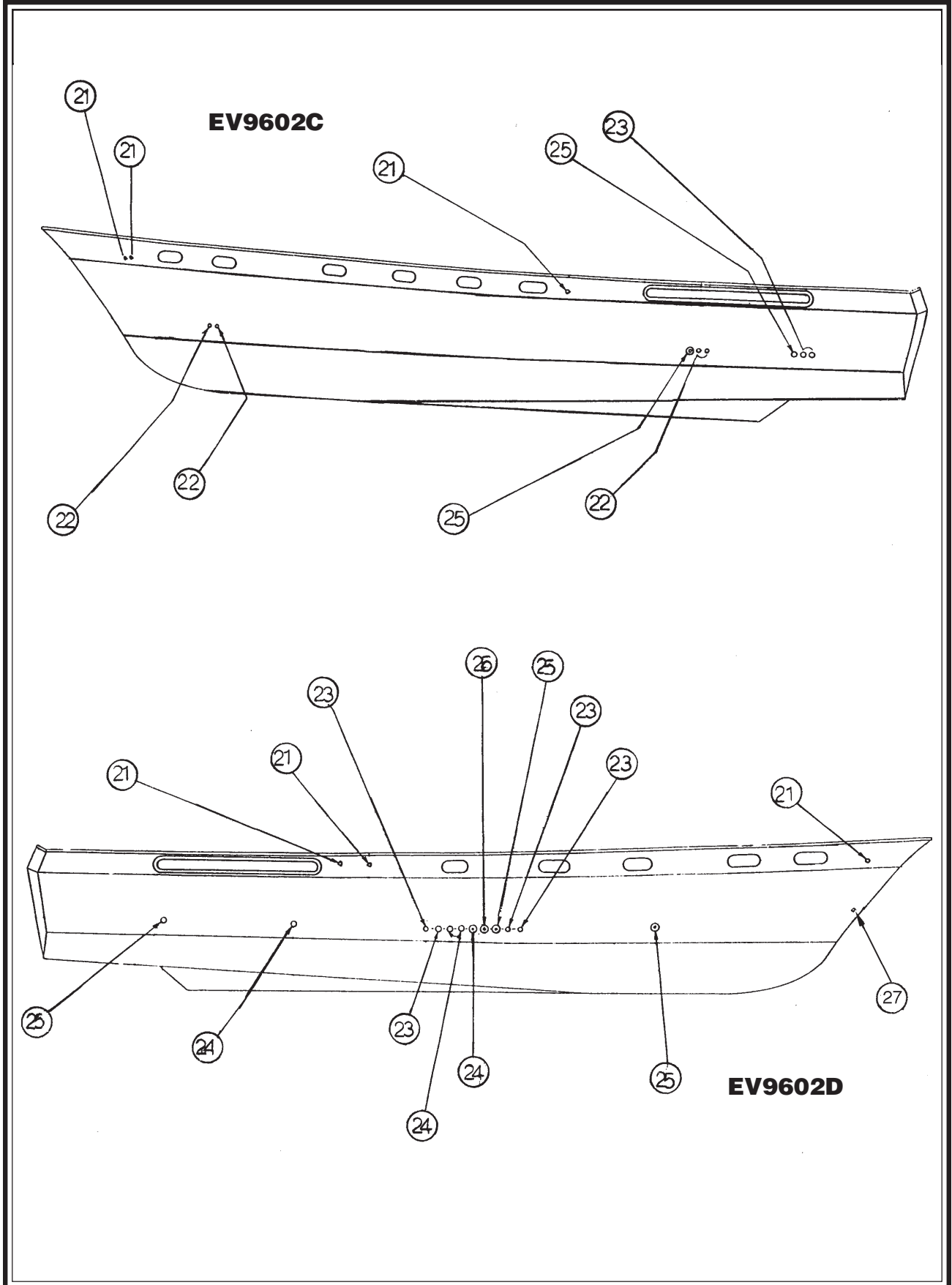
SECTION NO.	TITLE	PAGE
1)	<u>COVERINGS</u>	2
	Vinyls, fabrics, gelcoat, wood, laminates, misc. materials	
2)	<u>HULL HARDWARE</u>	3
	Hull carpet, ext. hardware, swim step/platform, braces & ladder assy	
3)	<u>DECK HARDWARE</u>	6
	Gunnel, bow/taff/stern/grab/hand/console rails, radar wing, bow platform, deck hatches & trim, deck carpet	
4)	<u>COMMAND BRIDGE HARDWARE</u>	11
	Rails, hardware, carpet, console	
6)	<u>INTERIOR HARDWARE</u>	15
	Table assy, propane system, port dash and helm console	
7)	<u>UPHOLSTERY</u>	18
	All uph, materials, foam, uph rails and hardware, carpet runners	
8)	<u>TAPES AND LABELS</u>	22
	Hull, interior, exterior, deck, C/B & H/T tapes and labels	
9)	<u>WINDSHIELD</u>	23
	Windshield system, windscreen, fasteners and related hardware	
10)	<u>ELECTRICAL</u>	29
	Wiring harness, gen. sys, air cond., int/ext lights, gauges, switches, panels console & instruments, audio-visual, communication, radar/autopilot	
11)	<u>CANVAS</u>	40
	Canvas is no longer available. Go to http://www.letastopshop.com	
12)	<u>ENGINE AND CONTROL SYSTEMS</u>	41
	Engine systems, shifter & control cables, steering sys, fuel sys, vent sys	
13)	<u>MODULES</u>	43
	Entertainment center assy, entry door & trim, drip rails, hanging locker, head, galley, exterior bulkhead, vanity assy, plex doors, wood assemblies	
14)	<u>PLUMBING AND FIXTURES</u>	53
	Bilge pump, baitwell, shower, marine head, fresh water, sink/deck/c/b drain systems	
15)	<u>MANUFACTURING SUPPLIES</u>	66
	Manuals, shipping materials, basic manufacturing supplies	
16)	<u>FACTORY INSTALLED OPTIONS</u>	67
18)	<u>ENGINE OPTIONS</u>	86
	Engine systems & related hardware	
20)	<u>ASH OPTION</u>	100

ITEM NO.	PART NUMBER	PART DESCRIPTION	U/M	QTY.
CARPET/HULL LINER				
*	55525	FLOOR CARPET-LT. MAHOGANY	LY	
*	52594	HEADLINER CARPET- WHITE OPAL	LY	
GELCOAT/PATCH PASTE/PAINT				
*	F50-31943	GELCOAT-WHITE/WHITE	QT	
*	F55-31943	PATCH PASTE-WHITE/WHITE	EA	
*	F50-513	GELCOAT-BLACK	QT	
*	F55-513	PATCHPASTE-BLACK	EA	
*	F50-58503	GELCOAT-DRIFTWOOD SILK	QT	
*	F55-58503	PATCHPASTE-DRIFTWOOD SILK	EA	
*	F7220	BASECOAT WHITE	QT	
*	31148	BOTTOMKOTE FBGS-BLACK	GL	
FABRIC				
*	61092	FABRIC- ALABASTER	LY	
*	58260	FABRIC-DEEP BLUE	LY	
*	60576	FABRIC-ROCKY PLAIN	LY	
*	55497	FABRIC-PAPYRUS	LY	
*	57905	FABRIC - ELWOOD	LY	
*	57908	FABRIC-ROSE	LY	
*	60577	FABRIC-ZAPIER #63	LY	
*	57906	FABRIC-PUMPKIN	LY	
*	59123	FABRIC-ADOBE	LY	
VINYL				
*	55610	VINYL-DRIFTWOOD SILK	LY	
*	61182	VINYL- CAPPUCCINO	LY	
*	55822	VINYL- MILER BLACK	LY	
*	57697	VINYL-DYNASTY WHITE	LY	
*	52547	LEISURE TEX EXTERIOR UPH	LY	
*	50025	VINYL-YACHT WHITE	LY	
*	55185	WALL COVERING-IVORY PATINA	LY	
WOOD				
*	36276	1/2" WHITE E-LAM PLYWOOD	SF	
*	50185	1/2" LAM PLY-BLACK	SF	
*	58348	1/2" KING UPHOLSTERY BOARD	SF	
*	54620	3/4" STARBOARD-DREAM WHITE	SF	
*	33979-V	LAMINATE-FROSTY WHITE VG	SF	
*	54847	1/4"X54"X96" STARBOARD-WHITE	SF	
*	38339	1/2" STARBOARD-POLAR WHITE HDPE	SF	
*	55293	LAM PLY-5/8" NEUTRAL WHITE	SF	
*	52313	LAM PLY-5/8" MARBLE MANTOUE	SF	
*	32134	1/4" A-3 AROMATIC CEDER PLYWOOD	SF	
*	60523	LAM PLY 5/8 COPPER	SF	
*	60523-H	LAMINATE H- COPPER	SF	
*	33979	LAM PLY-5/8" FROSTY WHITE	SF	
*	33797-H	LAMINATE-FROSTY WHITE CTG	SF	
*	38339	1/2" STARBOARD-WHITE/WHITE	SF	
*	55246	TEAK SEA RAIL	LF	
*	31050-V	LAMINATE-BLACK-VG	SF	
CANVAS				
*	35250	BLACK SUNBRELLA	LY	
*	NOT SHOWN	FOR VERIFICATION OF COLOR, REFER TO 1996 COLOR CHART. FOR ASH OPTION REFER TO SECTION 20 IN BACK OF CATALOG		

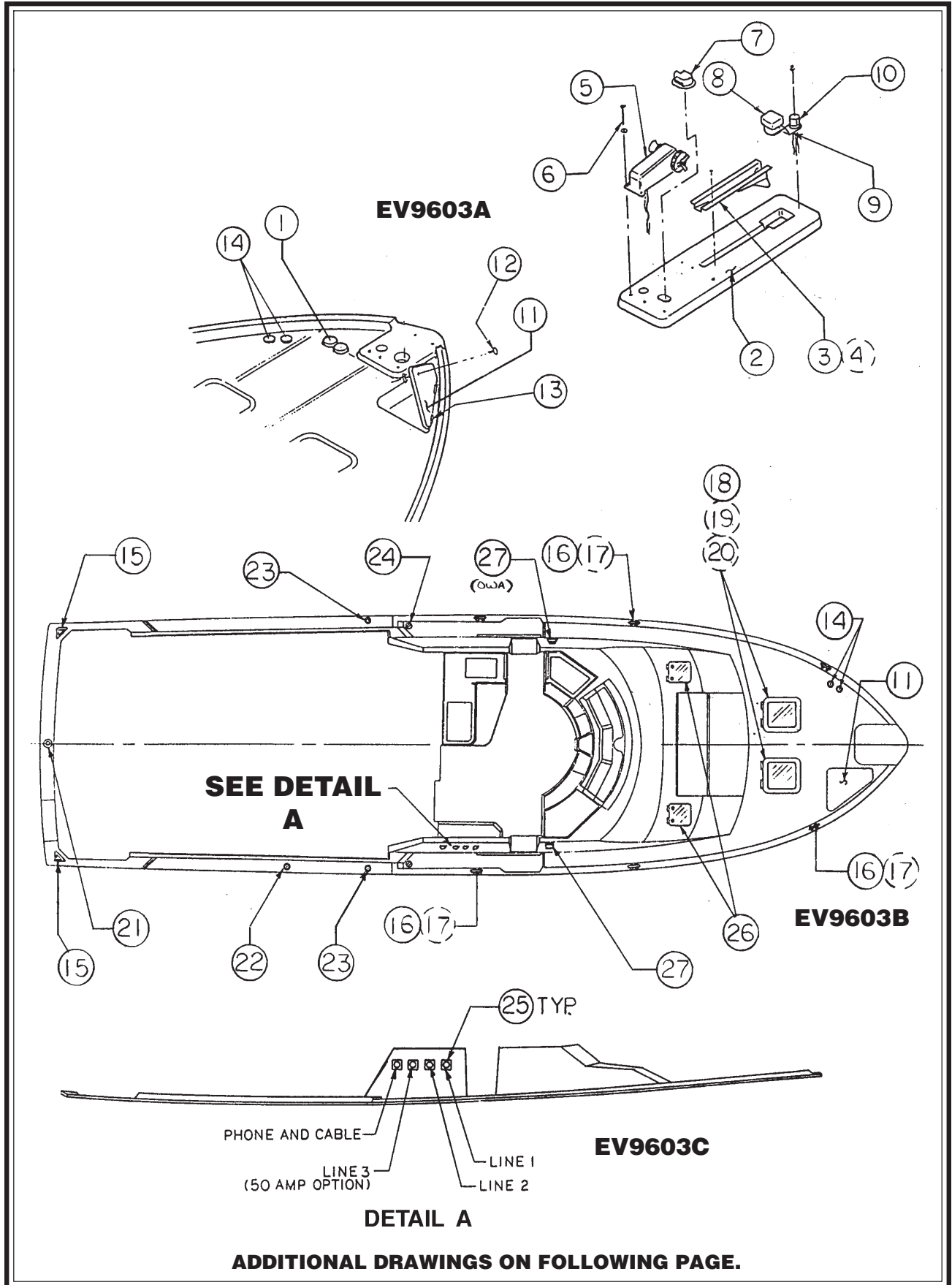
ITEM NO.	PART NUMBER	PART DESCRIPTION	U/M	QTY.
HULL EXT HARDWARE				
1	7540	TRIM TAB-18X12 3" FIN NO PUMP	ST	1
2	14302	TRIM TAB-12X18 W/PUMP+INTRNL FITNGS	EA	1
3	58798	ZINC ANODE 4" DIA X 1" X 3/8" HOLE	EA	4
4	14706	1" X 6" X 12" ZINC PLATE	EA	1
5	6183	3/8-16X5 HH BRONZE (LS)	EA	3
6	6184	3/8-16 HEX NUT BRONZE (LS)	EA	9
7	6185	3/8 FLATWASHER BRONZE (LS)	EA	12
*	33987	8"X17.5" OVAL PORTLIGHT	EA	11
8	4456	1/2" X 3 7/16" BOW EYE (RLED)	EA	2
9	13669	2" THRU-HULL WITH FLAPPER	EA	1
10	9456	12" 4-HOLE CLEAT	EA	2
11	9705	WASHDOWN OUTLET	EA	1
12	9392	1-1/2" THRU-HULL, CHR/BRNZ	EA	6
	85754	SWIM STEP/PLATFORM (COMPLETE ASSEMBLY)		
	EV05704	SWIM PLATFORM ONLY	EA	1
13	52683	SWIM PLATFORM STEP	EA	1
14	54243	HINGE BUTT 2X3 CHROME	PR	1
15	52694	SWIM PLATFORM HATCH	EA	1
16	52442	BLK RIGID RUBRAIL	FT	17
17	9923	SWIM PLATFORM BRACKETS	EA	4
*	53827	LABEL, BOARDING LADDER WARNING	EA	1
18	14732	AFT TRANSOM GRAB RAIL	EA	1
19	84086	SWIM STEP REST	EA	2
20	57283	SAFETY WALK -1-1/2" X 21"	EA	5
21	1703	TANK VENTS	EA	5
22	9388	5/8" THRU-HULL	EA	4
23	9389	3/4" THRU-HULL	EA	6
24	9390	1" THRU -HULL	EA	4
25	9392	1.5" THRU-HULL	EA	6
26	708	3/4" WHITE PLASTIC THRU-HULL (CHAIN LOCKER)	EA	1
27	315-1	CLAM SHELL (ROPE LOCKER DRAIN)	EA	1
* NOT SHOWN				
DRAWINGS ON FOLLOWING PAGE.				



DRAWINGS CONTINUED ON FOLLOWING PAGE

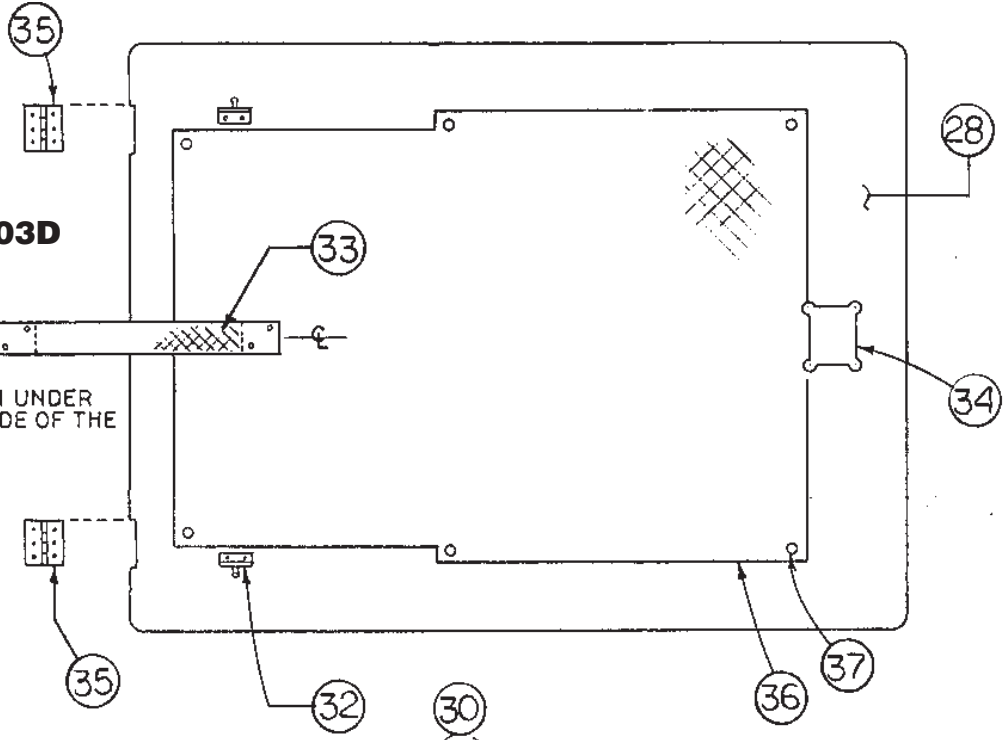


ITEM NO.	PART NUMBER	PART DESCRIPTION	U/M	QTY.
DECK HARDWARE				
1	36019	SAFETY DECK SWITCH	EA	2
2	88219	BOW PLATFORM	EA	1
3	52642	ANCHOR ROLLER	EA	1
4	14591	2-1/8" ANCHOR ROLLER	EA	1
5	12313	MUIR WINDLASS REVERSING	EA	1
6	54880	3/8-16 X 6-1/2 HH SS BOLT	EA	4
*	9674	WINDLASS BACKUP PLATE	EA	1
7	12580	WINDLASS HAWSE FITTING	EA	1
8	39918	REMOTE CONTROL SEARCHLIGHT	EA	1
9	52669	SEARCHLIGHT BRACKET	EA	1
10	14575	LARGE BOW LIGHT	EA	1
11	84092	CHAIN LOCKER LID	EA	1
12	55352	HATCH LIFT 2.250"LONG	EA	1
13	54243	HINGE BUTT 2X3 CHROME	PR	1
14	11993	WATER FILL FITTING, CHROME	EA	2
15	7959	CORNER MT HAWSE PLATE	EA	2
16	9456	12" 4 HOLE CLEAT	EA	10
17	10413	BACKING F/CLEAT #9456	EA	10
18	64491	20.25X20.25 NIBO LO-PROFILE HATCH	EA	2
19	13914-C	LARGE HATCH SCREEN	EA	2
20	56747	DREAM WHITE TRIM RING-2"FLANGE	EA	2
*	13169	COUNTERSINK WASHER - CLEAR	EA	8
*	35236	SNAP CAP-PUTTY	EA	8
21	9679	FLAG POLE SOCKET-FLUSH	EA	1
*	9855	FLAGSTAFF-TEAK 36"	EA	1
22	11995	DECK WASTE FITTING	EA	1
23	11994	DIESEL FUEL FITTING	EA	2
25	9819	POWER INLET, 30 AMP-125V	EA	3
26	13916	13.25X18.5 I/O NIBO LO-PROF HATCH	EA	2
27	52810	HEAD VENT, WHITE ABS	EA	1
28	EV2300102	COCKPIT HATCH ASSY	EA	3
29	62316	GAS SPRING F/HATCH ASSIST (60#)	EA	6
30	11887	PORT HATCH ASSIST BRACKET	EA	3
31	11888	STBD HATCH ASSIST BRACKET	EA	3
32	11889	HATCH ASSIST BASE STUD MT	EA	6
33	39906	2" BLACK NYLON WEBBING	YD	2
34	34911	COCKPIT HATCH LATCH	EA	3
35	54243	HINGE BUTT 2X3 CHROME	PR	3
36	58351	1" ACOUSTICAL FOAM W/PSA	SF	20
37	13469	WIND-LOCK PLATE (SECURES 58351)	EA	24
38	EV05716	TRANSOM DOOR ASSY	EA	1
39	60219	TRANSOM DOOR HINGE, 4X4	EA	2
40	10464	BARREL BOLT (FOR TRANSOM DOOR)	EA	1
41	54981	BARREL BOLT INSERT (FOR TRANSOM DOOR)	EA	1
42	1199 #1	DOOR HOOK (FOR TRANSOM DOOR)	EA	1
43	9304	SAFTY WALK (FOR TRANSOM DOOR THRESHOLD)	FT	2
*	10809	SMALL HATCH HLD W/L BRKT	EA	2
* NOT SHOWN				
DRAWING ON FOLLOWING PAGE.				

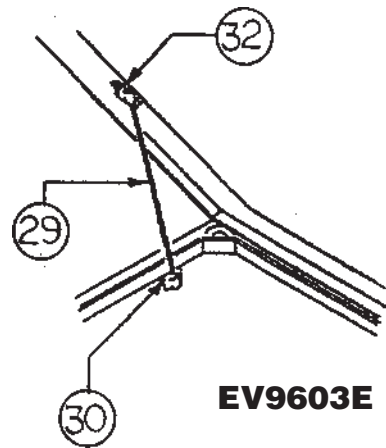
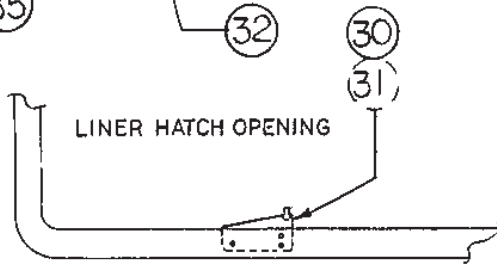


EV9603D

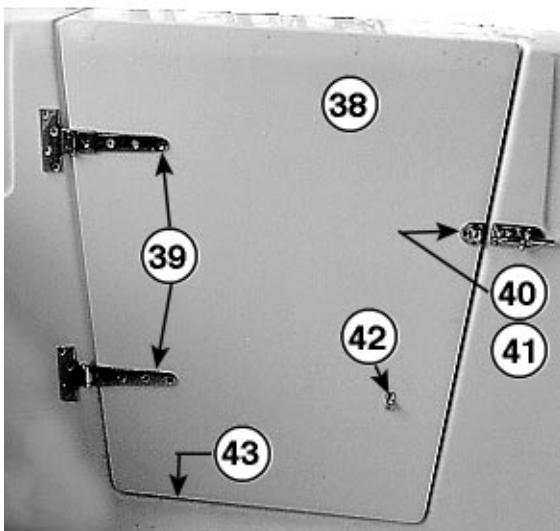
ATTACH UNDER
THE SIDE OF THE
LINER



LINER HATCH OPENING



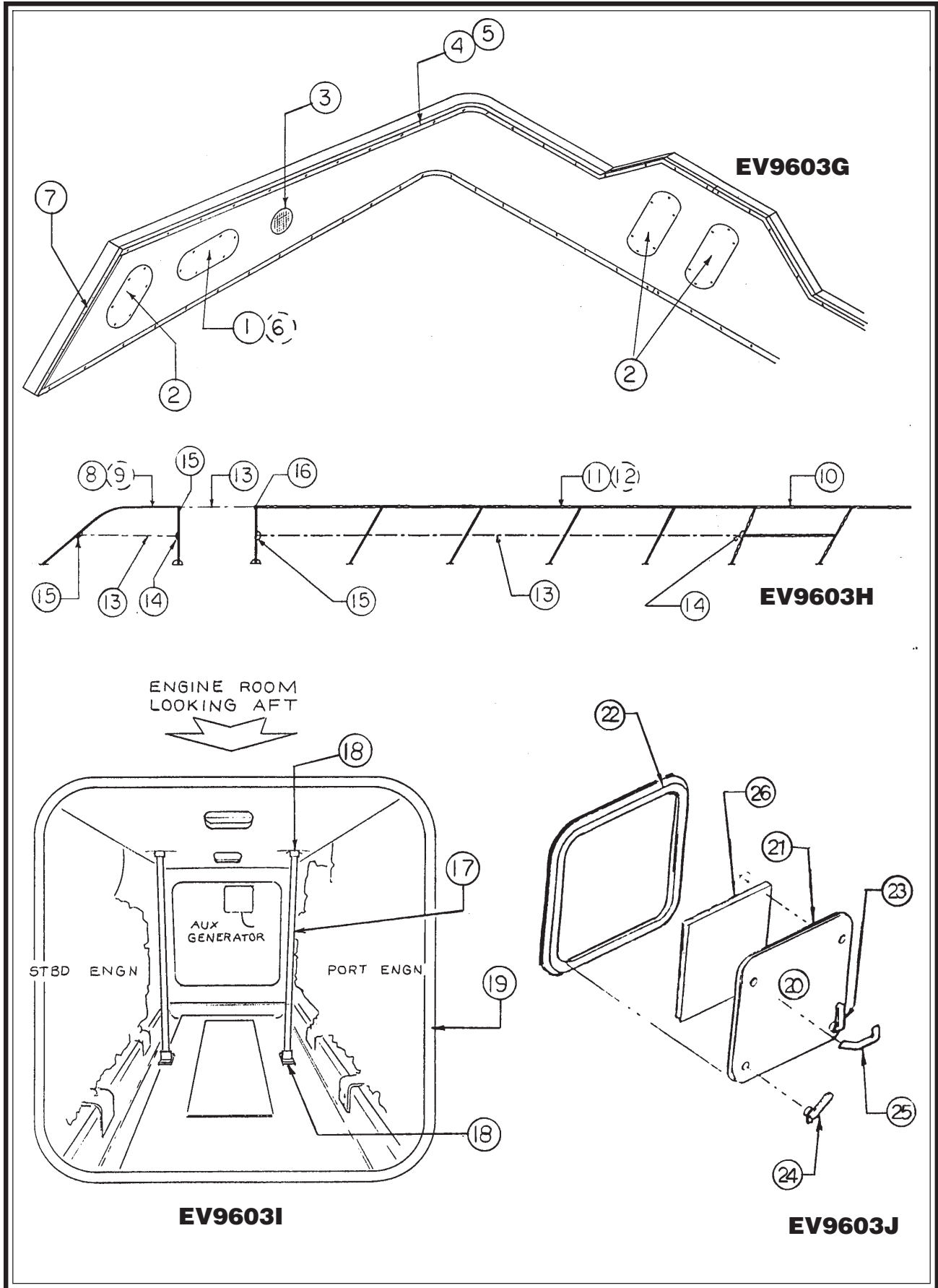
EV9603E



EV9603F

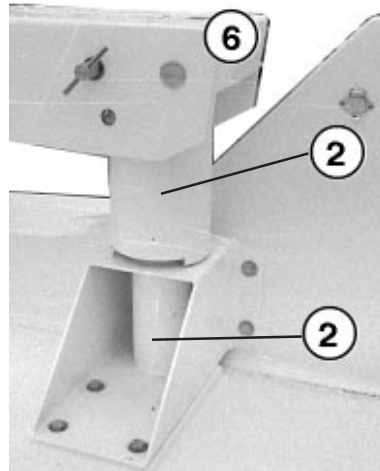
ITEM NO.	PART NUMBER	PART DESCRIPTION	U/M	QTY.
RADAR WING				
	85162	RADAR WING (COMPLETE ASSEMBLY)	EA	1
1	EV1760301	LIGHT COVER	EA	2
2	EV1760302	ACCESS COVER	EA	6
3	33065	SPEAKERS-WEATHER PROOF	PR	1
4	39864	RADARWING TRIM 10'	EA	2
5	39863	RADARWING TRIM 12'	EA	2
*	11903	3/8 X 4 HH SS ALL THREAD	EA	8
*	7880	1" HOLE PLUG WHITE PLASTIC	EA	12
*	10472	EDGE TRIM-WHITE	FT	17
6	39291	4.5" LIGHT ASSY F/RADAR WING	EA	2
*	52033	MAST LIGHT POLE	EA	1
7	38342	1/16 X 3/4 ALUM	FT	4
GUNNEL				
*	8159	10952LOX T4 12' D&C/S	EA	10
BOW RAIL ASSEMBLY (COMPLETE ASSEMBLY)				
8	55423	BOW RAIL HEEL AFT STBD	EA	1
9	55424	BOW RAIL HEEL AFT PORT	EA	1
10	55425	DOLPHIN NOSE	EA	1
11	55449	BOW RAIL HEEL FWD STBD	EA	1
12	55450	BOW RAIL HEEL FWD PORT	EA	1
13	321	WH LIFELINE 3/16 WIRE 5/16 OD CABLE	FT	48
14	12398	ADJUSTER 3/16"	EA	4
15	12397	TOGGLE JAW 3/16"	EA	6
16	12396	PELICAN HOOK 3/16"	EA	2
*	53778	FENDER RACKS	PR	1
MISC RAIL ASSEMBLIES				
17	EV2312202	ENGINE HATCH SUPPORT	EA	2
18	56573	90 DEG RECT BASE 1" SS (ENG HATCH SUPPORT)	EA	4
19	34892	28" X 28" ENGINE HATCH RING	EA	1
*	55597	ENGINE HATCH FLOOR SUPPORT 36"	EA	4
*	55598	ENGINE HATCH FLOOR SUPPORT 26 1/4"	EA	8
*	55599	ENGINE HATCH SUPPORT I-BEAM	EA	2
HATCH ASSEMBLY				
*	10463	CHROME LIFT HANDLE (SALON ENG. ACCESS)	EA	4
20	EV1100215	ENGINE ROOM ACCESS HATCH	EA	1
21	35961	EDGE BAND - 7/8" GLOSS WHITE	FT	18
22	34892	28"X28" HATCH RING	EA	1
23	34893	HATCH DOG (LEFT HAND)	EA	2
24	34894	HATCH DOG (RIGHT HAND)	EA	2
25	36273	GRAB HANDLE (BLACK PVC)	EA	1
26	58351	SOUND BOARD 1"	SF	5
* NOT SHOWN				

DRAWINGS ON FOLLOWING PAGE.

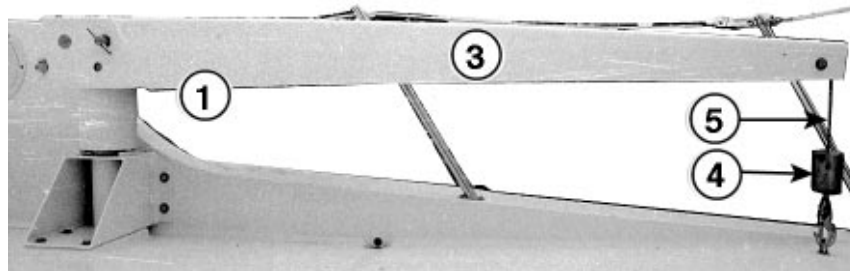


ITEM NO.	PART NUMBER	PART DESCRIPTION	U/M	QTY.
COMMAND BRIDGE HARDWARE				
1	55448	DAVIT 4788EV SYSTEM	EA	1
*	55510	ALUM TUBE 6061-T65H 4".0DX3.0"ID	FT	2
*	55473	BOLT HEX 1"-8 NC X 3" STAIN.STEEL	EA	1
*	55474	HEX NUT 1-8 NC STAIN.STEEL	EA	1
2	55448-D1	DAVIT BASE ASSEMBLY	EA	1
*	56235	DAVIT STOP	EA	1
SUB ASSY				
*	56152	6.75OD X 5.25ID 6061 T6511 TUBE	FT	1
*	55802	2.5" 6061-T65 ALUM PLATE	SF	1
*	56295	6"ODX3 1/2 ID NYLATRON GS	EA	1
3	55448-D2	DAVIT PIVOT ASSEMBLY	EA	1
*	56153	3/8-16 1 1/4 SOCKET HEAD CAP SS	EA	18
*	56257	THRUST BEARING	EA	2
*	56255	INNER LOWER BEARING	EA	1
*	56254	OUTER LOWER BEARING	EA	1
*	56253	UPPER BEARING	EA	1
*	56235	DAVIT STOP	EA	1
*	56258	.250 X 24" X 24" NYLATRON GS	EA	1
*	56256	NYLATRON G.S. 4.75 O.D.X3.5 I.D.	EA	1
SUB ASSY				
*	55508	DAVIT BEAM 4788 EV	EA	1
*	55623	1.0" ALUM.ROUND BAR 6061	FT	2
3	55448-D3	DAVIT BEAM ASSEMBLY	EA	1
*	56388	1/2 ALUM PLATE 5052 ALLOY	SF	2
4	55980	DAVIT WEIGHT	EA	1
5	56465	BRASS ROD 3.25 DIA (360 ALLOY)	FT	1
SUB ASSY				
*	55448-D4	WINCH MOTOR COVER	EA	1
SUB ASSY				
*	55626	DAVIT PIVOT PIN	EA	1
6	55625	DAVIT PULLEY	EA	1
*	55520	SNAP RING .906 I.D.X.078 THK	EA	1
*	55509	GAS SPRING SPD-6508 W BALL/CLIP	EA	2
*	55502	PULL PIN D16-91T SS	EA	1
*	55507	DAVIT WINCH V335R W/R	EA	1
*	56277	LABEL, DAVIT WARNING	EA	1
*	56224	SUPER LUBE- SYNTHETIC LUBE W/TEFLON	EA	1
*	56260	PIVOT WASHER	EA	2
*	56259	1X4-20X.25 S.S. CUP SET SCREW	EA	2
*	55836	DAVIT BUSHING 1.437 OD X 1.0 ID"SS	EA	10
*	56387	BRONZE BUSHING .75 .O.D.X.50 ID	EA	2
*	55816	BACKING PLATE DAVIT	EA	1
*	55907	CABLE BOOT	EA	1
*	56151	BACKING PLATE UPPER	EA	1
*	12784	CHOCKS FOR 9' BOSTON WHALER	ST	2
*	NOT SHOWN			
DRAWINGS ON FOLLOWING PAGE.				

4788 EV 1996

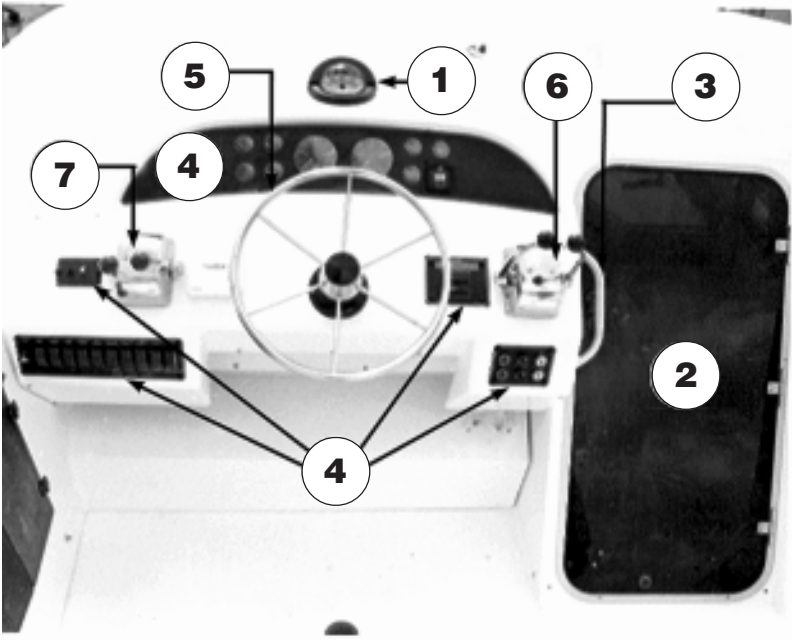


EV9604A



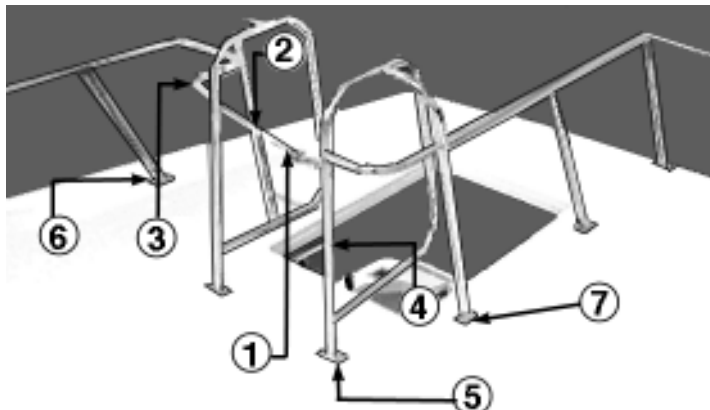
EV9604B

CONTINUED ON FOLLOWING PAGE

ITEM NO.	PART NUMBER	PART DESCRIPTION	U/M	QTY.
COMMAND BRIDGE HARDWARE cont'd				
*	14744	BOW EYE-3/8 X 3"	EA	1
*	52739	CUPHOLDER DUAL STACK W/DRAIN	EA	2
1	35978-A	COMPASS 4-1/2" SUPER SPORT W/PLUG	EA	1
*	12463	TWIN AIR HORN	EA	1
2	55427	DOOR (COMMAND BRIDGE)	EA	1
*	2816-1	CHROME EYE STRAP	EA	1
*	32244	1" BLACK NYLON WEBBING	YD	1
*	35286	SNAP BUCKLE BLACK	EA	1
*	56103	LADDER HATCH RING COM. BRIDG	EA	1
3	52841	GRAB RAIL	EA	1
4	55077-A	PANEL ASSY, DASH(REFER TO PAGE 32&33 FOR DASH DETAIL)	EA	1
5	61035	COMMAND BRIDGE STERING WHEEL,18"	EA	1
6	55297	TWIN SHIFTER (BLACK)	EA	1
7	55294	TWIN THROTTLE (RED)	EA	1
*	52682	SPOTLIGHT CONTROL FOR BRIDGE	EA	1
*	3361	DECK PLATE-8" WHITE	EA	2
*	1374	DECK PLATE 4" WHITE	EA	2
*	1221	#10 NYLON WASHER	C	3
*	9249	SCREW CAP WHITE	EA	30
* NOT SHOWN				
				
EV9604C				

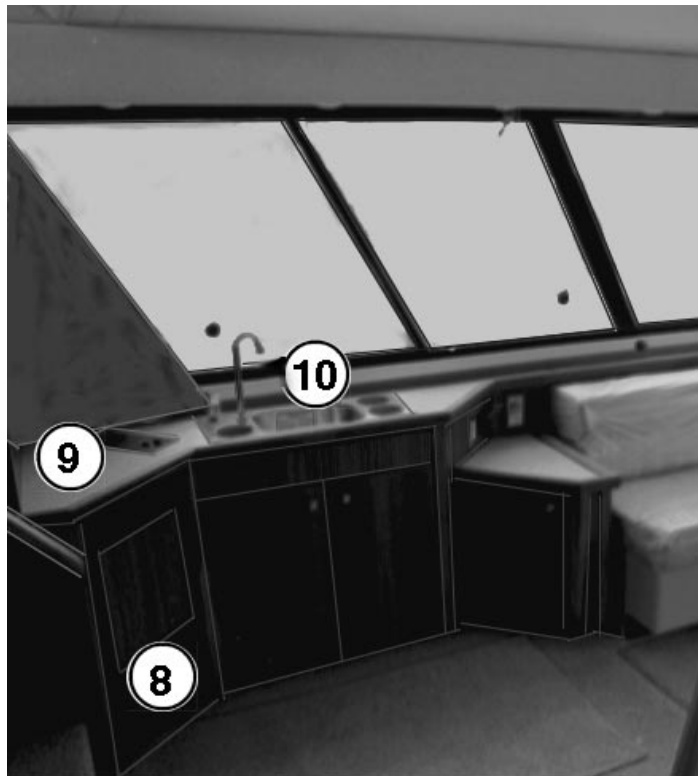
ITEM NO.	PART NUMBER	PART DESCRIPTION	U/M	QTY.
C/B CONSOLE & INSTRUMENTS				
*	11305	DAVIT SWITCH COVER	EA	1
*	84097P	STEREO CABINET DOOR, PORT	EA	1
*	84097S	STEREO CABINET DOOR, STBD	EA	1
*	59268	ELECTRONIC CABINET LID	EA	1
*	55317	KNOB, BRASS/CHROME	EA	2
*	36327	WHITE CATCH F/HATCH HINGE	EA	4
*	50134	PANEL BLANK, TRIM TAB SWITCH	EA	1
*	39411	OVERLAY WARNING OPERATOR	EA	1
*	59268	ELECTRONIC CABINET TOP - FOR EV C/B	EA	1
*	84098	CABINET DRIP RAIL	EA	1
*	4030	602 BLK HINGE	PR	3
*	10994	8 X 3/4 PPH BLK OX/SS	EA	24
COMMAND BRIDGE RAILS				
*	55439	HAND RAIL, AFT COMMAND BRIDGE	EA	2
*	55401	HAND RAIL, COMMAND BRIDGE	EA	2
1	12396	PELICAN HOOK 3/16"	EA	2
*	12397	TOGGLE JAW 3/16"	EA	6
*	12398	ADJUSTER 3/16"	EA	4
2	321	WH LIFELINE 3/16 WIRE 5/16 OD CABLE	FT	20
3	55794	STBD C/B LADDER RAIL	EA	1
4	55795	PORT C/B LADDER RAIL	EA	1
*	55546	EV C/B RAIL(PORT CENTER)	EA	1
*	55547	EV C/B RAIL (PORT AFT)	EA	1
*	55548	EV C/B RAIL (CENTER AFT)	EA	1
*	55549	EV C/B RAIL (PORT FWD)	EA	1
*	55791	EV C/B RAIL EYE PAD BASE	EA	1
*	55792	EV VENTURI RAIL- WELDED STAINLESS	EA	1
*	55793	EV C/B LADDER (WELDED)	EA	1
*	EV230010.01	C/B LADDER STEPS	EA	6
5	55796	EV C/B CENTER RAIL BASE (AFT)	EA	2
6	55797	EV C/B RAIL BASE	EA	3
*	55798	EV C/B RAIL BASE (STBD FWD)90DEG	EA	1
7	55799	EV C/B RAIL BASE (STBD AFT)30DEG	EA	1
*	55826	EV C/B RAIL (STBD FWD)	EA	1
*	3500	1/4X1 1/2 SS QCK RELS PIN	EA	3
*	52841	C/B GRAB RAIL	EA	1
* NOT SHOWN				

EV9604D



ITEM NO.	PART NUMBER	PART DESCRIPTION	U/M	QTY.
HULL INT ASSY HARDWARE				
*	9953	STATEROOM SLIDER ASSY	ST	1
1	58773	ELECT RANGE W/ROTISSERIE S/S TOP	EA	1
2	59496	GALLEY REFRIGERATOR (WAS#52611)	EA	1
*	60784	STRESS RELIEF FITTING	EA	1
*	36192	LOCK NUT F/36000	EA	1
3	9980	REFER VENT LARGE	EA	2
*	9577	WAL VAC WITH ACCY KIT	EA	1
*	12514	REPLACEMENT BAGS FOR VACUUM	PK	1
4	60811	TRASH COMPACTOR	EA	1
*	280-B	REPLACEMENT BAGS FOR TRASH COMPACTOR	PK	1
5	60802	MICROWAVE OVEN-BLACK (WAS#11455)	EA	1
6	55514	FAUCET SOLID ALMOND (GALLEY)	EA	1
7	53249	DOUBLE SINK	EA	1
8	673	ICE MAKER RECESSED	EA	1
9	1886	PWR UNIT & BLENDER	EA	1
10	12539	BAR SINK WITH FAUCET	EA	1
*	59665	HEATER-120V-750W-BLACK	EA	2
*	59666	HEATER-120V-750W-DREAM WHITE	EA	2
*	64669	THERMOSTAT FOR HEATER-WALL MOUNT	EA	4
*	12679	14X7 ALUM GRILLE	EA	2
*	55421	HEATER GRILL 7X14 WHITE PILOTHOUSE	EA	1
*	52726	HEATER GRILL 7 X 14 CAMEO	EA	1
*	55353	MIRROR 22"X64" AFT BERTH	EA	1
*	121	48"X2" BLACK STRAP	EA	2
*	2816-1	CHROME EYE STRAP	EA	2
*	10464	CHROME/BRNZ BARREL BOLT	EA	2
*	54981	BARREL BOLT INSERT	EA	2
*	1199 #1	HOOK DOOR SHORT	EA	5
*	60591-06	BLIND STBD PILOT PEARL SAND EV 94	EA	1
*	60591-07	BLIND PT PILOT PEARL SAND EV 94	EA	1
*	60591-08	BLIND STBD FWD SALON PEARL SAND	EA	1
*	60591-09	BLIND STBD AFT SALON PEAR SAND	EA	1
*	60591-10	BLIND PORT FWD SALON PEARL SAND	EA	1
*	60591-11	BLIND PORT AFT SALON PEARL SAND	EA	1
*	60591-13	BLIND PORT AFT BLKHD PEARL SAND	EA	1
*	60591-12	BLIND STBD AFT BLKHD PEARL SAND	EA	1
*	60591-01	BLIND AFT BERTH PEARL SAND	EA	1
*	60591-02	BLIND FWD HEAD PEARL SAND	EA	1
*	60591-03	BLIND MID BERTH PEARL SAND	EA	1
*	60591-04	BLIND PORT V-BERTH PEARL SAND	EA	1
*	60591-05	BLIND STBD V-BERTH PEARL SAND	EA	1
*	1374	DECK PLATE 4" WHITE	EA	1
* NOT SHOWN				

EV9606A



EV9606B

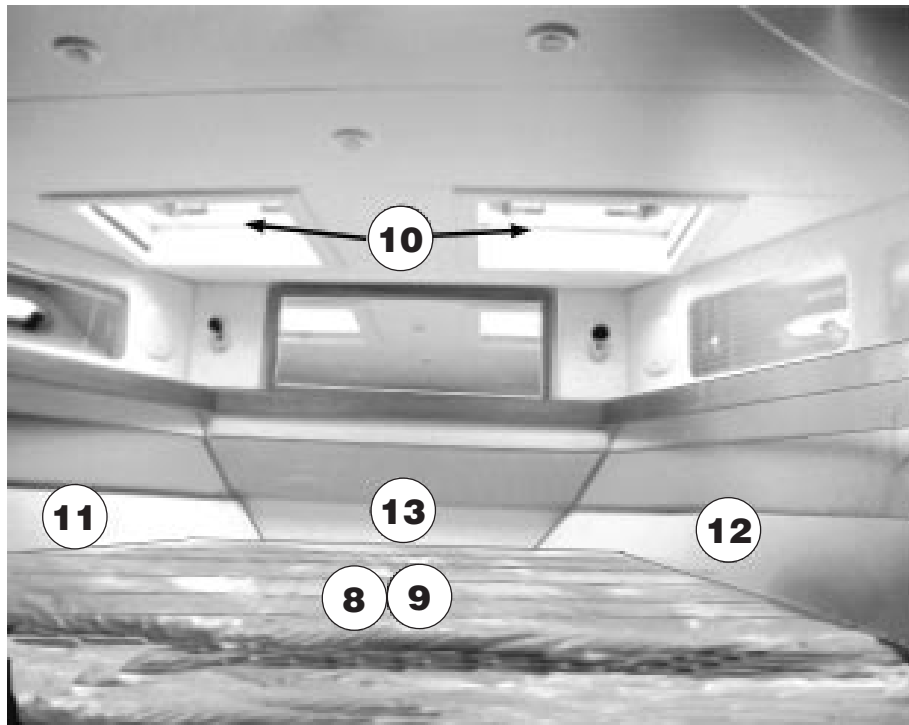
ITEM NO.	PART NUMBER	PART DESCRIPTION	U/M	QTY.
HELM CONSOLE				
*	4938	ROCKER SWITCH	EA	1
*	35978-A	COMPASS 4-1/2" SUPER SPORT W/PLUG	EA	1
*	8032	DEFROSTER FAN	EA	2
*	54801	PANEL,BLANK,PORT/LOWER	EA	1
*	58650	PANEL,BLANK,RADAR,STBD,LOWER	EA	1
*	S-271	5" X 16.625"X24"-DRAWER ASSEMBLY	EA	1
*	54803	PANEL,BLANK,SW./PORT/LOWER	EA	1
TABLE ASSEMBLY				
*	EV2311304	SALON COFFEE TABLE	EA	1
*	EV2311303	SALON TABLE ASSY	EA	1
*	EV2311303.01	SALON TABLE DROP LEAF	EA	2
*	55470	DINETTE TABLE POLISHED BRASS HINGE	EA	6
*	9970	TABLE COLUMN	EA	1
*	9971	TABLE BASE	EA	1
*	9972	TABLE SUPPORT BRACE	EA	1
*	EV2311811	PILOTHOUSE TABLE ASSY	EA	1
*	55246	TEAK-SEA RAIL	LF	16
*	13156	ROUND TABLE SUPPORT	EA	1
*	39730	TABLE BASE W/STUD	EA	1
*	39729	30" TABLE LEG W/THREADS & FLANGE	EA	1
*	254033	GRAB RAIL (PILOT HOUSE TO COMMAND BRIDGE)	EA	1
WOOD FOR DOOR MISC.				
*	84109	V-BERTH ENTRY DOOR	EA	1
*	EV2310407	MID BERTH BI-FOLD DOOR ASSY	EA	1
*	EV2310408	MID BERTH DOOR	EA	1
*	55543	DOOR STOP MID STATEROOM	EA	1
*	84106	AFT BERTH POCKET DOOR	EA	1
*	84107	AFT BERTH POCKET DOOR SLIDER	EA	1
*	55317	KNOB, BRASS/CHROME	EA	4
*	8046	#24 TEAK	LF	20
*	EV2370911	HALLWAY CABINET ACCESS DOOR, PORT	EA	1
*	EV2370901	HALLWAY CABINET ACCESS DOOR, STBD	EA	1
*	841	FLUSH RING PULL (HALLWAY CAB DOOR)	EA	2
*	36327	WHITE CATCH F/HATCH HINGE	EA	2
*	33979B-6-28	37.125 X 15.5 FROSTY WHITE DOOR (R/L)	EA	1
*	55457	MIRROR 12 3/4"X36 1/2"	EA	1
*	12228	CABNT HINGE W/BLK CAP	EA	2
*	12239	ANGLE BASEPLATE	EA	2
*	53498	SPACER FOR 12228 HINGE .125	EA	2
*	10809	SMALL HATCH HLD W/L BRKT	EA	1
*	84104	AFT HEAD DOOR	EA	1
*	55859	MIRROR 11-5/8X51-5/8 (AFT HEAD DOOR)	EA	1
*	84108	FWD HEAD DOOR	EA	1
*	55858	MIRROR 10X59-1/4 (FWD HEAD DOOR)	EA	1
*	34834	HALLWAY SLIDER DOORS, 3/16X21 1/4X17 3/8	EA	2
*	6982	BLK PLASTIC FINGER PULL	EA	2
COMMON DOOR HARDWARE				
*	3669	2X2 CHROME BUTT HINGE	EA	22
*	35734	LATCH SHIM BLK ABS W/ROVEL CAP	EA	4
*	10474	FLUSH RIM LATCH SET	EA	4
*	12394	RIMLATCH-REVERSIBLE (MID-BERTH)	EA	1
*	NOT SHOWN			

ITEM NO.	PART NUMBER	PART DESCRIPTION	U/M	QTY.
SALON UPHOLSTERY ASSEMBLY				
1	86547	FWD O/B SALON CUSH.	EA	1
2	86548	FWD O/B SALON BACK	EA	1
3	86553	MID -FWD O/B SALON CENTER	EA	1
4	86549	AFT OUTBD-AC CUSH	EA	1
5	86550	AFT OUTBD BACK	EA	1
6	86551	AFT INBD CUSHION	EA	1
7	86552	OUTBD CORNER SALON BACK	EA	1
*	60826	CLUB CHAIR SALON,ZAPIER # 63	EA	2
HELM SEAT				
*	60963	INTERIOR HELM SEAT, TRUFFLE	EA	1
PILOT HOUSE UPHOLSTERY(DESTINY TRUFFLE #60579)				
*	86554	PILOT HOUSE AFT I/B CUSH	EA	1
*	86555	PILOT HOUSE AFT I/B CUSH	EA	1
*	86556	PILOT HOUSE OUTBD -A O/B CUSH	EA	1
*	86557	PILOT HOUSE OUTBD-A O/B CUSH	EA	1
*	86558	PILOT HOUSE CUSHION-F I/B CUSH	EA	1
*	86559	PILOT HOUSE BACK-F I/B BACK	EA	1
*	86560	PILOT HOUSE CUSHION-WALK WAY CUSH	EA	1
*	86561	PILOT HOUSE BACK-WALK WAY BACK	EA	1
*	86562	PILOT HOUSE PORT DASH PAD	EA	1
*	86563	PILOT HOUSE STBD DASH PAD	EA	1
*	86564	PILOT HOUSE DASH CHART BOARD COVERING	EA	1
V-BERTH UPHOLSTERY				
8	86565	MATTRESS	EA	1
9	86566	V-BERTH COMFORTER	EA	1
*	86571	PILLOW SHAMS	EA	2
10	86567	OVERHEAD SLIDER BOARD	EA	2
*	54302	LATCH CATCH	FT	16
*	31054	T-TRIM 11/16" LT BEIGE	FT	16
*	55317	KNOB, BRASS/CHROME	EA	2
11	86568	V-BERTH HEADBOARD,PORT	EA	1
12	86569	V-BERTH HEADBOARD,STBD	EA	1
13	86570	V-BERTH HEADBOARD,CENTER	EA	1
AFT BERTH UPHOLSTERY				
*	86572	AFT BERTH HEADBOARD PAD	EA	1
*	86573	AFT BERTH MATTRESS	EA	1
*	86574	AFT BERTH COMFORTER	EA	1
*	86575	AFT BERTH BUNK PAD	EA	1
*	86579	PILLOW SHAMS	EA	2
*	86576	MID BERTH BUNK, UPPER	EA	1
*	86577	MID BERTH BUNK MATTRESS/SEAT CUSHION	EA	1
*	86578	MID BERTH BUNK PAD	EA	1
* NOT SHOWN				
NOTE: FOR UPHOLSTERY SKINS, ORDER PART # -1. EX. 86547-1 A/B MATTRESS SKIN.				
REFER TO DRAWING ON FOLLOWING PAGE				

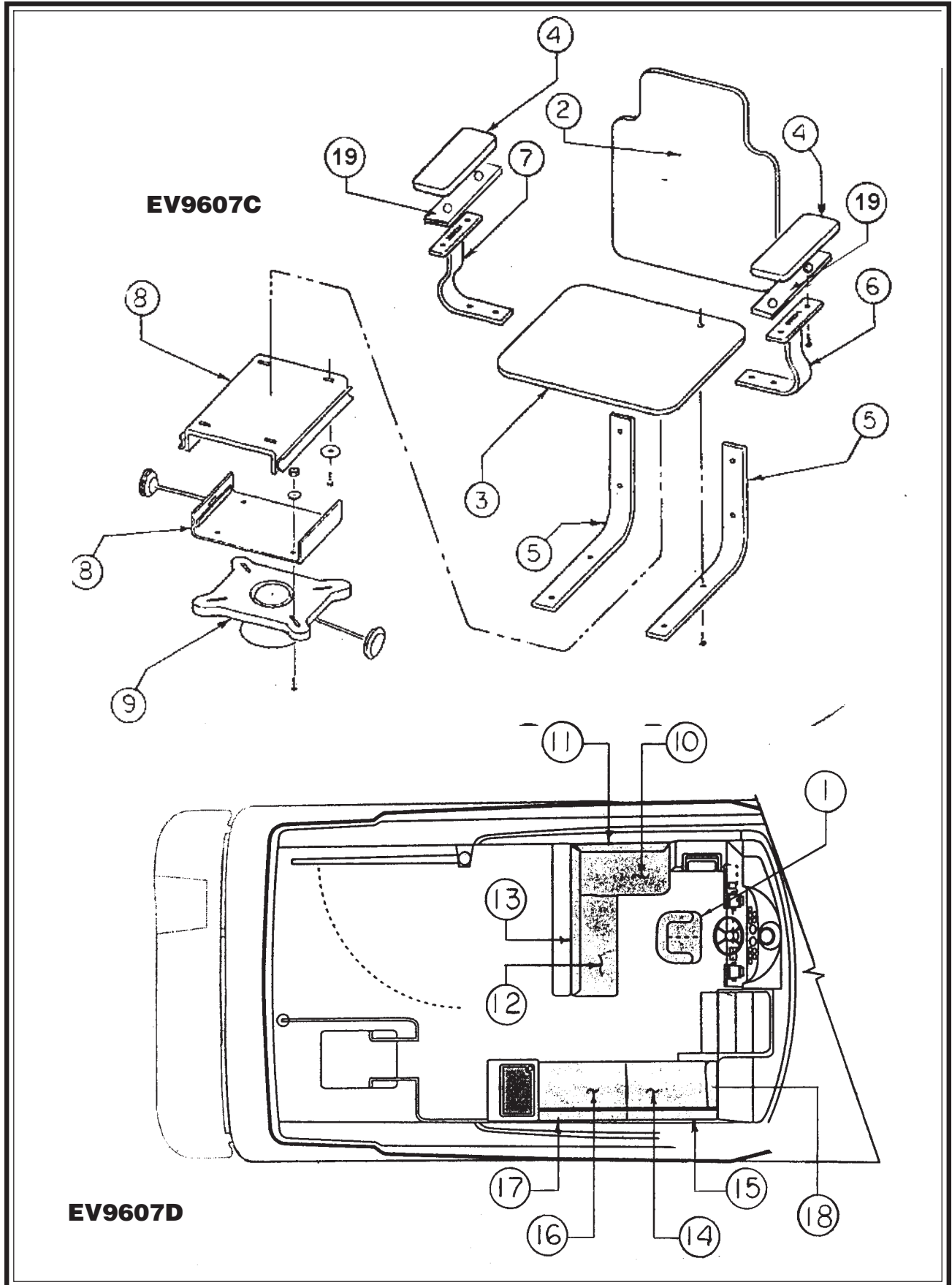
EV9607A



EV9607B



ITEM NO.	PART NUMBER	PART DESCRIPTION	U/M	QTY.
NOTE: EXTERIOR WHITE VINYL HAS CHANGED. PLEASE CONTACT YOUR USM PARTS REPRESENTATIVE FOR HULL NUMBER INFORMATION WHEN ORDERING EXTERIOR PARTS MADE WITH WHITE VINYL. NEW PARTS ADD (A) TO PART NUMBER. REFERENCE A039-96ECN. [EN10/PF11/PF5]				
C/BRIDGE HELM SEAT HARDWARE (YACHT WHITE VINYL)				
1	86534(A)	HELM SEAT ASSEMBLY (COMPLETE)	EA	1
2	86580(A)	HELM SEAT BACK	EA	1
3	86581(A)	HELM SEAT CUSHION	EA	1
4	58242	YACHT HELM CHAIR ARM REST	EA	2
5	56170	HELM SEAT BACK BRACE	EA	2
6	56171	HELM SEAT ARMREST BRACE (LEFT)	EA	1
7	56172	HELM SEAT ARMREST BRACE (RIGHT)	EA	1
8	35723	EXTRUDED ALUM SEAT BASE-13 1/4 X10	EA	1
9	51874	SEAT SWIVEL W/ 6" KNOB	EA	1
19	58512	YACHT HELM CHAIR ARM REST B/COVER	EA	2
*	61667	BACK PLATE	EA	1
*	61681	20" PEDASTAL	EA	1
*	61666-L	SWIVEL SLIDER	EA	1
87200(A) COMMAND BRIDGE LOUNGE ASSY (YACHT WHITE VINYL)				
10	86582(A)	PORT OUTBD C/B CUSHION	EA	1
11	86583(A)	PORT OUTBD C/B BACK	EA	1
12	86584(A)	PORT CUSHION, AFT	EA	1
13	86585(A)	PORT BACK, AFT	EA	1
14	86586(A)	STBD CUSHION, FWD	EA	1
16	86587(A)	STBD CUSHION, AFT	EA	1
17	86588(A)	STBD BACK, AFT	EA	1
18	86589(A)	STBD FWD BACKREST	EA	1
87201(A) FOREDECK CUSHION ASSY				
*	86590(A)	FOREDECK CUSHION	EA	1
*	86591(A)	FOREDECK BACK	EA	1
*	53958	STUD—FASNAP	EA	7
*	53957	SOCKET—FASNAP	EA	7
*	53959	CAP—FASTSNAP	EA	7
*	14953	SNAP CAP-WHITE	EA	7
100050(A) AFT COCKPIT PAD ASSEMBLY				
*	86592(A)	PORT COCKPIT PAD	EA	1
*	86593(A)	STBD COCKPIT PAD	EA	1
*	86594(A)	AFT COCKPIT PAD	EA	1
V/B BUNK RISER ASSY				
*	36895	HATCH HINGE 1/2" BUTTERFLY ALUM.	EA	1
*	S-267	DRAWER ASSY 12 5 3/8 X 5	EA	6
*	12806-0-41	8.000 X 17.000 5/8" TEAK PLY (DRWR FACE)	EA	9
*	12806-3-17	11.750 X 13.750 5/8" TEAK PLY (SIDE STRG DOOR)	EA	2
*	55317	KNOB, BRASS/CHROME	EA	11
*	12228	CABNT HINGE W/BLK CAP	EA	4
*	12239	ANGLE BASEPLATE	EA	4
*	53498	SPACER FOR 12228 HINGE	EA	4
*	6199	NYLATCH ROLL CATCH W/STKR	EA	8
REMOVEABLE CARPET RUNNERS				
*	63531	CARPET RUNNER KIT, (COCKPIT) EV 96	KT	1
*	81	SNAP BUTTON	EA	19
*	82	SNAP SOCKET	EA	19
*	86	SNAP STUD	EA	19
THROW PILLOW ASSEMBLIES				
*	60829	PILLOW, CLAMO	EA	4
*	60830	PILLOW, ADOBE	EA	6
* NOT SHOWN DRAWINGS ON FOLLOWING PAGE.				
NOTE: FOR UPHOLSTERY SKINS, ORDER PART # -1. EX. 86582-1 PORT LOUNGE CUSHION SKIN.				



ITEM NO.	PART NUMBER	PART DESCRIPTION	U/M	QTY.
HULL INT LABELS				
*	13237	STARBOARD ENGINE LABEL	EA	1
*	OIL DEC	OIL DISCHARGE DECAL	EA	7
*	13884	STBD ALTERNATOR LABEL	EA	1
*	13230	WATER LABEL	EA	1
*	13236	PORT ENGINE LABEL	EA	1
*	31941	AC VOLT/FREQUENCY LABEL	EA	1
*	52340	HIGH VOLTAGE WARNING LABEL	EA	1
*	48034	USM SUBASSY QUALITY DECAL	EA	1
*	39331	GARBAGE DISCHARGE PLACARDS	EA	1
*	13121	BELT & PULLEY WARNING LABEL	EA	7
HULL EXT TAPES & LABELS				
*	8033	MARINE CORE LABEL	EA	1
*	11024	SLING LABEL	EA	4
*	55662	LABEL,USM THANKS/5YEAR/NMMA CLEAR	EA	1
DECK TAPES & LABELS				
*	13254	LINE 1 LABEL	EA	1
*	13255	LINE 2 LABEL	EA	1
*	13256	LINE 3 LABEL	EA	1
*	55461	YACHT NAME STRIPE	FT	40
*	31796	PREHEAT LABEL	EA	1
*	1959	BLOWER LABEL	EA	1
*	55462	BAYLINER LOGO - RAISED PROFILE	EA	2
*	55463	YACHT LOGO	EA	2
*	62978	LABEL, YACHT CERTIFICATION (EBO-GAS)	EA	1
*	62978D	LABEL, YACHT CERTIFICATION, (ELI-DIESEL)	EA	1
*	62978D	LABEL, YACHT CERTIFICATION, (EL2-DIESEL)	EA	1
C/B TAPES & LABELS				
*	55464	4788 LOGO	EA	2
*	55460	CIRCLE EMBLEM '95	EA	2
* NOT SHOWN				

ITEM NO.	PART NUMBER	PART DESCRIPTION	U/M	QTY.
*	60756	VENTURI WINDSHIELD EV	EA	1
	60756-XC	CENTER PANEL ASSY	EA	1
*	60756-01	CENTER PANEL GLASS EV VENTURI 1/8GN	EA	2
*	6618	1/8X3/4X20 FT W/S TAPE 50CS	RL	1
*	50113	CURVED GLAZING VINYL-MAXUM (300/RL)	FT	18
*	5735	VNYL VTR-267 RGD BLK (840'/BOX)	FT	2
*	55861	GLAZING VINYL 1/8 MECH. SHALLOW	FT	2
	60756-XJ	PORT WING SECT I VENTURI	EA	1
*	60756-02	PLEX CORNER 2111 GRN EV VENTURI 1/8	EA	1
*	60756-04	WING PANEL GLASS EV VENTURI 1/8 GN	EA	1
*	50113	CURVED GLAZING VINYL-MAXUM (300/RL)	FT	14
*	5735	VNYL VTR-267 RGD BLK (840'/BOX)	FT	3
*	55861	GLAZING VINYL 1/8 MECH. SHALLOW	FT	3
*	6618	1/8X3/4X20 FT W/S TAPE 50CS	RL	1
	60756-XN	STBD WING SECT I (FWD) VENTURI	EA	1
*	60756-02	PLEX CORNER 2111 GRN EV VENTURI 1/8	EA	1
*	60756-04	WING PANEL GLASS EV VENTURI 1/8 GN	EA	1
*	50113	CURVED GLAZING VINYL-MAXUM (300/RL)	FT	14
*	5735	VNYL VTR-267 RGD BLK (840'/BOX)	FT	3
*	6618	1/8X3/4X20 FT W/S TAPE 50CS	RL	1
		KITS		
*	60968	SHIM EV VENTURI WING	EA	2
*	55861	GLAZING VINYL 1/8 MECH. SHALLOW	FT	3
*	NOT SHOWN			

ITEM NO.	PART NUMBER	PART DESCRIPTION	U/M	QTY.
WINDSCREEN & FASTENERS				
*	55478	VENTURI BRACE PORT	EA	1
*	55479	VENTURI BRACE CENTER	EA	1
*	55480	VENTURI BRACE STBD	EA	1
*	55481	WINDSCREEN VENTURI PORT WING	EA	1
*	55482	WINDSCREEN VENTURI PORT FRONT	EA	1
*	55483	WINDSCREEN VENTURI STARB FRONT	EA	1
*	55484	WINDSCREEN VENTURI STARB WING	EA	1
*	5819	RUBR GRMT F/KNOB	EA	28
WINDSHIELD SYSTEM				
*	57352	WINDSHIELD SYSTEM 4788EV	EA	1
	54831-XB	PORT CENTER FRONT PANEL	EA	1
*	54831-03	PORT/STBD CENTER FRONT GLASS CLEAR	EA	1
*	9109	YACHT FRONT PANEL VINYL 70 DUR	FT	13
*	52850	5/16 ROUND BUTYL	FT	13
	54831-XC	CENTER PANEL	EA	1
1	54831-01	CENTER PANEL GLASS (CLEAR) EV	EA	1
*	9109	YACHT FRONT PANEL VINYL 70 DUR	FT	13
*	52850	5/16 ROUND BUTYL	FT	13
	54831-XD	STBD CENTER FRONT PANEL	EA	1
3	54831-03	PORT/STBD CENTER FRONT GLASS CLEAR	EA	1
*	9109	YACHT FRONT PANEL VINYL 70 DUR	FT	13
*	52850	5/16 ROUND BUTYL	FT	13
	57352-XF	PORT FRONT PANEL	EA	1
2	57352-02	PORT/STBD FRONT GLASS CLEAR EV	EA	1
*	9109	YACHT FRONT PANEL VINYL 70 DUR	FT	11
*	52850	5/16 ROUND BUTYL	FT	11
	54831-XG	PORT WING SECT III	EA	1
7	8585-7	WDSH GLASS	EA	1
8	8585-8	WDSH GLASS	EA	1
*	5740	DEEP STAN-PRO FLOX SNG	FT	22
*	5741	SHALLOW STAN PRO FLOX SNG	FT	12
*	11100-XU	WINDOW KNOB ASSY KIT U.O.M.	KT	2
*	5745-XU	SLIDER LOCK ASSY LEFT KIT	KT	1
*	5743	AMESBURY PILE GRAY	FT	7
	57352-XH	STBD FRONT PANEL	EA	1
2	57352-02	PORT/STBD FRONT GLASS CLEAR EV	EA	1
*	9109	YACHT FRONT PANEL VINYL 70 DUR	FT	11
*	52850	5/16 ROUND BUTYL	FT	11
*	NOT SHOWN			
CONTINUED ON FOLLOWING PAGE. REFER TO DRAWING ON PAGE 281				

ITEM NO.	PART NUMBER	PART DESCRIPTION	U/M	QTY.
	54831-XI	PORT WING SECT IV		
7	8585-7	WDSH GLASS	EA	1
8	8585-8	WDSH GLASS	EA	1
15	5740	DEEP STAN-PRO FLOX SNG	FT	22
16	5741	SHALLOW STAN PRO FLOX SNG	FT	12
*	11100-XU	WINDOW KNOB ASSY KIT U.O.M.	KT	2
*	5745L-XU	SLIDER LOCK ASSY LEFT U.O.M. KIT	KT	1
17	5743	AMESBURY PILE GRAY	FT	7
	57352-XJ	PORT WING SECT I (FWD)		
4	57352-04	SECTION I WING GLASS GRAY EV	EA	1
19	9109	YACHT FRONT PANEL VINYL 70 DUR	FT	10
20	52850	5/16 ROUND BUTYL	FT	10
	54831-XL	PORT WING SECT II (AFT)		
5	54831-05	SECTION II FWD WING GLASS GRAY	EA	1
6	54831-06	SECTION II AFT WING GLASS GRAY	EA	1
15	5740	DEEP STAN-PRO FLOX SNG	FT	10
16	5741	SHALLOW STAN PRO FLOX SNG	FT	12
*	11100-XU	WINDOW KNOB ASSY KIT U.O.M.	KT	2
*	5745L-XU	SLIDER LOCK ASSY LEFT U.O.M. KIT	KT	1
17	5743	AMESBURY PILE GRAY	FT	4
	57352-XN	STBD WING SECT I (FWD)		
4	57352-04	SECTION I WING GLASS GRAY EV	EA	1
19	9109	YACHT FRONT PANEL VINYL 70 DUR	FT	10
20	52850	5/16 ROUND BUTYL	FT	10
		STBD WING SECT II		
5	54831-05	SECTION II FWD WING GLASS GRAY	EA	1
6	54831-06	SECTION II AFT WING GLASS GRAY	EA	1
15	5740	DEEP STAN-PRO FLOX SNG	FT	10
16	5741	SHALLOW STAN PRO FLOX SNG	FT	12
*	11100-XU	WINDOW KNOB ASSY KIT U.O.M.	KT	2
*	8462	.194X.625X.125 BLK WASHER	EA	2
*	5745R-XU	SLIDER LOCK ASSY RIGHT KIT U.O.M.	KT	1
17	5743	AMESBURY PILE GRAY	FT	4
*	NOT SHOWN			

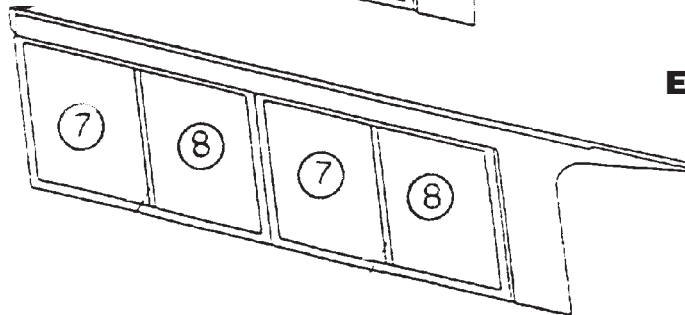
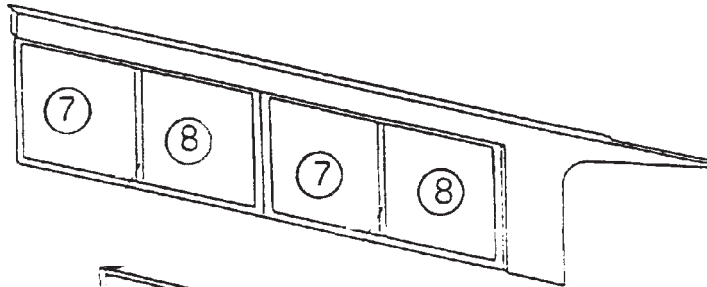
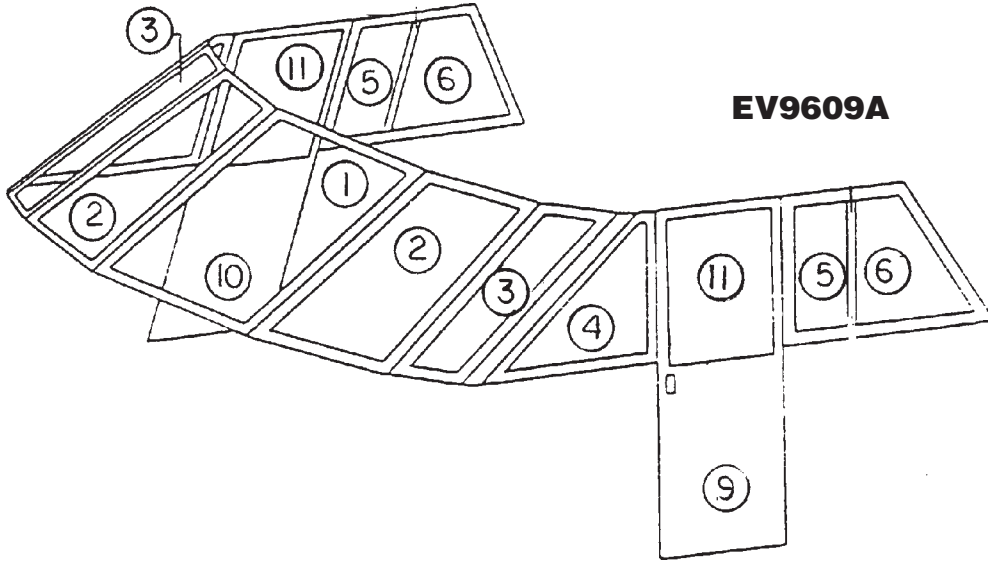
CONTINUED ON FOLLOWING PAGE. REFER TO DRAWING ON PAGE 28

ITEM NO.	PART NUMBER	PART DESCRIPTION	U/M	QTY.
	54831-XO	STBD WING SECT III		
7	8585-7	WDSH GLASS	EA	1
8	8585-8	WDSH GLASS	EA	1
15	5740	DEEP STAN-PRO FLOX SNG	FT	22
16	5741	SHALLOW STAN PRO FLOX SNG	FT	12
*	11100-XU	WINDOW KNOB ASSY KIT U.O.M.	KT	2
*	5745R-XU	SLIDER LOCK ASSY KIT RIGHT	KT	1
17	5743	AMESBURY PILE GRAY	FT	7
	54831-XR	STBD WING SECT IV		
7	8585-7	WDSH GLASS	EA	1
8	8585-8	WDSH GLASS	EA	1
15	5740	DEEP STAN-PRO FLOX SNG	FT	22
16	5741	SHALLOW STAN PRO FLOX SNG	FT	12
*	11100-XU	WINDOW KNOB ASSY KIT U.O.M.	KT	2
*	5745R-XU	SLIDER LOCK ASSY KIT RIGHT	KT	1
17	5743	AMESBURY PILE GRAY	FT	7
		WINDOW SCREEN ASSY		
*	54831-XS3S	SECT III SCREEN, STBD	EA	1
*	54831-XS3P	SECT III SCREEN, PORT	EA	1
*	54831-XS4S	SECT IV SCREEN, STBD	EA	1
*	54831-XS4P	SECT IV SCREEN, PORT	EA	1
		RADIUS BAR		
*	54890	RADIUS BAR PORT (EV)	EA	1
*	54889	RADIUS BAR STARB EV	EA	1
		KITS		
*	8462	.194X.625X.125 BLK WASHER	EA	50
*	52850	5/16' ROUND BUTYL TAPE	RL	
*	55500	PORT PILOTHOUSE SIDE WINDSHIELD CAP	EA	2
*	55501	STBD PILOTHOUSE SIDE WINDSHIELD CAP	EA	2
*	38013	DOOR STOP 1"	EA	1
*	39642	CATCH BLOCK	EA	1
*	39620	2-3/4" CABINET CATCH	EA	1
*	NOT SHOWN			

CONTINUED ON FOLOWING PAGE REFER TO DRAWING ON PAGE 24

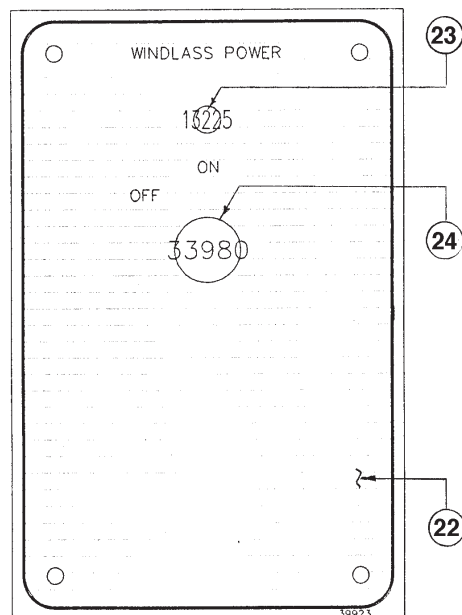
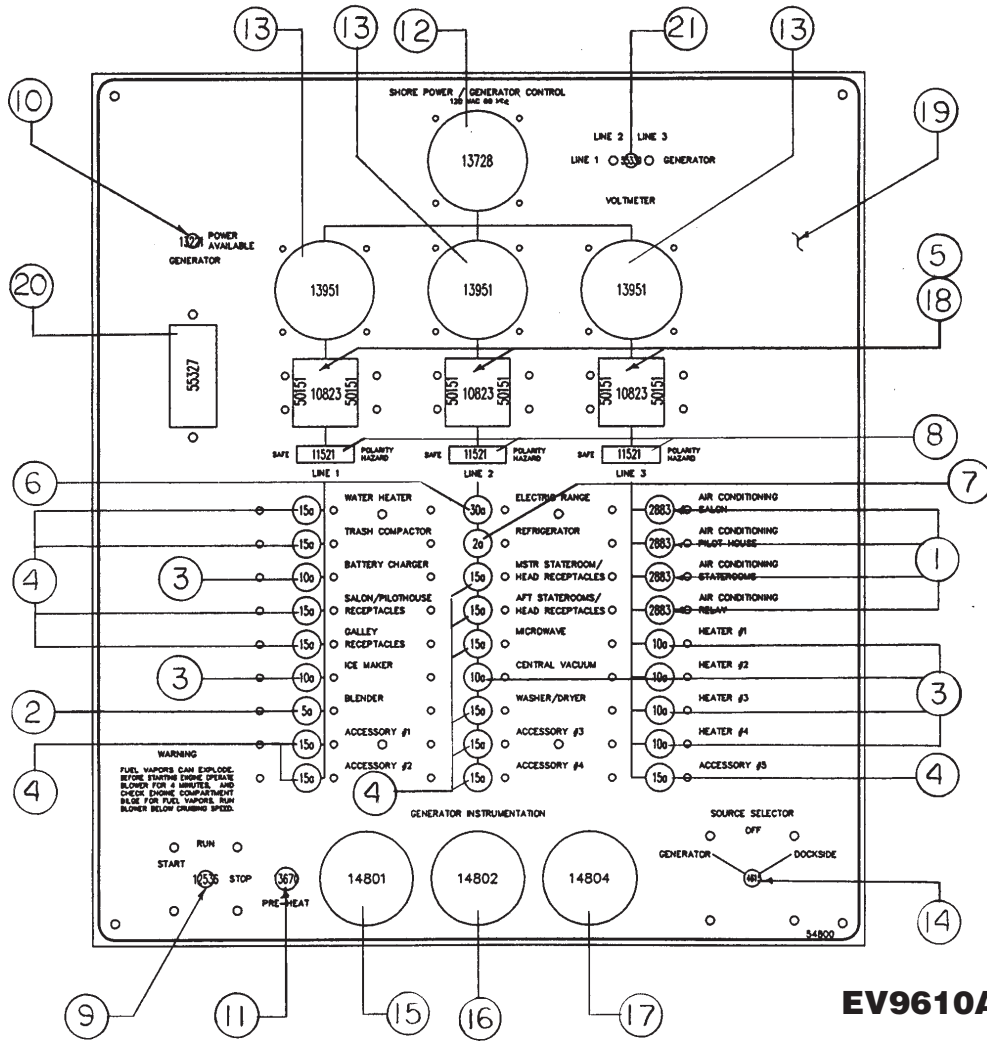
ITEM NO.	PART NUMBER	PART DESCRIPTION	U/M	QTY.
10	55388	STBD PILOT HOUSE DOOR 47 EV	EA	1
11	54932-20	PILOT HOUSE DOOR GLASS	EA	1
*	55389	19X36.37X.250 SHEAR PLATE	EA	1
*	55313	PILOT HOUSE DOOR CAR/TRK (EV)	EA	1
*	9109	YACHT FRONT PANEL VINYL 70 DUR	FT	17
*	9415	FOAM EXTRUSION W/BUTYL 1/4X 56	FT	8
*	36841	DOOR LATCH KIT	EA	1
*	37753	STRIKE F/36841 & 36842	EA	2
*	38473	LATCH TRIM	EA	1
*	11531	6-32 X 1/4 PPH BLACK OX/SS	EA	4
*	9338	PILOT HOUSE DOOR SEAL GRAY	FT	12
*	55394	DOOR BRIDGE BLOCK	EA	2
*	62630	ALUMI. DOOR LOCK SET (3)KEYED	EA	1
9	54932	PORT PILOT HOUSE DOOR 47 EV	EA	1
11	54932-20	PILOT HOUSE DOOR GLASS	EA	1
*	55389	19X36.37X.250 SHEAR PLATE5052	EA	1
*	55313	PILOT HOUSE DOOR CAR/TRK (EV)	EA	1
*	9109	YACHT FRONT PANEL VINYL 70 DUR	FT	17
*	9415	FOAM EXTRUSION W/BUTYL 1/4X 56	FT	8
*	36841	DOOR LATCH KIT	EA	1
*	37753	STRIKE F/36841 & 36842	EA	2
*	38473	LATCH TRIM	EA	1
*	11531	6-32 X 1/4 PPH BLACK OX/SS	EA	4
*	9338	PILOT HOUSE DOOR SEAL GRAY	FT	12
*	55394	DOOR BRIDGE BLOCK	EA	2
*	62630	ALUMI. DOOR LOCK SET (3)KEYED	EA	1
*	55393	BLK URE IF 2014 UPPER PILOT DOOR EV	EA	1
*	55392	WHT URE IF 0909 LOWER PILOT DOOR EV	EA	1
*	38013	DOOR STOP 1"	EA	2
*	39642	CATCH BLOCK	EA	2
*	39620	2-3/4" CABINET CATCH	EA	2
*	55521-J1	DOOR JAM ASSY PILOT HOUSE UPR PORT	EA	1
*	5743	AMESBURY PILE GRAY	FT	7
*	9338	PILOT HOUSE DOOR SEAL GRAY	FT	7
*	55521-J2	DOOR JAM PILOT HOUSE LOWER PORT	EA	1
*	5743	AMESBURY PILE GRAY	FT	4
*	9338	PILOT HOUSE DOOR SEAL GRAY	FT	4
*	55522-J1	DOOR JAM ASSY PILOT HOUSE STBD UPER	EA	1
*	5743	AMESBURY PILE GRAY	FT	7
*	9338	PILOT HOUSE DOOR SEAL GRAY	FT	7
*	55522-J2	DOOR JAM ASSY PILOT HOUSE STBD LOWR	EA	1
*	5743	AMESBURY PILE GRAY	FT	4
*	9338	PILOT HOUSE DOOR SEAL GRAY	FT	4
*	55606	CAP-WHITE PILOTHOUSE DOOR TRIM	EA	8
*	55601	PORT WINDOW POST EDGE TRIM	EA	1
*	55603	STBD WINDOW POST EDGE TRIM	EA	1
* NOT SHOWN				

REFER TO DRAWING ON FOLLOWING PAGE



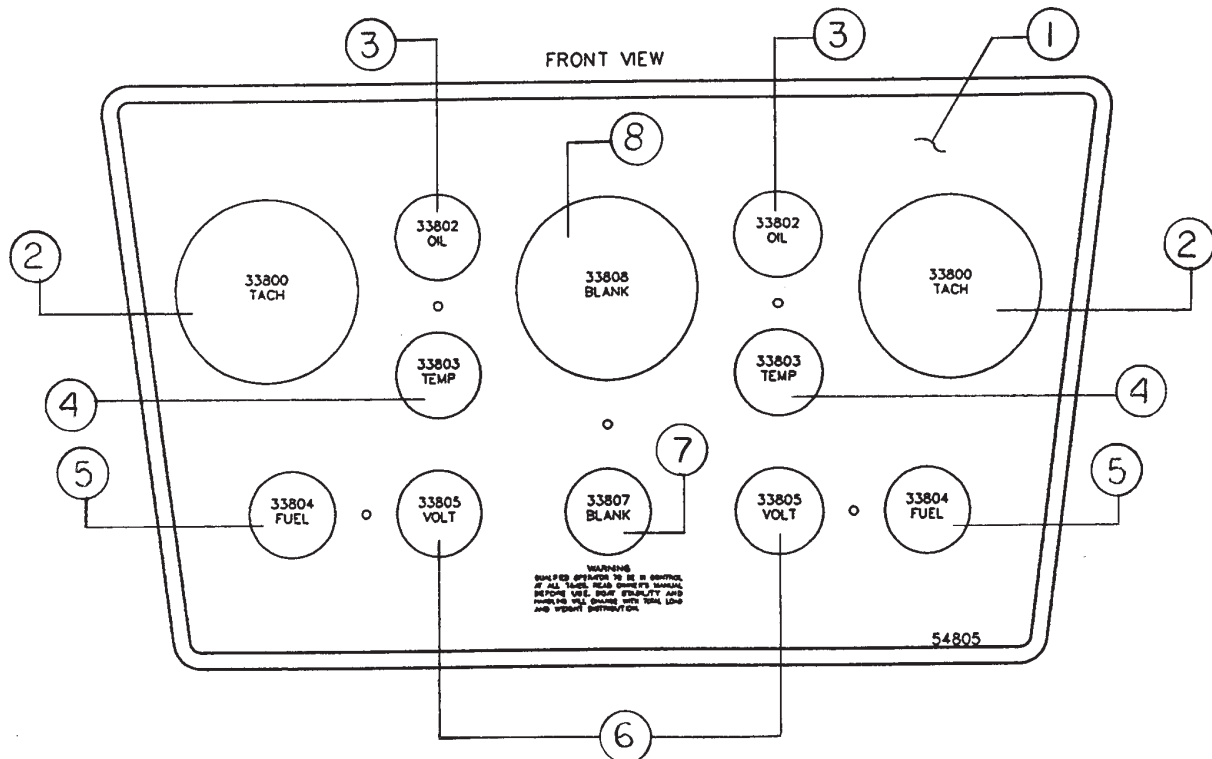
EV9609C

ITEM NO.	PART NUMBER	PART DESCRIPTION	U/M	QTY.
BOAT ELEC WIRING				
*	55078	HARNESS, BONDING (4788EV)	EA	1
*	55079	HARNESS, BATTERY CHARGER 4788EV	EA	1
*	59960	PANEL ASSY, 110AC, STND	EA	1
CIRCUIT BREAKER PANEL				
1	2883	5/8" DOMED HOLE PLUG (MIN. 5M)	EA	4
*	3644	TINNERMAN PUSH-ON CLIP	EA	1
2	10740	5 AMP BRKR RED HNDL (36/FLAT)	EA	1
3	10741	10 AMP BRKR RED HNDL	EA	7
4	10742	15 AMP BRKR RED HNDL (36/FLAT)	EA	13
5	10823	30 AMP DBL POLE BRKR-RED (12/FLAT)	EA	3
6	10826	30 AMP BREAKER RED HANDLE (36/FLAT)	EA	1
7	11520	2 AMP BREAKER-RED	EA	1
8	11521	POLARITY LIGHT	EA	3
*	11531	6-32 X 1/4 PPH BLACK OX/SS	EA	60
*	11532	#6-32X1/2 PPH BLK OX/SS	EA	14
*	11533	6-32 HEX NUT	EA	14
9	12536	GEN START STOP SWITCH - WESTERBEKE	EA	1
*	12869	RIVET BLACK D3001410604 .144-.154	EA	8
10	13221	AC GREEN INDICATOR LT-LOW PROFILE	EA	1
11	13728	0-150 AC VOLTMETER	EA	1
12	13951	0-50 AC AMMETER	EA	3
*	13952	10 PLACE GROUND/NEUTRAL BUSS BAR	EA	1
13	14614	PARALLELING SWITCH-EM	EA	2
14	14801	OIL PRESSURE (EURO II)	EA	1
15	14802	WATER TEMP (EURO II)	EA	1
16	14804	VOLTMETER (EURO II)	EA	1
*	50151	ADAPTER FOR 2 POLE CKT BRKR	EA	6
*	50152	50 AMP 2 POLE CRCIT BRKR (12/FLAT)	EA	3
*	53940	BUSS BAR, .05 COPPER 6.75"X.5"	EA	3
17	55327	2GACC	EA	1
18	55339	SWITCH, VOLTMETER, 2P4T	EA	1
19	58144	SWITCH,DPST,MOMENTARY	EA	1
*	58170	SCREW,MACH,6-32X5/8 PFH,BLACK	EA	6
20	58258	LOCKOUT, SLIDER, BREAKER	EA	3
21	59728	PANEL BLANK, ELECT, AC (EV)	EA	1
22	A39923	PANEL ASSY, WINDLASS	EA	1
PANEL ASSEMBLIES				
23	13225	DC BLUE INDICATOR LT-LOW PROFILE	EA	1
24	33980	SWITCH - WINDLASS POWER	EA	1
*	14970	10-24 X 1 PRH SS BLACK	EA	4
	55071-A	HARNESS, CABIN TOP (4788EV)	EA	1
*	55072-A	HARNESS, DOCKSIDE (4788EV)	EA	1
*	58122	HARNESS, BONDING, RF GROUND	EA	1
*	NOT SHOWN			
DRAWING ON FOLLOWING PAGE.				

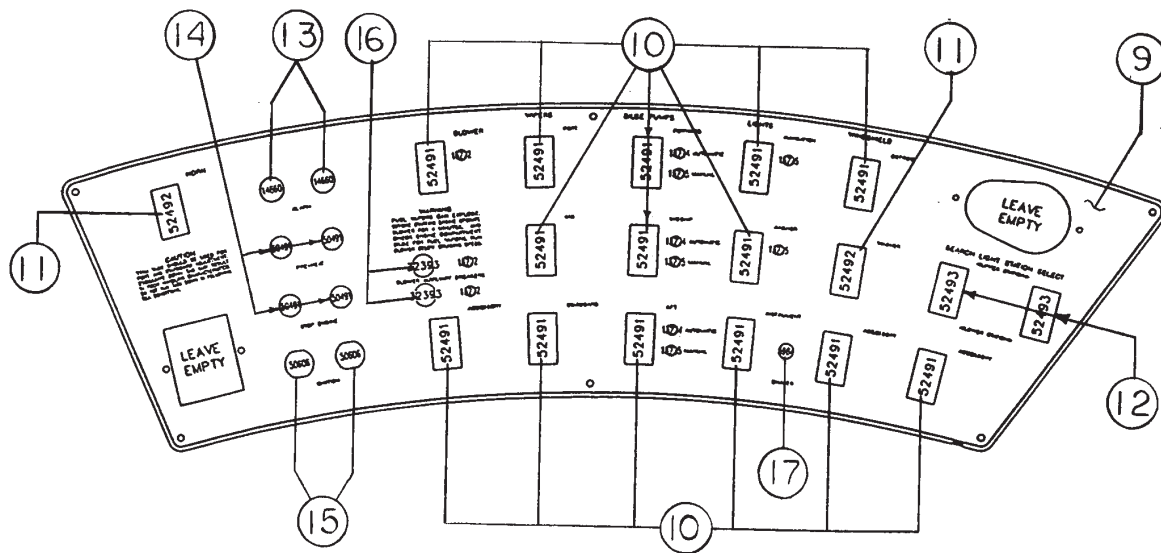


ITEM NO.	PART NUMBER	PART DESCRIPTION	U/M	QTY.
*	55076	PANEL ASSY - PILOT HOUSE DASH (4788EV)	EA	1
		FUSE BLOCK		
*	31267	10 AMP FUSE #P-3087	EA	10
		GAUGE PANEL		
*	55365	PANEL BLANK,LWR INST BACK'G PLATE	EA	1
1	54805	PANEL,BLANK,INST./LOWER	EA	1
2	33800	TACH, DIESEL- ELITE	EA	2
3	33802	OIL PRESSURE - ELITE	EA	2
4	33803	WATER TEMP - ELITE	EA	2
5	33804	FUEL LEVEL - ELITE	EA	2
6	33805	VOLTMETER - ELITE	EA	2
7	33807	SMALL GAUGE BLANK - ELITE	EA	1
8	33808	LARGE GAUGE BLANK - ELITE	EA	1
*	34818	STANDARD NYLON SPACER	EA	7
		SWITCH PANEL		
9	54804	PANEL,BLANK,SW./STBD/LOWER MIN 15	EA	1
10	52491	SWITCH SPST, ON-OFF	EA	14
11	52492	SWITCH SPST, MOMENTARY ON-OFF	EA	2
12	52493	SWITCH DPDT, ON-NONE-ON	EA	2
13	14660	AUDIO VISUAL DUAL ALARM	EA	2
14	50491	MOMENTARY PUSH SWITCH	EA	4
15	50606	IGNITION SWITCH FOR I/O	EA	2
16	13225	DC BLUE INDICATOR LT-LOW PROFILE	EA	6
17	32393	6 AMP PUSH-TO-RESET BRKR,SNAP IN	EA	2
18	13222	DC AMBER INDICATOR LT-LOW PROFILE	EA	2
19	13224	DC RED INDICATOR LT-LOW PROFILE	EA	3
20	3984	RHEOSTAT 25 WATT 10 OHM	EA	1
*	32939	RHEOSTAT KNOB	EA	1
*	NOT SHOWN			

DRAWINGS ON FOLLOWING PAGE.



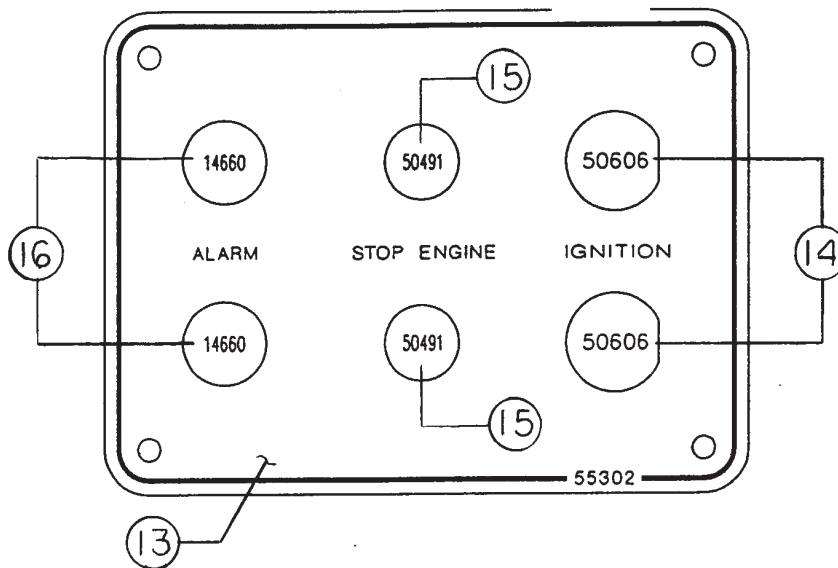
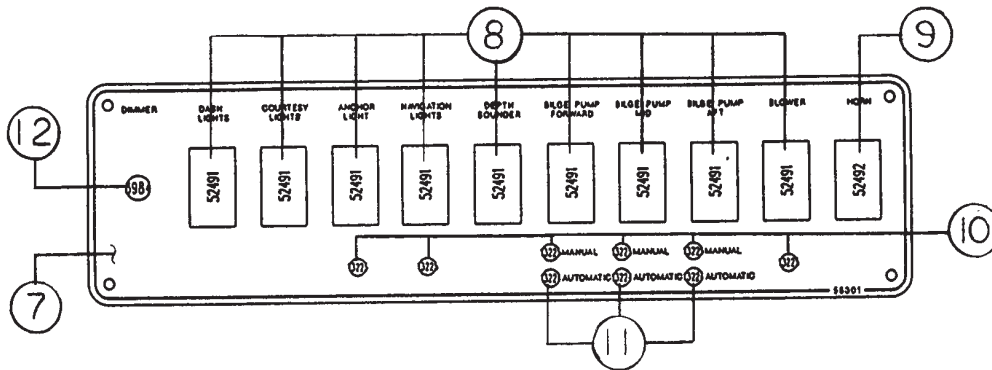
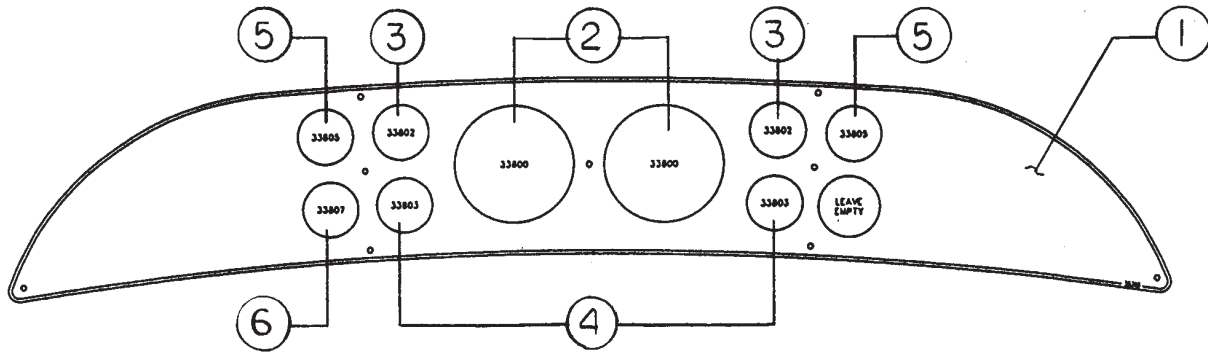
EV9607B



EV9607B

ITEM NO.	PART NUMBER	PART DESCRIPTION	U/M	QTY.
*	55077-A	PANEL ASSY, C/B DASH (4788EV)	EA	1
		FUSE BLOCK		
*	31267	10 AMP FUSE #P-3087	EA	10
		GAUGE PANEL		
*	55300	PNL,BLANK,GAUGE,UPPER,BK PLT	EA	1
1	55303	PANEL,BLANK,GAUGE, C/B UPPER	EA	1
2	33800	TACH, DIESEL- ELITE	EA	2
3	33802	OIL PRESSURE - ELITE	EA	2
4	33803	WATER TEMP - ELITE	EA	2
5	33805	VOLTMETER - ELITE	EA	2
6	33807	SMALL GAUGE BLANK	EA	1
*	34818	STANDARD NYLON SPACER	EA	5
		UPPER SWITCH PANEL		
7	55301	PANEL,BLANK,SWITCH,C/B UPPER	EA	1
8	52491	SWITCH SPST, ON-OFF	EA	9
9	52492	SWITCH SPST, MOMENTARY ON-OFF	EA	1
10	13225	DC BLUE INDICATOR LT-LOW PROFILE	EA	6
11	13222	DC AMBER INDICATOR LT-LOW PROFILE	EA	3
12	3984	RHEOSTAT 25 WATT 10 OHM	EA	1
		UPPER IGNITION PANEL		
13	55302	PANEL,BLANK,IGN. C/B UPPER	EA	1
14	50606	IGNITION SWITCH FOR I/O	EA	2
15	50491	MOMENTARY PUSH SWITCH	EA	2
16	14660	AUDIO VISUAL DUAL ALARM	EA	2
*	NOT SHOWN			

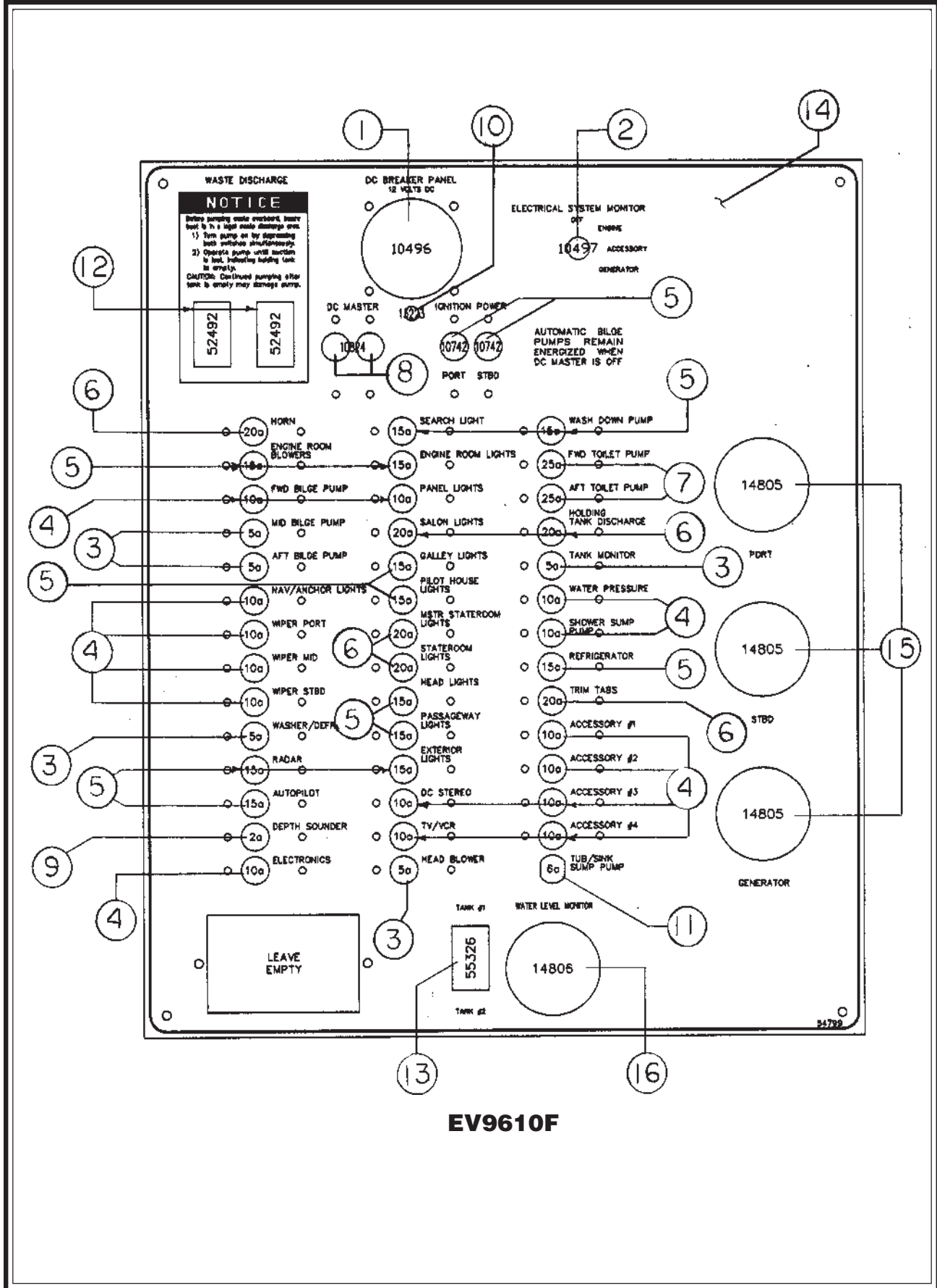
DRAWINGS ON FOLLOWING PAGE.



EV9610E

ITEM NO.	PART NUMBER	PART DESCRIPTION	U/M	QTY.
	A54799	PANEL ASSY, DC BREAKER (4788EV) CIRCUIT BREAKER PANEL	EA	1
1	10496	DELUXE ESM METER ONLY	EA	1
2	10497	VOLTAGE MONITOR SWITCH	EA	1
3	10740	5 AMP BRKR RED HNDL	EA	5
4	10741	10 AMP BRKR RED HNDL	EA	15
5	10742	15 AMP BRKR RED HNDL	EA	14
6	10743	20 AMP BRKR RED HNDL	EA	6
7	10744	25 AMP BRKR RED HNDL	EA	2
8	10824	50 AMP DBL POLE BRKR-RED	EA	1
9	11520	2 AMP BREAKER-RED	EA	1
*	11531	6-32 X 1/4 PPH BLACK OX/SS	EA	90
10	13223	DC GREEN INDICATOR LT-LOW PROFILE	EA	1
11	32393	6 AMP PUSH-TO-RESET BRKR,SNAP IN	EA	1
12	52492	SWITCH SPST, MOMENTARY ON-OFF	EA	2
13	55326	SWITCH SPDT-MOMENTARY	EA	1
14	54799	PANEL,BLANK,DISTRIBUTION,D/C	EA	1
		GAUGE PANEL		
15	14805	HOURMETER (EURO II)	EA	3
16	14806	POTABLE WATER LEVEL (EURO II)	EA	1
*	NOT SHOWN			

DRAWING ON FOLLOWING PAGE.



EV9610F

ITEM NO.	PART NUMBER	PART DESCRIPTION	U/M	QTY.
ELECTRICAL HARDWARE				
*	11507	470 CCA MARINE BATTERY	EA	1
*	59009	8D HIGH BATTERY BOX	EA	1
*	9831-A	60 AMP BATTERY CHARGER 110V	EA	1
*	232	BLANK PLATE	EA	1
*	13124	ZINC SAVER 100 AMP	EA	1
*	33746	POSITIVE BATTERY TERMINAL	EA	2
*	33747	NEGATIVE BATTERY TERMINAL	EA	2
*	275	CORD W/RING 50'(30 AMP)	EA	3
*	9819	POWER INLET/30A-125V	EA	3
*	51512	GROUND FAULT RECEPTACLE	EA	4
*	9015	COVER PLATE F/GFR	EA	4
*	51628	WALL BOX F/GFI (FIBRE)	EA	4
*	10896	SWITCH-SPDT ON-ON	EA	9
*	1704	DUPLEX RECEPTACLE	EA	19
*	1713	COVER PLATE	EA	18
*	7090	WALL BOX	EA	24
*	13952	10 PLACE GROUND/NEUTRAL BUSS BAR	EA	9
*	9954	DOOR MOMENTARY SWITCH	EA	4
*	562-11	MACH J-BOLT 1/4 X 11"	EA	4
*	2816-1	CHROME EYE STRAP	EA	4
*	52036	BATTERY TERMINAL BOOT	EA	4
*	14678	2 LIGHT-SWITCH PLATE ASSY	EA	1
*	13698	2 LIGHT SWITCH PLATE	EA	1
*	10893	SWITCH-SPST OFF-ON	EA	2
*	14679	3 LIGHT-SWITCH PLATE ASSY	EA	2
*	13699	3 LIGHT SWITCH PLATE	EA	1
*	10893	SWITCH-SPST OFF-ON	EA	3
*	14680	4 LIGHT-SWITCH PLATE ASSY	EA	6
*	13700	4 LIGHT SWITCH PLATE	EA	1
*	10893	SWITCH-SPST OFF-ON	EA	4
*	55085	HARNESS, SPOTLIGHT (EV)	EA	1
*	55086	HARNESS, DOCKSIDE COAX & TV	EA	1
*	55087	HARNESS, RADAR WING	EA	1
*	59197	HARNESS, EXT., BOW PLATFORM	EA	1
EXTERIOR LIGHTS				
*	39918	REMOTE CNT'L SEARCHLITE 10' PIGTAIL	EA	1
*	52669	SPOT LIGHT BRACKET	EA	1
1	52686	EXTERIOR LIGHTS (WHITE/WHITE)	EA	4
2	9856	CABIN LIGHT-WHITE TULIP	EA	2
INTERIOR LIGHTS				
3	58245	RECESSED LIGHT W/5WATT BULB	EA	60
*	12507	CHART LIGHT YACHT	EA	1
4	52928	LIGHT, DREAM WHITE	EA	13
5	12530	DOME LIGHT-5 1/2" W/O SWITCH	EA	12
*	8836	26" FLR LITE W/O SWITCH	EA	1
6	36884	WALL LIGHT BRASS W/SWITCH	EA	4
NAV & ANCHOR LIGHTS				
*	14575	LARGE BOW LIGHT	EA	1
*	55337	ALL AROUND LIGHT	EA	1
*	51519	30" MASTHEAD LIGHT	EA	1
*	55146	TRNSM MT STERN NAV LIGHT	EA	1
*	NOT SHOWN			



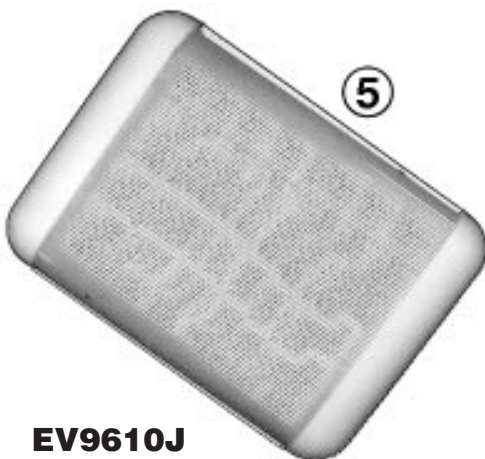
EV9610G



EV9610H



EV9610I



EV9610J



EV9610K

ITEM NO.	PART NUMBER	PART DESCRIPTION	U/M	QTY.
RADAR/AUTOPILOT SYSTEMS				
*	57631	AUTOPILOT W/HAND CONTROL	EA	1
*	12828	AUTOPILOT ADAPTOR KIT	KT	1
*	38723	RAYTHEON TRANCEIVER F/R21-X	EA	1
*	38724	RAYTHEON ANTENNA F/R21-X	EA	1
*	63440	RADAR, RAYTHEON DISPLAY WITH CABLE	EA	1
*	63344	PANEL BLANK RADAR, L/S	EA	1
*	55596	AUTO PILOT 30' EXTENSION CABLES	EA	2
AUDIO VISUAL EQUIPMENT				
*	31985	DC/TV WALL RECEPTACLE	EA	2
*	10741	10 AMP BRKR RED HNDL	EA	1
*	32885	COAX SPLITTER 75OHM-3 WAY	EA	1
*	32247	TV ANTENNA SWITCH	EA	1
*	32259	COAX CABLE SPLICE	EA	1
*	32493	TV/VIDEO/ANT" LABEL	EA	1
*	10471	STEREO SELECT SWITCH DPDT ON-ON	EA	1
*	50136-A	PANEL BLANK, SPEAKER SELECTOR	EA	1
*	57471	LEVY RACK 1100 STACK SYSTEM	EA	1
*	57494	STEREO BRACKET	ST	1
*	38016	STEREO VENT	EA	1
*	3612	MARINE ANTENNA	EA	2
*	13168	SNAP CAP-BLACK	EA	8
*	13169	COUNTERSINK WASHER - CLEAR	EA	8
*	60985	COAX. SPEAKERS, 6.5, WHITE	PR	4
*	33731	DOOR SLIDE W/HINGE	ST	3
*	37399	10LB GRABBER LATCH	EA	1
*	60986	AM/FM CASSETTE STEREO	EA	2
COMMUNICATION EQUIPMENT				
*	63321	ANTENNA-8' VHF	EA	1
*	9683	RATCHET MOUNT FOR ANTENNA	EA	1
*	62452	VHF RADIO-ECLIPSE	EA	1
*	62453	FLUSH MNT BRKT WHT F/VHF	EA	1
*	10703	16' EXTENSION CORD	EA	1
*	31551	DOCKSIDE TV/TELEPHONE INLET	EA	1
*	38359	TELEPHONE JACK	EA	1
*	9015	COVER PLATE, F/GFR	EA	1
DEPTH SOUNDER SYSTEM				
*	38555	3500 DEPTH SOUNDER	EA	1
*	37369	8 DEG TRANSDUCER W/40' CABLE	EA	1
*	59619	ROUND BEZEL	EA	1
WIPER ASSEMBLY				
*	57496	WIPER MOTOR ASSY	EA	3
*	62154	WIPER MOTOR, L/H PARK	EA	1
*	39248	WIPER ARM 28"	EA	3
*	50044	WET ARM KIT	EA	3
*	55846	28" WIPER BLADE	EA	3
*	57497	PANTAGRAPH ADAPTER	EA	3
*	50064	WASHER RESERVOIR KIT	EA	1
*	NOT SHOWN			

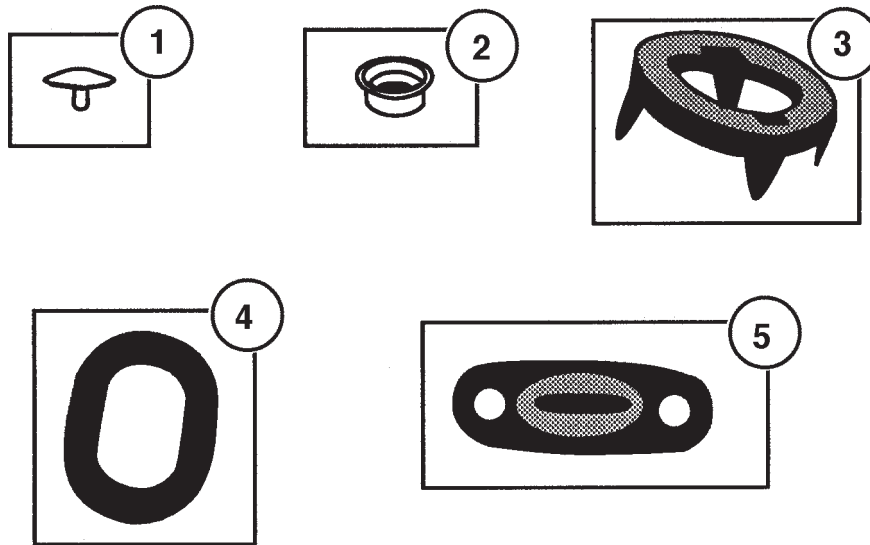


ITEM NO.	PART NUMBER	PART DESCRIPTION	U/M	QTY.
CANVAS ASSEMBLY				
*	55666	WINDSHIELD COVER 4788EV	EA	1
*	55667	BRIDGE HELM SEAT COVER 4788EV	EA	1
*	7026	1/4" BUNGEE CORD	FT	5
*	56016	BRIDGE DASH COVER 4788EV	EA	1
*	36625	ANCHOR WINCH COVER -BLACK	EA	1
*	55668	WHEEL HOUSE DOOR COVER 4788EV	EA	1
*	55669	SALON DOOR COVER 4788EV	EA	1
*	55665	PILOT HOUSE INSIDE FWD SIDE W/S COV	EA	1
*	55670	BRIDGE DOOR COVER 4788EV	EA	1
*	56111	BRIDGE PORT SEAT COVER 4788EV	EA	1
*	56112	BRIDGE STBD SEAT COVER 4788EV	EA	1
ADDITIONAL CANVAS HARDWARE				
1	81	SNAP BUTTON	EA	22
2	82	SNAP SOCKET	EA	22
*	86	SNAP STUD	EA	8
3	88	TURNBUCKLE EYE	EA	2
4	89	TURNBUCKLE WASHER	EA	2
5	90	TURNBUCKLE	EA	2
*	11563	SMALL BASE CANVAS STUD	EA	22

* NOT SHOWN

NOTE: ALL CANVAS PARTS MADE FROM PART #35250 CANVAS-BLACK SUNBRELLA 60"

FOR BIMINI TOP ASSEMBLY, SEE SECTION 16, FACTORY OPTIONS.



EV9611

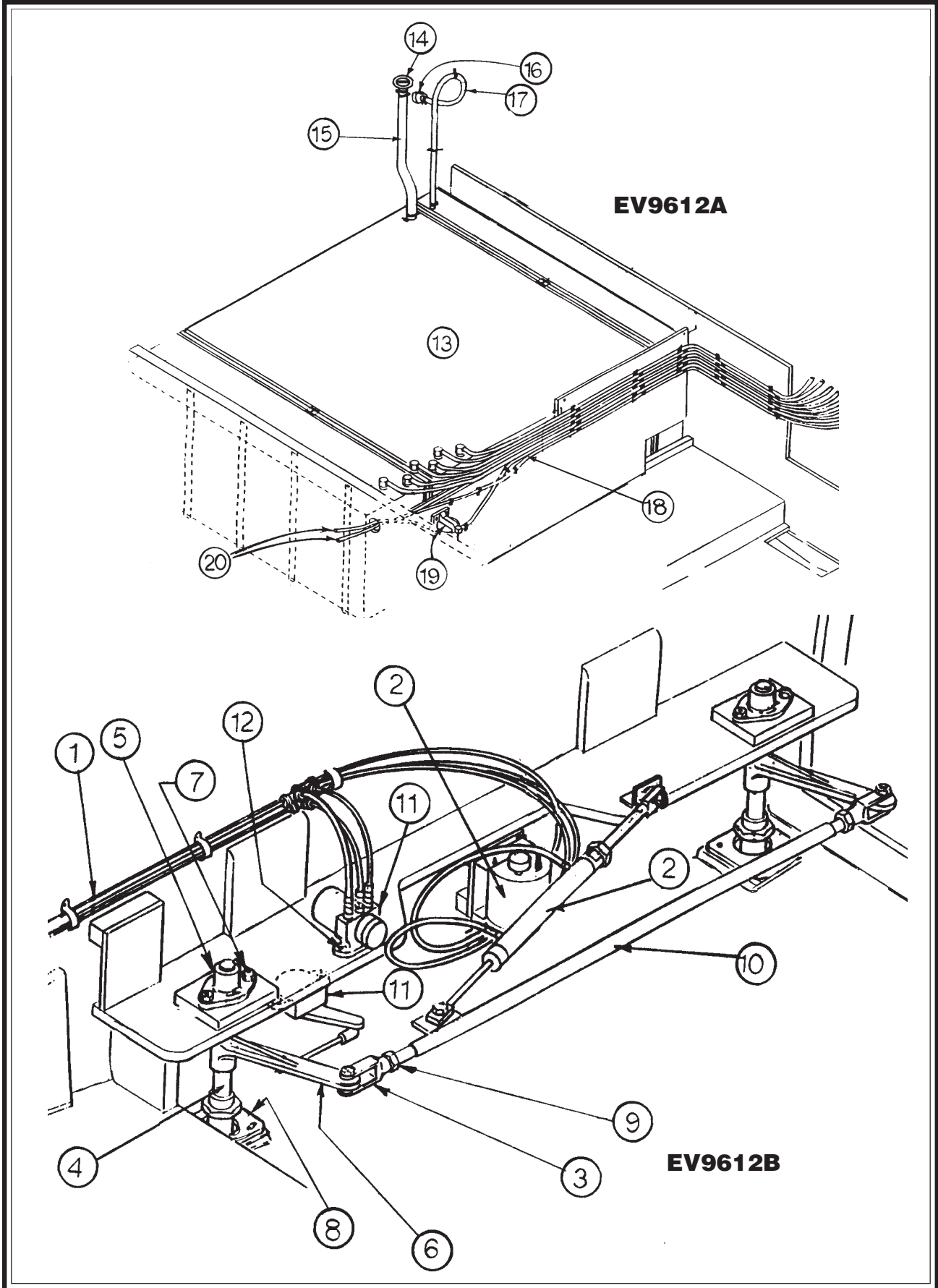
**ENGINE AND CONTROL SYSTEM
SECTION 12**



**MARINE
PARTS™**

4788 EV 1996

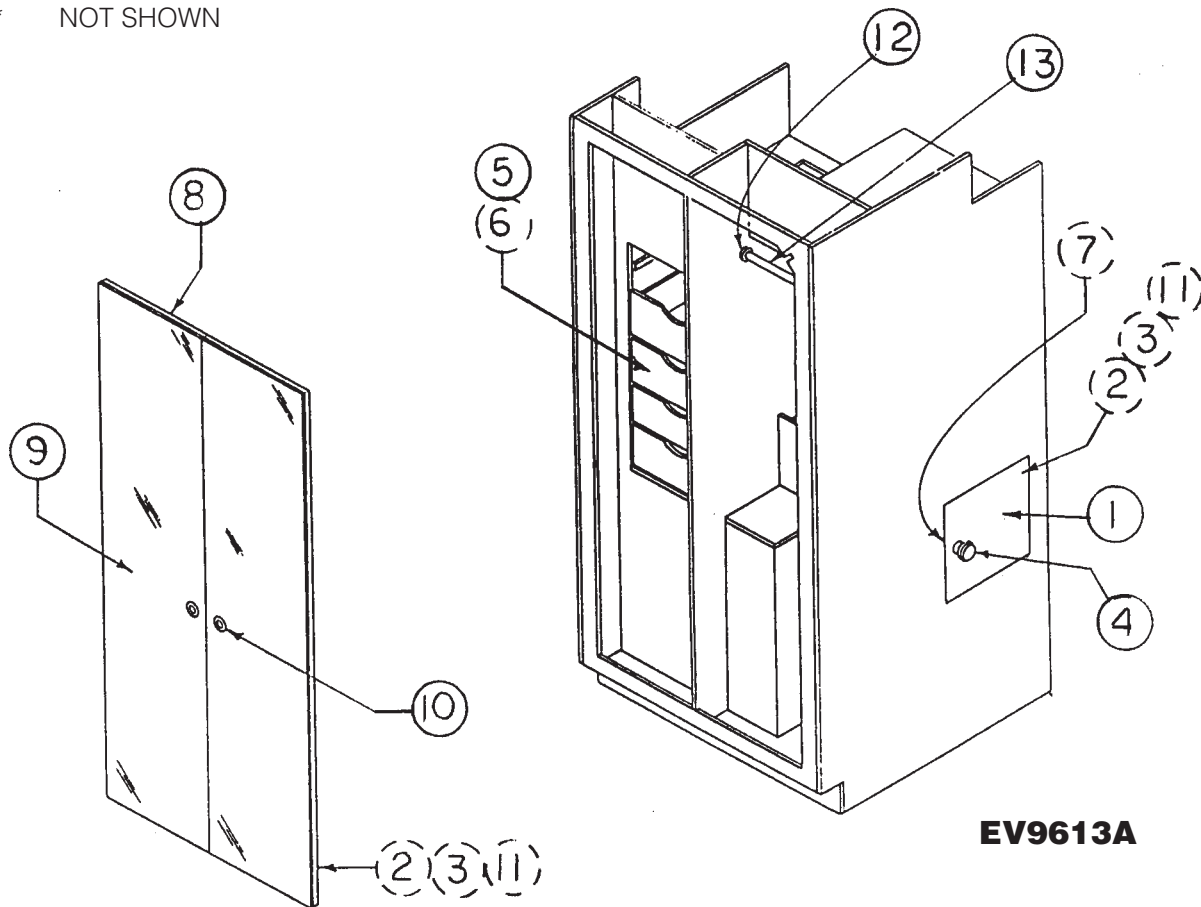
ITEM NO.	PART NUMBER	PART DESCRIPTION	U/M	QTY.
STEERING SYSTEM				
*	61035	COMMAND BRIDGE STEERNG WHEEL,18"	EA	1
*	9266	PILOTHOUSE STEERNG WHL	EA	1
1	9871	3/8" HYDRAULIC NYLON TUBING	FT	310
2	58368	HYDRAULIC STEERING SYSTEM	ST	1
3	851	1/2" CLEVIS ASSY	EA	2
4	3417	INBOARD RUD W/POST BR/BD	EA	2
5	3419	1.5 RUDDER BEARING BR/BD	EA	2
6	3420	RUDDER ARM ASSY BR/BD	EA	2
7	11765	3/8-16 X 3 HH SS-ALL THREAD	EA	2
8	4511	RUDDER BOX & BACK PLATE	EA	2
9	11392	1/2 NF JAM NUT-BLACK (LS)	EA	2
10	58693	RUDDER TIE BAR	EA	1
11	12828	AUTO PILOT ADAPTER	KT	1
12	14283	3/8-16 X 2HH SS	EA	2
ENGINE FUEL SYSTEM				
13	55145	TANK,FUEL 222 GAL PORT EV	EA	1
*	9400	TANK 222 GAL STBD-EM	EA	1
14	11994	FUEL FILL FITTING	EA	2
15	625	FUEL FILL HOSE 1-1/2"	FT	12
16	1703	FUEL TANK VENT	EA	2
17	623	TANK VENT HOSE	FT	14
18	624	FUEL FEED HOSE	FT	45
19	57280	RACOR FUEL FILTER 500MA	EA	2
20	694-EC	3/8" BARB X 1/4" MIP	EA	4
*	1272	HOSE-3/4" ID X 1" OD (FOR CHAFE PROTECTION)	FT	18
*	13242	STBD FUEL TANK LABEL	EA	2
*	13243	PORT FUEL TANK LABEL	EA	2
*	14000	NMMA FUEL SYST INSP LABEL	EA	2
ENGINE VENT SYSTEM				
*	54608	FLANGE, 4" OVAL	EA	2
*	279	HOSE VENT 4"	FT	12
*	55125	BLOWER 4" SPECIAL	EA	2
*	64249	AIR INTAKE BOX, (OPEN)	EA	4
*	63602	AIR INTAKE COVER, (BRACKET)	EA	6
*	64250	AIR INTAKE BOX (CLOSED)	EA	2
*	NOT SHOWN			
REFER TO DRAWINGS ON FOLLOWNIG PAGE				



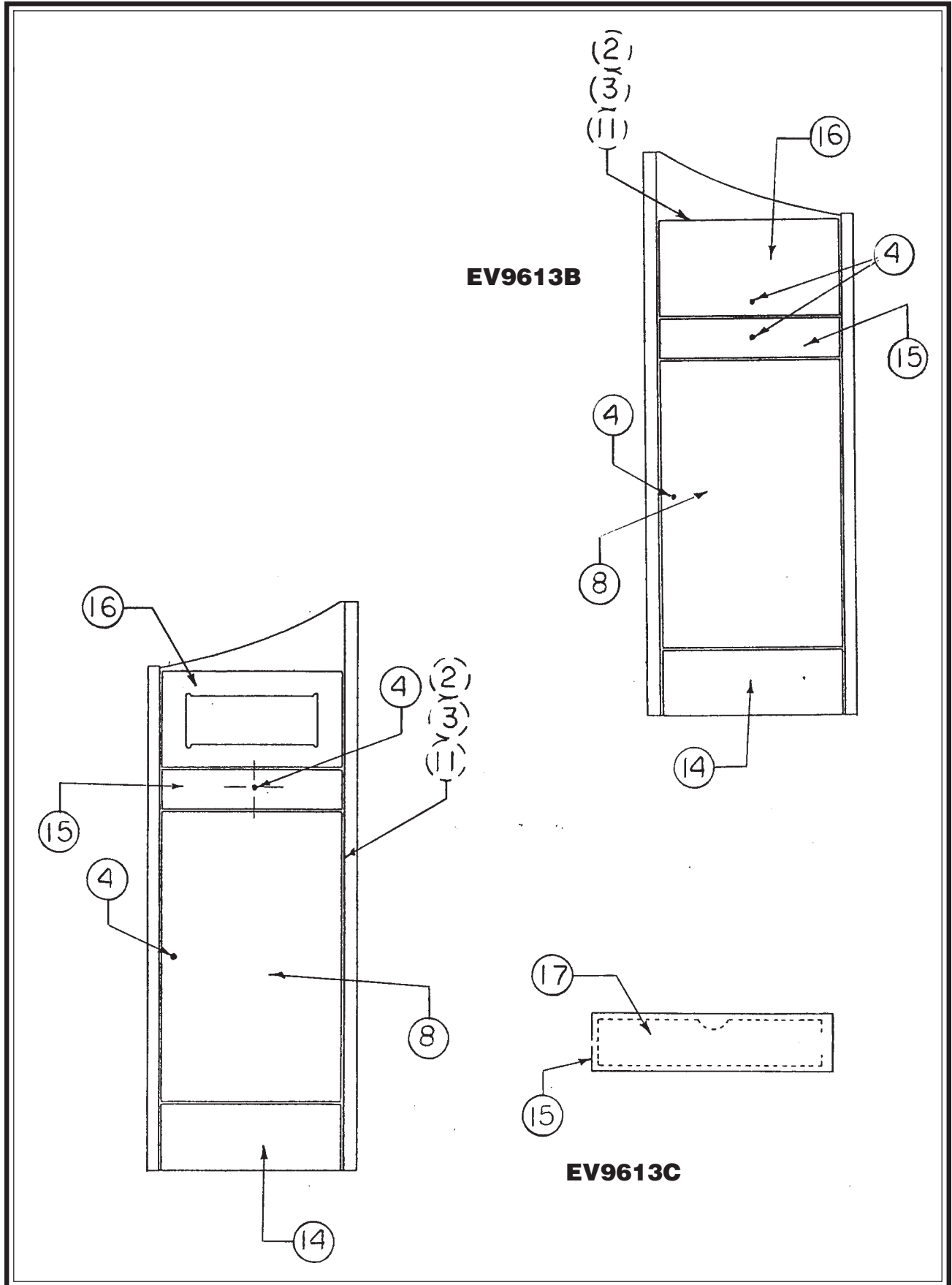
ITEM NO.	PART NUMBER	PART DESCRIPTION	U/M	QTY.
HEAD/SHOWER ASSEMBLY				
*	52810	VENT HEAD/DRYER WHITE	EA	1
*	55445	SHOWER STALL DOOR-FWD	EA	1
*	55444	SHOWER STALL DOOR-AFT	EA	1
*	6933	STANDOFF	EA	1
*	6523	SOCKET	EA	1
*	7846	#6 X 1/2" PPH SS	EA	4
*	9711	BATH TOWEL RING	EA	3
*	9712	BATH ROBE HOOK	EA	3
*	38686	CRYSTAL CLR TP HOLDER	EA	2
*	9710	BATH SAFETY GRIP	EA	2
*	33979B-3-45	20.750" X 28.750" FROSTY WHITE DOOR	EA	1
FWD HEAD CABINET DOOR				
*	55354	MIRROR 20 3/4"X28 3/4" FWD HD.CABNT	EA	1
*	55246	TEAK-SEA RAIL 94EV	LF	6
*	7528	EDGE 13/16" 12'	FT	18
*	55655	GRILL HEAD VENT SYSTEM-OFF WHITE	EA	2
*	55800	ADAPTER HEAD VENT SYSTEM 3"TO4"	EA	2
*	54814	3" BLOWER	EA	1
*	322	HOSE VENT 3"	FT	25
*	12317	SLIDER TRACK-TOP-2X1/8"BLACKX12'	FT	3
*	12318	SLIDER TRACK-BOTTOM-2X1/8"BLACKX12'	FT	3
*	31050B-3-48	31 X 18.25 - BLACK DOOR	EA	2
AFT HEAD VANITY DOORS				
*	55455	MIRRORS 16"X31 3/4" AFT HEAD	EA	2
*	12228	CABNT HINGE W/BLK CAP	EA	6
*	12239	ANGLE BASEPLATE	EA	5
*	12347	FLAT BASEPLATE	EA	1
*	53498	SPACER FOR 12228 HINGE	EA	4
*	334	HINGE FLAT 3/4"	EA	20
*	55456	MIRRORS 12"X30 3/4" AFT HEAD	EA	2
*	6982	BLK PLASTIC FINGER PULL	EA	2
*	12430	STAINLESS CABINET HANDLE	EA	3
*	6199	NYLATCH ROLL CATCH W/STKR	EA	3
*	6199	NYLATCH ROLL CATCH W/STKR	EA	2
*	84104	AFT HEAD DOOR	EA	1
*	55859	MIRROR 11-5/8X51-5/8 (AFT HEAD DOOR)	EA	1
*	84108	FWD HEAD DOOR	EA	1
*	55858	MIRROR 10X59-1/4 (FWD HEAD DOOR)	EA	1
*	10474	RIM LATCH FOR HEAD DOORS	EA	2
* NOT SHOWN				
FOR ASH OPTION SEE SECTION 20 IN THE BACK OF CATALOG				

ITEM NO.	PART NUMBER	PART DESCRIPTION	U/M	QTY.
HANGING LOCKER ASSEMBLY				
1	12806-0-42	11.750 X 11.750 5/8" TEAK PLY (M/B H/L ACCESS)	EA	1
2	12228	CABNT HINGE W/BLK CAP	EA	10
3	12239	ANGLE BASEPLATE	EA	10
4	55317	KNOB, BRASS/CHROME	EA	5
5	S-263	DRAWER ASSEMBLY 5" X 22 X 13 1/2 (M/B)	EA	5
6	84111	DRAWER FACE, FROSTY WHITE	EA	5
7	6199	NYLATCH ROLL CATCH W/STKR	EA	12
8	12806-6-27	20.875 X 36.500 5/8" TEAK PLY (H/L DOOR)	EA	4
9	55397	MID ST.RM DR MIRROR RH & LH 15 5/8	EA	2
10	55396	LATCH/PUSH BUTTON-MID STATE RM H/L	EA	2
11	53498	SPACER FOR 12228 HINGE	EA	10
12	#W1323-35	CLOSET POLE SOCKETS	ST	3
13	6059	1 5/16" DOWEL	LF	6
*	8047	#26 TEAK (M/B H/L TRIM)	LF	15
14	12806-0-38	8.625 X 20.875 5/8" TEAK PLY (DRWR FACE)	EA	2
15	12806-0-39	6.750 X 20.875 5/8" TEAK PLY (V/B H/L FACE)	EA	2
16	12806-0-40	14.500 X 20.875 5/8" TEAK PLY (V/B H/L TOP FACE)	EA	2
17	S-268	DRAWER 5 X 18 7/8 X 9	EA	2
*	334	HINGE FLAT 3/4"	EA	1

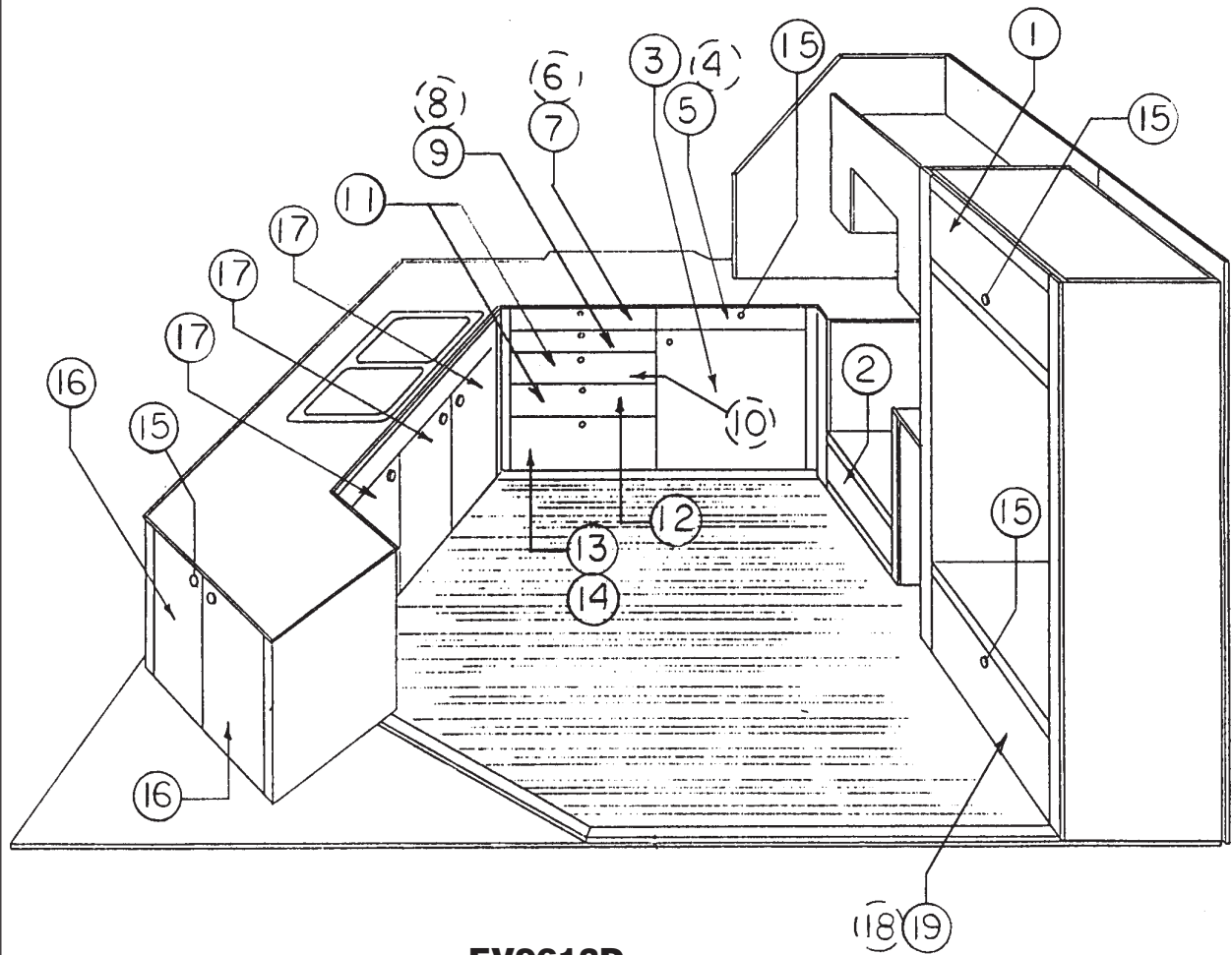
* NOT SHOWN



**FOR ASH OPTION SEE SECTION 20 IN THE BACK OF CATALOG
ADDITIONAL DRAWINGS ON FOLLOWING PAGE.**

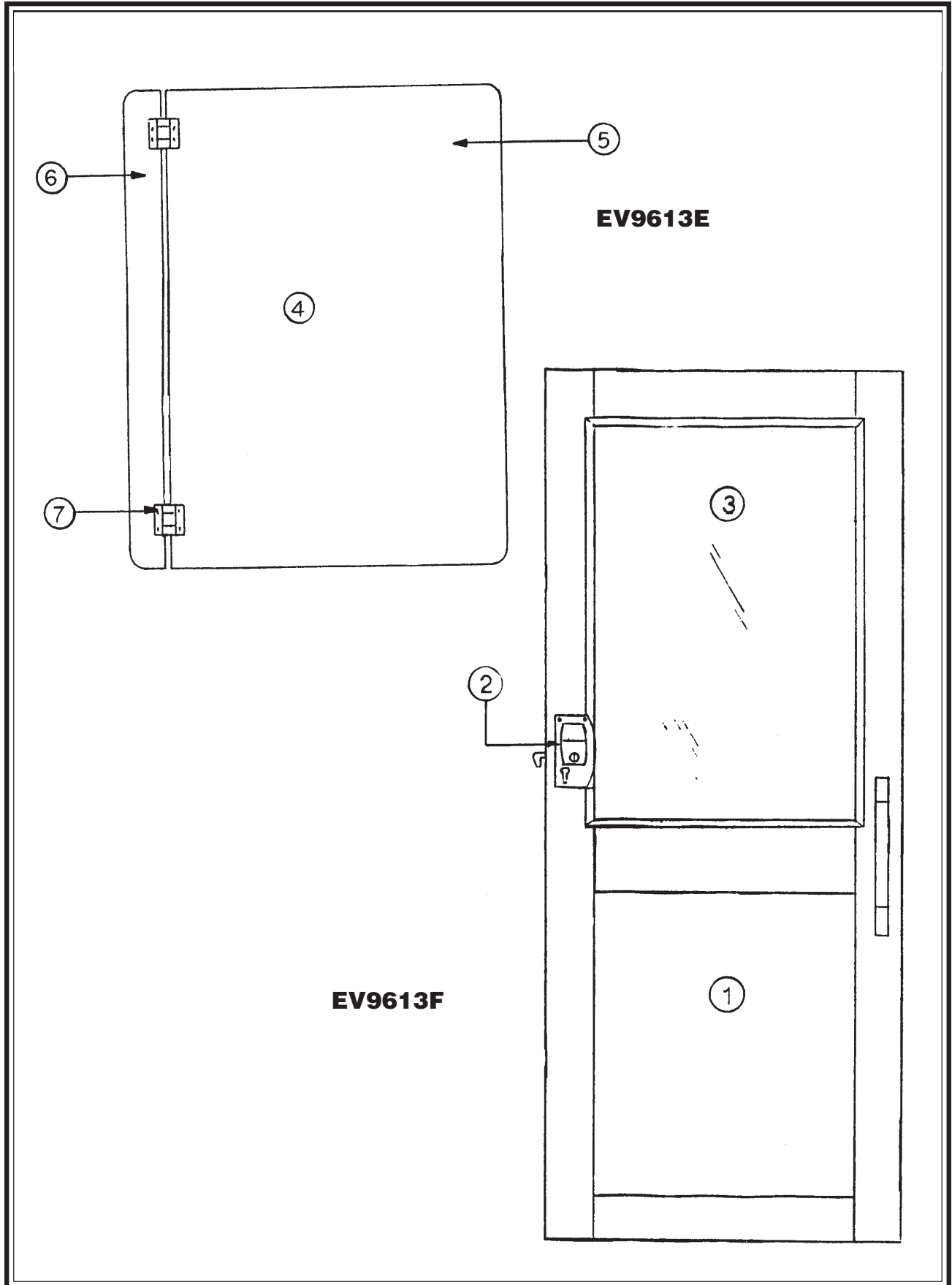


ITEM NO.	PART NUMBER	PART DESCRIPTION	U/M	QTY.
GALLEY ASSEMBLY				
1	12806-0-50	8.375 X 23.250 5/8" TEAK PLY	EA	1
*	55761	DRAWER SLIDE 24"	EA	1
2	12806-3-21	20.375 X 7.750 5/8" TEAK PLY	EA	1
3	12806-6-30	18.00 X 25.750 5/8" TEAK PLY	EA	1
4	S-272	3.5"X16.375"X10" DRAWER ASSEMBLY	EA	1
5	84116	DRAWER FACE	EA	1
6	S-273	3.5"X 16.375"X 5" DRAWER ASSEMBLY	EA	1
7	84117	DRAWER FACE	EA	1
8	S-274	3.5"X 16.375"X 16" DRAWER ASSEMBLY	EA	1
9	84118	DRAWER FACE	EA	1
10	S-275	5"X 16.375"X 16" DRAWER ASSEMBLY	EA	1
11	84119	DRAWER FACE	EA	1
12	S-276	5"X 16.375"X 12" DRAWER ASSEMBLY	EA	1
13	S-277	5"X 16.375"X 10" DRAWER ASSEMBLY	EA	1
14	84120	DRAWER FACE	EA	2
*	12228	CABNT HINGE W/BLK CAP	EA	4
*	12239	ANGLE BASEPLATE	EA	4
*	53498	SPACER FOR 12228 HINGE	EA	4
15	55317	KNOB, BRASS/CHROME	EA	10
*	6199	NYLATCH ROLL CATCH W/STKR	EA	10
*	33731	DOOR SLIDE W/HINGE	ST	1
16	12806-6-32	13.125 X 29.000 5/8" TEAK PLY	EA	2
17	12806-6-29	11.125 X 25.375 5/8" TEAK PLY	EA	3
18	84121	GALLEY DRAWER BELOW REFER	EA	1
19	84122	GALLEY DRAWER FACE	EA	1
*	12228	CABNT HINGE W/BLK CAP	EA	10
*	12239	ANGLE BASEPLATE	EA	4
*	53498	SPACER FOR 12228 HINGE	EA	4
*	55317	KNOB, BRASS/CHROME	EA	5
*	6199	NYLATCH ROLL CATCH W/STKR	EA	5
*	12347	FLAT BASEPLATE	EA	6
*	32165	ALUMINUM SCAB	FT	1
*	55246	TEAK-SEA RAIL 94EV	LF	23
*	8047	#26 TEAK (OVERHEAD TRIM)	LF	27
*	56342	LWR GALLEY DRWER FILL. .125 BLK ABS	EA	1
*	84123	SPICE RACK SLIDER DOORS	EA	2
*	6982	BLK PLASTIC FINGER PULL	EA	2
*	12806-3-18	UPPER GALLEY DOORS	EA	2
*	55317	KNOB, BRASS/CHROME	EA	2
* NOT SHOWN				
FOR ASH OPTION SEE SECTION 20 IN THE BACK OF CATALOG				
DRAWING ON FOLLOWING PAGE.				



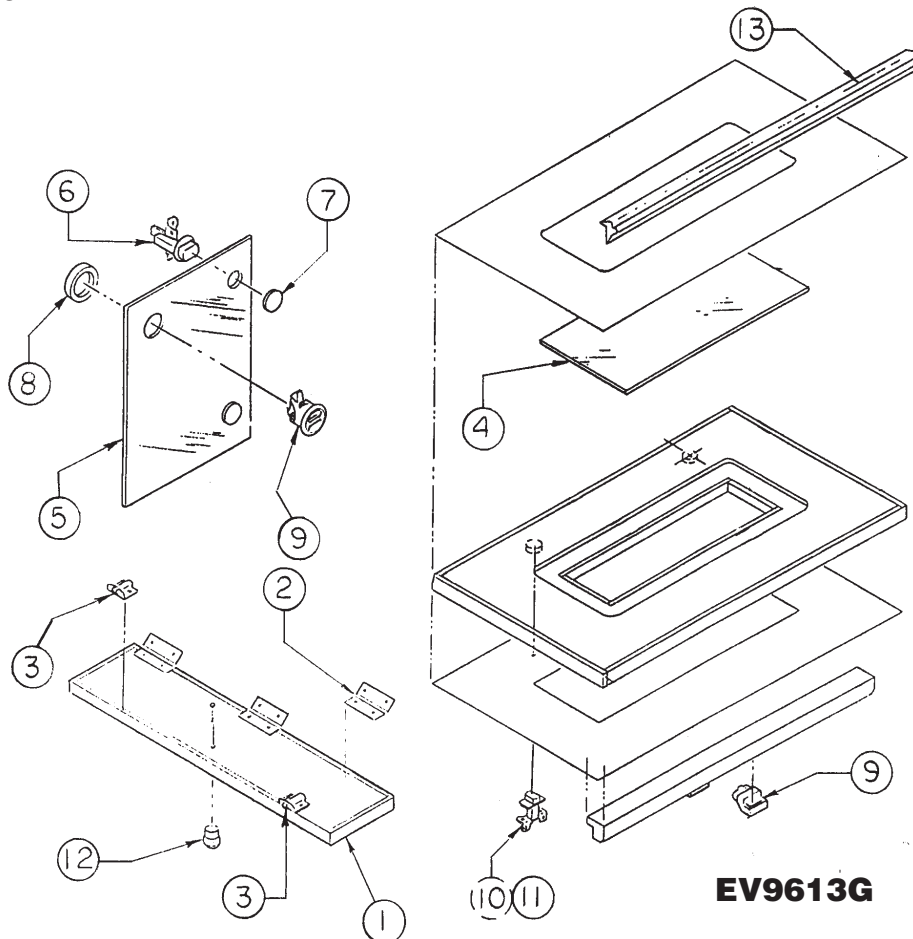
EV9613D

ITEM NO.	PART NUMBER	PART DESCRIPTION	U/M	QTY.
EXT DOOR/BULKHEAD ASSY				
*	55443	SLIDER DOOR TRACK ASSY-EV	EA	1
*	62448-20	AFT BLKHEAD(PORT)GRAY GLS 15 7/8X35	EA	1
*	62448-22	STBD AFT BLKHEAD GRY GLASS 33"X35"X	EA	1
*	62448-21	CENTER AFT BLKHD GRAY GLASS 34"X35"	EA	1
1	EV2371702	BULKHEAD ENTRY DOOR	EA	1
2	62630	SLIDING DOOR LOCK SET (3) KEYED	EA	1
*	5743	AMESBURY PILE GRAY	FT	7
3	55469	DOOR AFT BLKHD GRAY GLASS 25"X35"X	EA	1
COCKPIT STORAGE DOORS - PLEXIGLASS				
4	EV2300201	COCKPIT STORAGE DOORS (COMPLETE ASSEMBLY)		
5	EV2300201.01	COCKPIT STORAGE DOORS	EA	2
6	EV2300201.02	HINGE STRIP	EA	2
7	4030	602 BLK HINGE	PR	2
CABINET ASSEMBLY				
*	7728	EDGEBAND-9/16" TEAK-PREGLUED	FT	7
*	12806-3-19	14.25"X 4.125"-TEAK DOOR (V/B CABINET DOOR)	EA	2
*	12806-0-37	6.250 X 14.250 5/8" TEAK PLY (V/B CAB. PNL)	EA	2
*	S-269	DRAWER-3.5 X 13.25 X 9.25 (A/B NIGHTSTAND)	EA	1
*	12806-0-52	15.875 X 7.625 5/8" TEAK PLY (DRAWER FACE)	EA	1
*	12806-3-21	20.375 X 7.750 5/8" TEAK DOOR (A/B NIGHTSTAND)	EA	1
*	55246	TEAK-SEA RAIL 94EV	LF	4
*	6199	NYLATCH ROLL CATCH W/STKR	EA	4
*	55317	KNOB, BRASS/CHROME	EA	5
*	32165	ALUMINUM SCAB .08X1.5"X8'	FT	11
*	55247	TEAK-3/4"X3" W/1/8" RADIUS EDGES	LF	32
*	31051	EDGEBAND-7/8" BLACK	FT	71
*	12228	CABNT HINGE W/BLK CAP	EA	12
*	12239	ANGLE BASEPLATE	EA	12
*	53498	SPACER FOR 12228 HINGE	EA	12
*	NOT SHOWN			
FOR ASH OPTION SEE SECTION 20 IN THE BACK OF CATALOG				



ITEM NO.	PART NUMBER	PART DESCRIPTION	U/M	QTY.
PILOTHOUSE AC/DC CABINET ASSEMBLY				
1	12806-0-64	TEAK DOOR-9.375 X 36.75	EA	1
2	3669	2X2 CHROME BUTT HINGE	EA	3
3	6199	NYLATCH ROLL CATCH W/STKR	EA	2
4	55351	ELECT PNL TOP BRONZE U-GLASS	EA	1
5	55349	ELECT.PNL DOOR BRONZE U-GLASS LEFT	EA	1
*	55350	ELECT PNL DOOR BRONZE U-GLASS RIGHT	EA	1
6	34344	OVERLAY SELF CLOSING HINGE	EA	4
7	34345	ROUND COVER PLATE BLACK	EA	4
*	K-5168	BUMPER	EA	4
8	35118	CRIMP RING 1.5"ID X 2"OD	EA	4
9	34579	GLASS DOOR LATCH/STRIKER	EA	4
10	12228	CABNT HINGE W/BLK CAP	EA	4
11	12239	ANGLE BASEPLATE	EA	4
*	32165	ALUMINUM SCAB .08X1.5"X8'	FT	9
12	55317	KNOB, BRASS/CHROME	EA	1
*	6381	BRUSHED ALUMINUM	SF	8
13	55246	TEAK SEA RAIL	LF	12
*	12806-6-37	39.375 X 9.250 5/8" TEAK PLY (P/H LWR CAB DOOR)	EA	1
*	59985	TEAK AIR COND. GRILL KIT (INC. 4 GRILLS)	KT	1

* NOT SHOWN



FOR ASH OPTION SEE SECTION 20 IN THE BACK OF CATALOG

ITEM NO.	PART NUMBER	PART DESCRIPTION	U/M	QTY.
WOOD FOR ENTMNT CENTER				
1	12806-3-23	13.375 X 22.000 5/8" TEAK PLY	EA	2
2	12806-3-24	13.625 X 18.750 5/8" TEAK PLY	EA	1
3	12228	CABNT HINGE W/BLK CAP	EA	6
4	12239	ANGLE BASEPLATE	EA	6
5	53498	SPACER FOR 12228 HINGE	EA	6
6	55246	TEAK-SEA RAIL 94EV	LF	20
*	32165	ALUMINUM SCAB .08X1.5"X8'	FT	7
*	334	HINGE FLAT 3/4"	EA	12
STEREO CABINET				
7	34344	OVERLAY SELF CLOSING HINGE	EA	2
8	34345	ROUND COVER PLATE BLACK	EA	2
9	34579	GLASS DOOR LATCH/STRIKER	EA	1
10	34700	GLASS DOOR BUMPER	EA	2
11	12347	FLAT BASEPLATE	EA	2
12	35118	CRIMP RING 1.5"ID X 2"OD	EA	1
13	55465	STEREO CABINET DOOR (BRONZE)	EA	1
*	55247	TEAK-3/4"X3" W/1/8" RADIUS EDGES	LF	7
* NOT SHOWN				

EV9613H

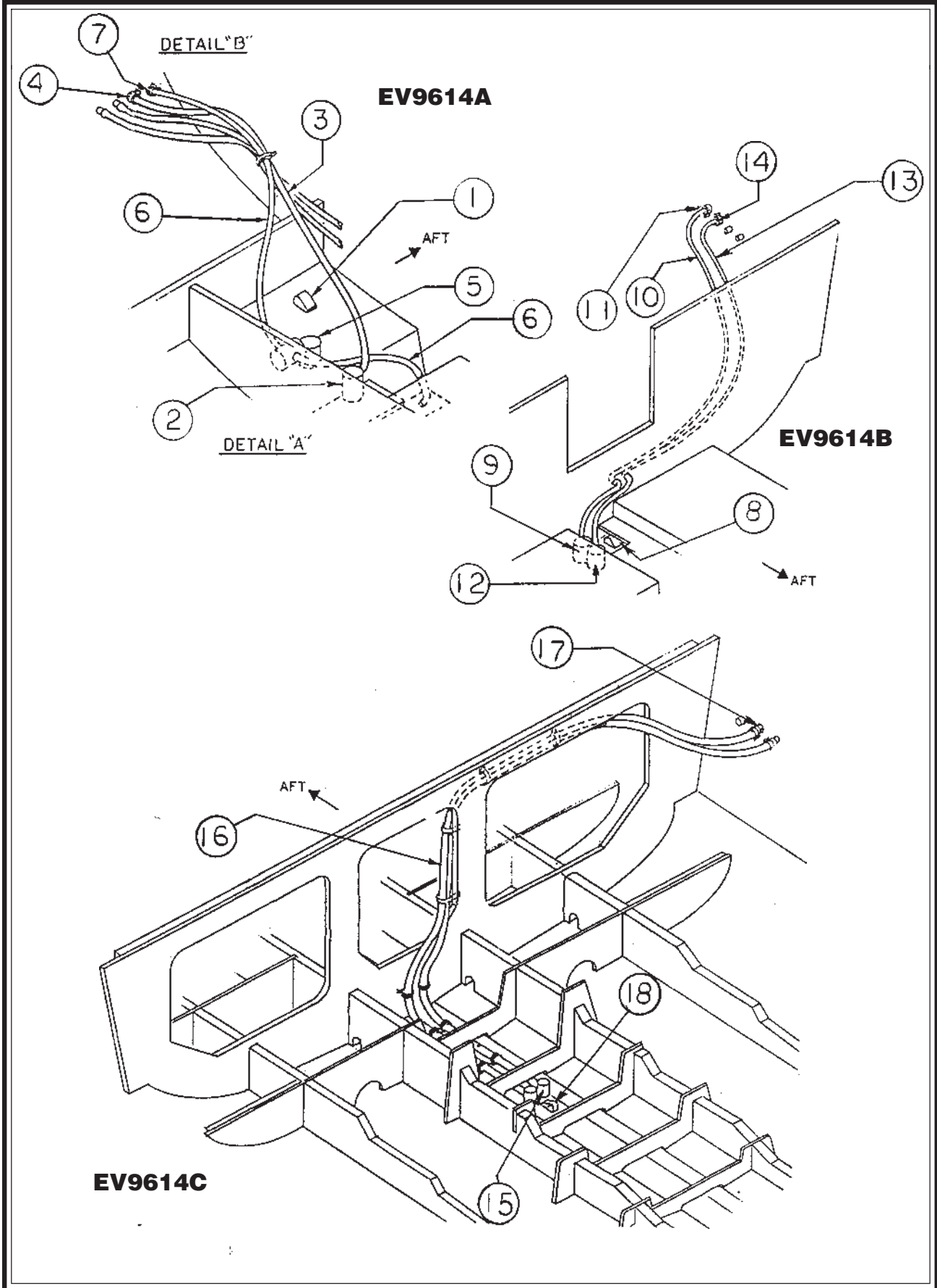
EV9613I

FOR ASH OPTION SEE SECTION 20 IN THE BACK OF CATALOG

ITEM NO.	PART NUMBER	PART DESCRIPTION	U/M	QTY.
PORT SALON CABINET ASSEMBLY				
*	12806-6-34	12.250 X 31.000 5/8" TEAK PLY (DOOR)	EA	5
*	12806-0-61	4.250 X 27.375 5/8" TEAK PLY (BATT SWITCH DOOR)	EA	1
*	53498	SPACER FOR 12228 HINGE	EA	12
*	55317	KNOB, BRASS/CHROME	EA	8
*	6199	NYLATCH ROLL CATCH W/STKR	EA	9
*	55420	HINGE, 33-3/8" ALUM. BLK	EA	1
*	334	HINGE FLAT 3/4"	EA	12
*	55246	TEAK-SEA RAIL	LF	18
*	12228	CABNT HINGE W/BLK CAP	EA	8
*	12239	ANGLE BASEPLATE	EA	8
MISC WOOD SHOP ASSY'S				
*	55246	TEAK-SEA RAIL 94EV	LF	58
*	55059	TEAK RESTORER/PROTECTANT	GL	2
*	8046	#24 TEAK	LF	3
*	55317	KNOB, BRASS/CHROME	EA	21
*	51488	3/4" STARBOARD-POLAR WHITE-HDPE	SF	5
ENGINE ROOM AND GALLEY FLOORING				
*	55517	FLOORING 1" MAPLE T&G (GALLEY)	LF	80
*	55518	FLOORING 1" TEAK T&G (GALLEY)	LF	80
*	55519	FLOORING 1 1/2" TEAK T&G (GALLEY)	LF	80
*	EV05618	AFT ENGINE ROOM DIMOND PLATE FLOOR	EA	1
*	EV05610	ENGINE ROOM DIMOND PLATE CENTER HATCH	EA	1
*	EV05611	FWD ENGINE ROOM DIMOND PLATE FLOOR	EA	1
*	NOT SHOWN			

FOR ASH OPTION SEE SECTION 20 IN THE BACK OF CATALOG

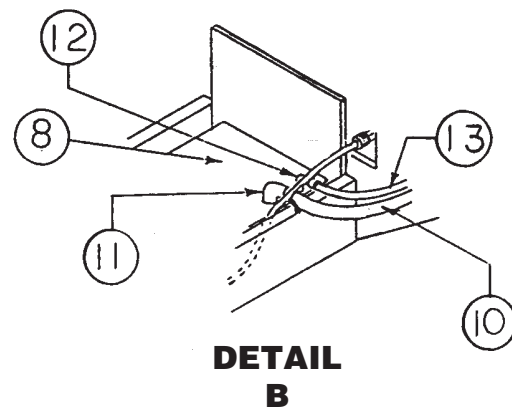
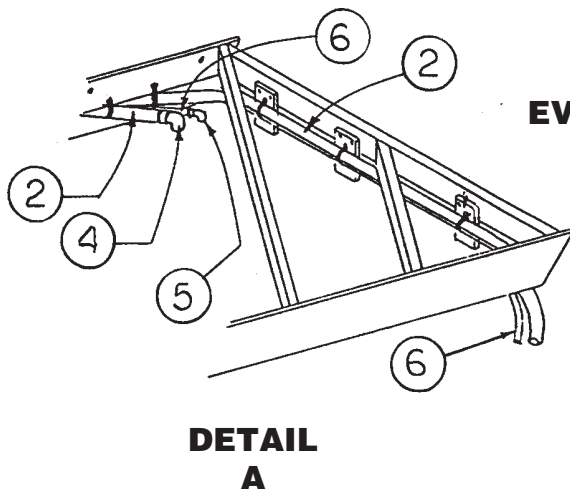
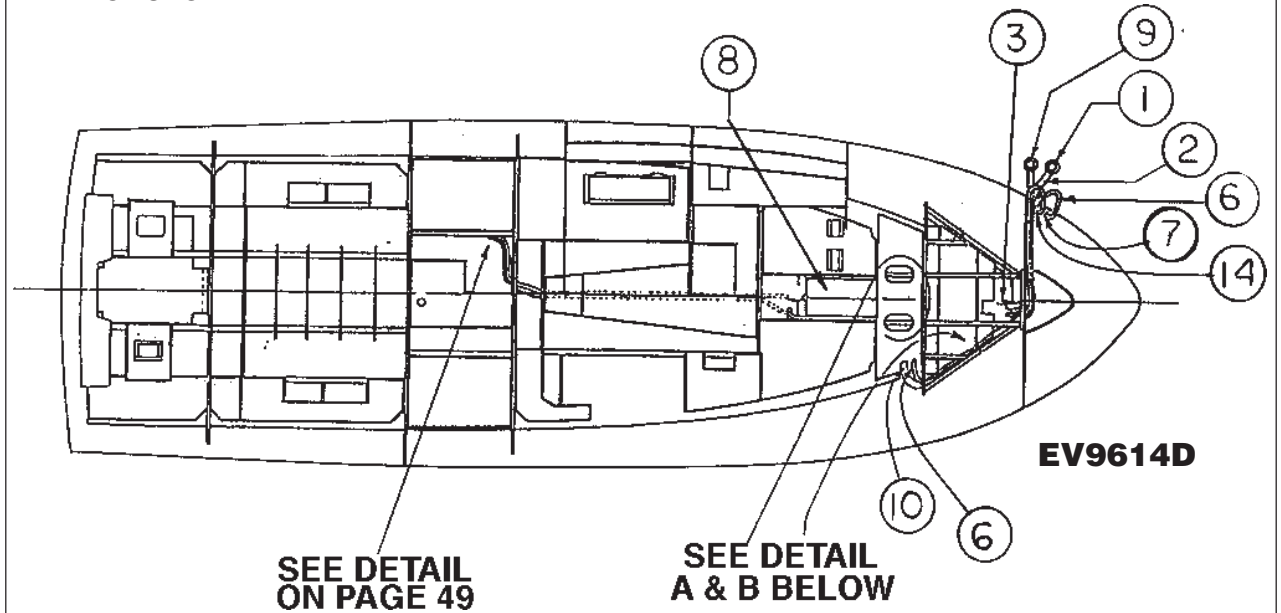
ITEM NO.	PART NUMBER	PART DESCRIPTION	U/M	QTY.
FWD BILGE PUMP SYSTEM				
1	60249	FLOAT SWITCH	EA	1
2	61096	BILGE PUMP 1250 GPH	EA	1
3	1691	HOSE,BILGE,1 1/8"	FT	20
4	9390	THRU-HULL CHR/BRNZ 1"	EA	1
*	60249	FLOAT SWITCH	EA	1
*	11471	PUMP STRAINER	EA	1
*	1272	HOSE-3/4" ID X 1" OD	FT	2
5	3881	BILGE/SHOWER PUMP	EA	1
6	1272	HOSE-3/4" ID X 1" OD	FT	9
7	9389	THRU-HULL 3/4" CHR/BRNZ	EA	1
MIDSHIP BILGE PUMP SYS				
8	60249	FLOAT SWITCH	EA	1
9	61038	BILGE PUMP 1250 GPH	EA	1
10	1691	HOSE,BILGE,1 1/8"	FT	13
11	9390	THRU-HULL CHR/BRNZ 1"	EA	1
12	61038	BILGE PUMP 1250 GPH	EA	1
13	1691	HOSE,BILGE,1 1/8"	FT	13
14	9390	THRU-HULL CHR/BRNZ 1"	EA	1
BILGE PUMP SYSTEM - AFT				
15	61038	BILGE PUMP 1250 GPH	EA	1
16	1691	HOSE,BILGE,1 1/8"	FT	9
17	9390	THRU-HULL CHR/BRNZ 1"	EA	1
15	61038	BILGE PUMP 1250 GPH	EA	1
16	1691	HOSE,BILGE,1 1/8"	FT	9
17	9390	THRU-HULL CHR/BRNZ 1"	EA	1
18	60249	FLOAT SWITCH	EA	1
*	36656	SECONDARY OVERCURR.PROTECTION LABEL	EA	1
COMMAND BRIDGE DRAINS				
*	8562	THRU HULL,PLASTIC 1 1/8"	EA	4
*	1691	HOSE,BILGE,1 1/8"	FT	30
*	9390	THRU-HULL CHR/BRNZ 1"	EA	2
*	55404	DRAIN,C/B ENTERTAINMENT CENTER	EA	1
* NOT SHOWN				
DRAWINGS ON FOLLOWING PAGE.				



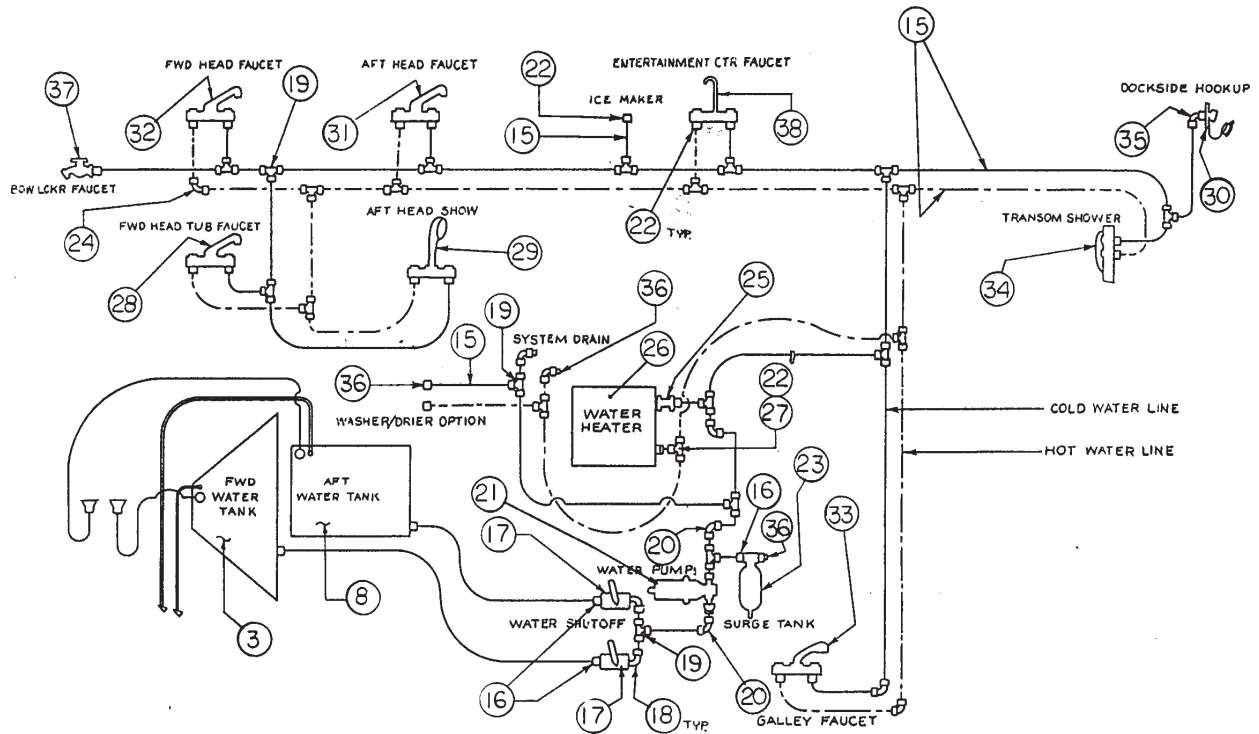
ITEM NO.	PART NUMBER	PART DESCRIPTION	U/M	QTY.
FRESH WATER SYSTEM				
1	11993	WATER FILL CHROME BRASS	EA	1
2	1300	DRAIN HOSE 1.5" WHITE VINYL	FT	7
3	34927	TANK WATER FWD 130 GAL-POLY	EA	1
*	1272	HOSE-3/4" ID X 1" OD	FT	22
4	13192	1.5" 90D NYLON MALE ADAPTER	EA	1
5	4P-MP-IN9E	1/2 90D PL IN M ADP	EA	1
6	1271	HOSE WATER 9/16"	FT	17
7	1703	TANK VENT	EA	1
8	34928	TANK WATER FWD 69 GAL-POLY	EA	1
9	11993	WATER FILL CHROME BRASS	EA	1
10	1300	DRAIN HOSE 1.5" WHITE VINYL	FT	15
11	13192	1.5" 90D NYLON MALE ADAPTER	EA	1
12	4P-MP-IN9E	1/2 90D PL IN M ADP	EA	1
13	59767	5/8" VENT HOSE (WATER TANK)	FT	13
14	1703	TANK VENT	EA	1
*	1114	HOSE, WATER 5/8" SOFTWALL	FT	22
15	34071	5/8 PLYBUTYLENE PIPE	FT	202
16	52124	ADAPTOR 1/2"NPT X 1/2 FLAIR	EA	3
17	14790	BALL VALVE, 1/2" BRZ	EA	2
18	50912	1/2 FL X 1/2 MPT 90DEGREE ELBOW	EA	4
19	50915	1/2 X 1/2 X 1/2 FL TEE	EA	20
20	52123	ELBOW 1/2"NPT X 1/2" FLAIR	EA	1
21	39974	FRESH WATER PUMP W/FILTER	EA	1
22	51896	STRAIGHT FEMALE ADAPTER	EA	18
23	55453	WATER PRESSURE ACCUMULATOR TANK	EA	1
24	50911	1/2 X 1/2 FL 90DEGREE ELBOW	EA	6
25	1307	1/2" CHECK VALVE	EA	1
26	51217	18 GALLON WATER HEATER	EA	1
27	1305	1/2" COUPLING	EA	1
*	13246	WATER HEATER LABEL	EA	1
*	53012	ADAPTER DRAIN GARDEN HOSE TO FLAIR	EA	1
*	10873	3/4"F TO 1/2"M BRZ ADPTER	EA	1
*	6625	4" LAV/SHWR VALVE	EA	1
*	113DX	4"C/P EXP SHWR VLVE	EA	1
28	8034	SHOWER SYSTEM	EA	1
*	10813	WTR VOLUME CNTRL F/28-470	EA	1
29	8034	SHOWER SYSTEM	EA	1
*	10813	WTR VOLUME CNTRL F/28-470	EA	1
*	86	XB-10393-12 DUR FAS STUD	EA	3
*	81	X2-10128 DUR FAS BUT	EA	3
*	13120	POTABLE WATER WARNING LABEL	EA	1
30	9705	WATER PRESSURE REGULATOR	EA	2
*	39057	HOT WATER WARNING LABEL	EA	1
31	36188	FAUCET CHROME LAV SNGL LEVER	EA	1
32	36188	FAUCET CHROME LAV SNGL LEVER	EA	1
33	55514	FAUCET(GALLEY) SOLID ALMOND	EA	1
* NOT SHOWN				
FRESH WATER SYSTEM CONT'D. ON FOLLOWING PAGE.				

ITEM NO.	PART NUMBER	PART DESCRIPTION	U/M	QTY.
FRESH WATER SYSTEM cont'd.				
34	64724	TRANSOM SHOWER	EA	1
*	52124	ADAPTOR 1/2"NPT X 1/2 FLAIR	EA	6
35	52123	ELBOW 1/2"NPT X 1/2" FLAIR	EA	9
36	51074	1/2" DRAIN CAP	EA	3
37	8999	WASHDOWN FAUCET	EA	1
38	12539	BAR SINK WITH FAUCET	EA	1

* NOT SHOWN

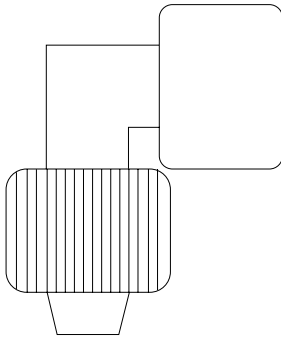


ADDITIONAL DRAWINGS ON FOLLOWING PAGES.

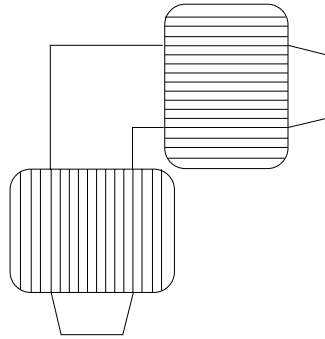


EV9614F

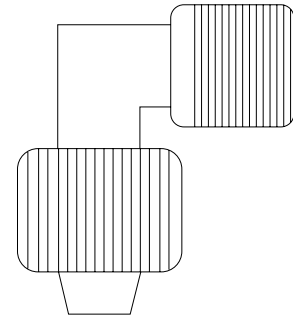
DRAWINGS CONTINUED ON FOLLOWING PAGE



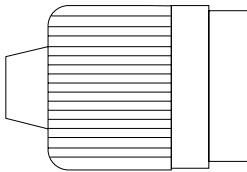
52123



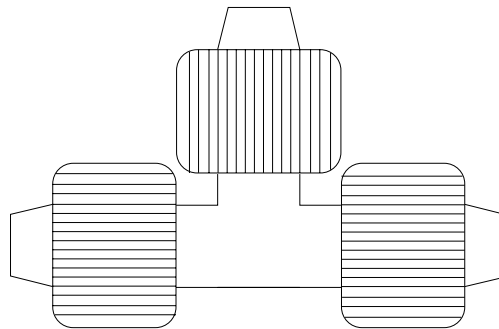
50911



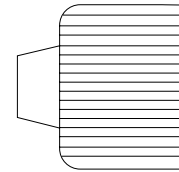
50912



51896



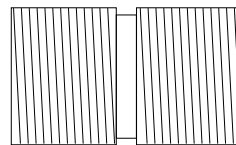
50915



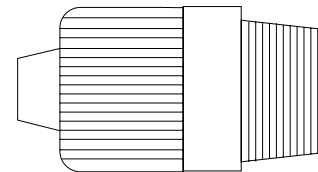
51074



1307



1305



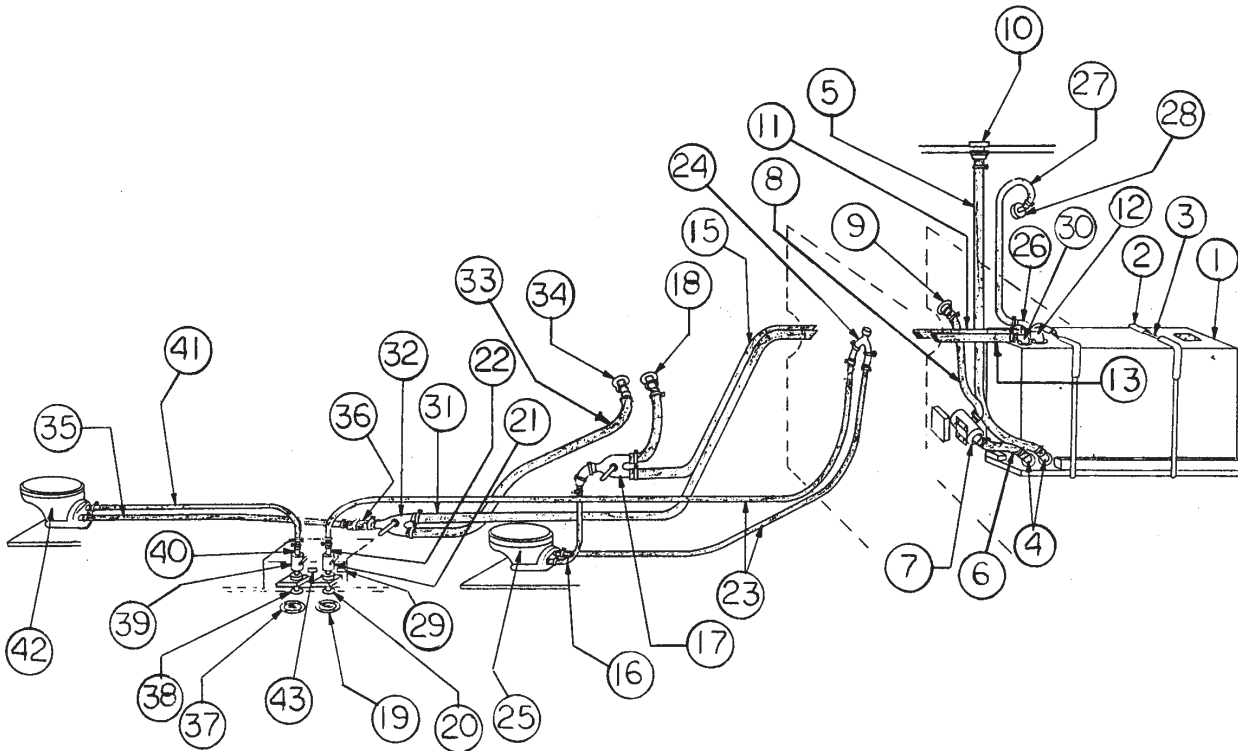
52124

EV9614G

ITEM NO.	PART NUMBER	PART DESCRIPTION	U/M	QTY.
MARINE HEAD SYSTEM-AFT				
1	55422	HOLDING TANK EV 48 GAL	EA	1
2	1272	HOSE-3/4" ID X 1" OD	FT	4
3	31795	HOLDING TANK HOLD-DOWN STRAP	FT	21
*	39532	HOLDING TANK WATCH	KT	1
4	13192	1.5" 90D NYLON MALE ADAPTER	EA	2
5	13706	1-1/2" SANITATION HOSE	FT	12
6	13706	1-1/2" SANITATION HOSE	FT	7
7	4278-A	MACERATOR PUMP W/BARB	EA	1
8	12791	1" SANITATION HOSE	FT	5
9	9392	THRU-HULL 1.5" CHR/BRNZ	EA	1
10	11995	DECK WASTE FITTING BRASS	EA	1
11	13706	1-1/2" SANITATION HOSE	FT	8
12	13192	1.5" 90D NYLON MALE ADAPTER	EA	1
13	13706	1-1/2" SANITATION HOSE	FT	3
14	13192	1.5" 90D NYLON MALE ADAPTER	EA	1
15	13706	1-1/2" SANITATION HOSE	FT	1
16	12791	1" SANITATION HOSE	FT	5
17	10952	1 1/2 Y VALVE	EA	1
*	13231	HEAD OVERBOARD LABEL	EA	1
18	9390	THRU-HULL CHR/BRNZ 1"	EA	1
19	411	3" RND STRAINER	EA	1
20	9680	3/4"X5" THRU HULL BRASS	EA	1
21	14791	3/4" SEACOCK	EA	1
22	31229	3/4" BRBX3/4"MIPT W/1.5" BARB	EA	1
23	1115	SFTWL H2O HOSE 3/4"	FT	12
24	12060	3/4 SIPHON BREAK-EM TOILET	EA	1
*	13122	VENTED LOOP SOLENOID VALVE	EA	1
*	13123	3/16BRB X 1/8MIP BRS M ADP	EA	1
*	6164	SPEEDO HOSE .28ODX.16ID	FT	11
*	1115	SFTWL H2O HOSE 3/4"	FT	5
25	9473	ELECT HEAD 12 VOLT	EA	1
26	4P-MP-IN9E	1/2 90D PL IN M ADP	EA	1
27	1271	HOSE WATER 9/16"	FT	5
28	1703	HOLDING TANK VENT	EA	1
*	7330	BACKING PLATE-ALUM SWITCH	EA	1
*	10466	SWITCH LABEL-HEAD DISCHRG	EA	1
*	35564	WASTE DISCHARGE LABEL	EA	2
*	11174	MACERATOR LABEL	EA	1
*	821	LABEL, OVERBOARD DISCHARGE	EA	1
*	13232	HOLDING TANK OVERBOARD LABEL	EA	1
29	13229	HEAD PICK-UP LABEL	EA	1
MARINE HEAD SYSTEM - FWD				
30	13192	1.5" 90D NYLON MALE ADAPTER	EA	1
31	13706	1-1/2" SANITATION HOSE	FT	18
32	10952	1 1/2 Y VALVE	EA	1
*	13231	HEAD OVERBOARD LABEL	EA	1
33	13706	1-1/2" SANITATION HOSE	FT	7
34	9392	THRU-HULL 1.5" CHR/BRNZ	EA	1
35	12791	1" SANITATION HOSE	FT	5
*	NOT SHOWN	CONTINUED ON FOLLOWING PAGE.		

ITEM NO.	PART NUMBER	PART DESCRIPTION	U/M	QTY.
MARINE HEAD SYSTEM - FWD cont'd.				
36	13706	1-1/2" SANITATION HOSE	FT	1
37	411	3" RND STRAINER	EA	1
38	9680	3/4"X5" THRU HULL BRASS	EA	1
39	14791	3/4" SEACOCK	EA	1
40	31229	3/4" BRBX3/4"MIPT W/1.5" BARB	EA	1
41	1115	SFTWL H2O HOSE 3/4"	FT	8
42	9473	ELECT HEAD 12 VOLT	EA	1
*	7330	BACKING PLATE-ALUM SWITCH	EA	1
*	10466	SWITCH LABEL-HEAD DISCHRG	EA	1
*	821	LABEL, OVERBOARD DISCHARGE	EA	1
*	13232	HOLDING TANK OVERBOARD LABEL	EA	1
43	13229	HEAD PICK-UP LABEL	EA	1

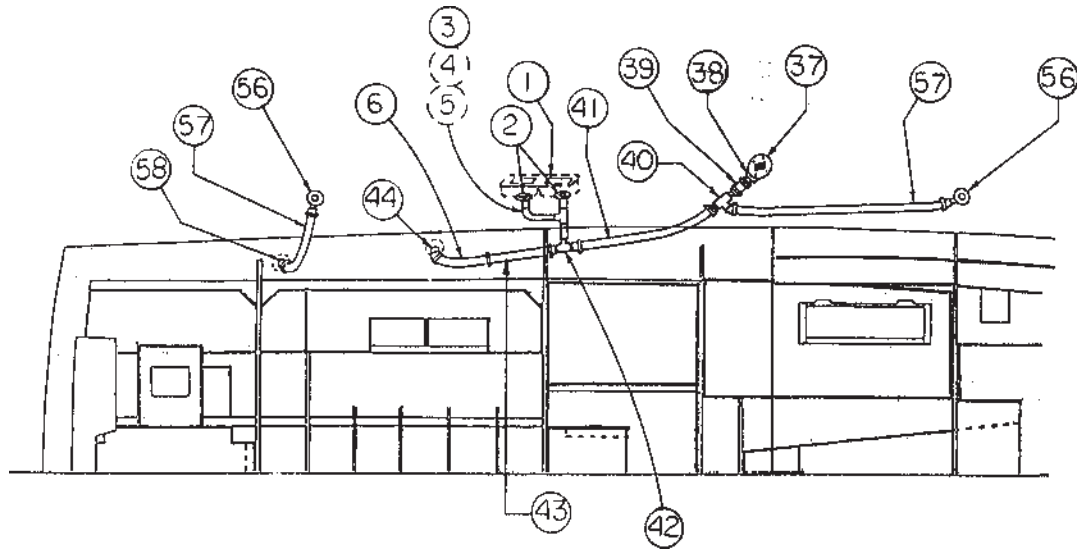
* NOT SHOWN



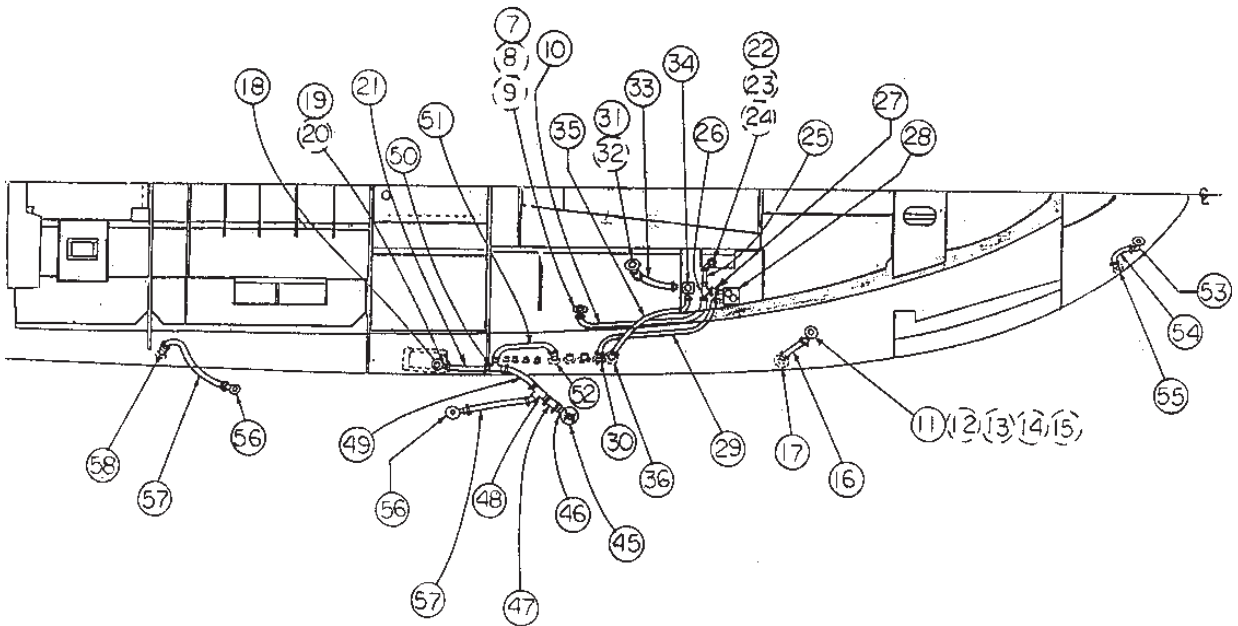
EV9614H

ITEM NO.	PART NUMBER	PART DESCRIPTION	U/M	QTY.
SINK DRAIN SYSTEM				
1	53249	DBLSINK STAINLESS 331/4"X19-19/32	EA	1
2	59245	STRAINER,PLASTIC/SS 3.5"	EA	2
3	10492	1 1/2X16"ABS CONT. WASTE SYSTEM	EA	1
4	57544	DRAIN SLIP NUT	EA	2
5	57545	WASHER 1.30 I.D. X 1.80 O.D. X .125	EA	2
6	1300	DRAIN HOSE 1.5" WHITE VINYL	FT	7
7	57543	SINK STRAINER, 2",S/S	EA	1
8	59246	WASTE ARM 1.5"X7" BLACK W/NUT	EA	1
9	57545	WASHER 1.30 I.D. X 1.80 O.D. X .125	EA	1
10	1300	DRAIN HOSE 1.5" WHITE VINYL	FT	6
11	57543	SINK STRAINER, 2",S/S	EA	1
12	57545	WASHER 1.30 I.D. X 1.80 O.D. X .125	EA	1
13	57544	DRAIN SLIP NUT	EA	1
14	10493	TAILPIECE WASHER F/DRAIN	EA	1
15	9177	1 1/2"X4" TAILPIECE	EA	1
16	1300	DRAIN HOSE 1.5" WHITE VINYL	FT	2
17	9392	THRU-HULL 1.5" CHR/BRNZ	EA	1
18	57543	SINK STRAINER, 2",S/S	EA	1
19	57545	WASHER 1.30 I.D. X 1.80 O.D. X .125	EA	1
20	59246	WASTE ARM 1.5"X7" BLACK W/NUT	EA	1
21	1300	DRAIN HOSE 1.5" WHITE VINYL	FT	4
SHOWER DRAIN SYSTEM - FWD				
22	57543	SINK STRAINER, 2",S/S	EA	1
23	57545	WASHER 1.30 I.D. X 1.80 O.D. X .125	EA	1
24	59246	WASTE ARM 1.5"X7" BLACK W/NUT	EA	1
25	1300	DRAIN HOSE 1.5" WHITE VINYL	FT	2
26	13149	STRAIGHT T ADPTR 1.5" NYLON 32/192	EA	1
27	1300	DRAIN HOSE 1.5" WHITE VINYL	FT	2
28	60241	PUMP, SHOWER SUMP 750 GPH	EA	1
*	36656	2ND OVERCURR.PROTECTION LABEL	EA	1
29	1115	SFTWL H2O HOSE 3/4"	FT	8
30	9389	THRU-HULL 3/4" CHR/BRNZ	EA	1
SHOWER DRAIN SYSTEM-AFT				
*	7330	BACKING PLATE-ALUM SWITCH	EA	1
*	13168	SNAP CAP-BLACK	EA	2
*	13169	COUNTERSINK WASHER - CLEAR	EA	2
*	1180	SHOWER PUMP LABEL	EA	1
*	2000	ILUM ROCKER SWITCH	EA	1
31	8948	SHOWER PUMP DRAIN	EA	1
32	1372	THRU HULL 3/4 90 DEG ELBOW	EA	1
33	1115	SFTWL H2O HOSE 3/4"	FT	2
34	3881	BILGE/SHOWER PUMP	EA	1
35	1115	SFTWL H2O HOSE 3/4"	FT	6
36	9389	THRU-HULL 3/4" CHR/BRNZ	EA	1
* NOT SHOWN				

ITEM NO.	PART NUMBER	PART DESCRIPTION	U/M	QTY.
DECK DRAIN SYSTEM				
37	61592	4"X1 1/2" SHWR DRAIN PLASTIC	EA	1
38	9177	1 1/2"X4" TAILPIECE	EA	1
39	1300	DRAIN HOSE 1.5" WHITE VINYL	FT	2
40	38286	1-1/2 X 1-1/2 X 1 "T" PVC BARB	EA	1
41	1300	DRAIN HOSE 1.5" WHITE VINYL	FT	1
42	13149	STRAIGHT T ADPTR 1.5" NYLON	EA	1
43	1300	DRAIN HOSE 1.5" WHITE VINYL	FT	2
44	9392	THRU-HULL 1.5" CHR/BRNZ	EA	1
45	61592	4"X1 1/2" SHWR DRAIN PLASTIC	EA	1
46	9177	1 1/2"X4" TAILPIECE	EA	1
47	1300	DRAIN HOSE 1.5" WHITE VINYL	FT	2
48	38286	1-1/2 X 1-1/2 X 1 "T" PVC BARB	EA	1
49	1300	DRAIN HOSE 1.5" WHITE VINYL	FT	1
50	13149	STRAIGHT T ADPTR 1.5" NYLON	EA	1
51	1300	DRAIN HOSE 1.5" WHITE VINYL	FT	5
52	9392	THRU-HULL 1.5" CHR/BRNZ	EA	1
53	1372	THRU HULL 3/4 90 DEG EL	EA	1
54	1272	HOSE-3/4" ID X 1" OD	FT	3
55	708	THRU HULL PLAS 3/4"	EA	1
COMMAND BRIDGE DRAINS				
56	8562	THRU HULL, PLASTIC 1-1/8"	EA	4
57	1691	HOSE, DRAIN 1-18"	FT	30
58	9390	THRU HULL CHR/BRNZ 1"	EA	2
*	55404	DRAIN, C/B ENT CENTER	EA	1
* NOT SHOWN				
DRAWINGS ON FOLLOWING PAGE.				



EV9614I

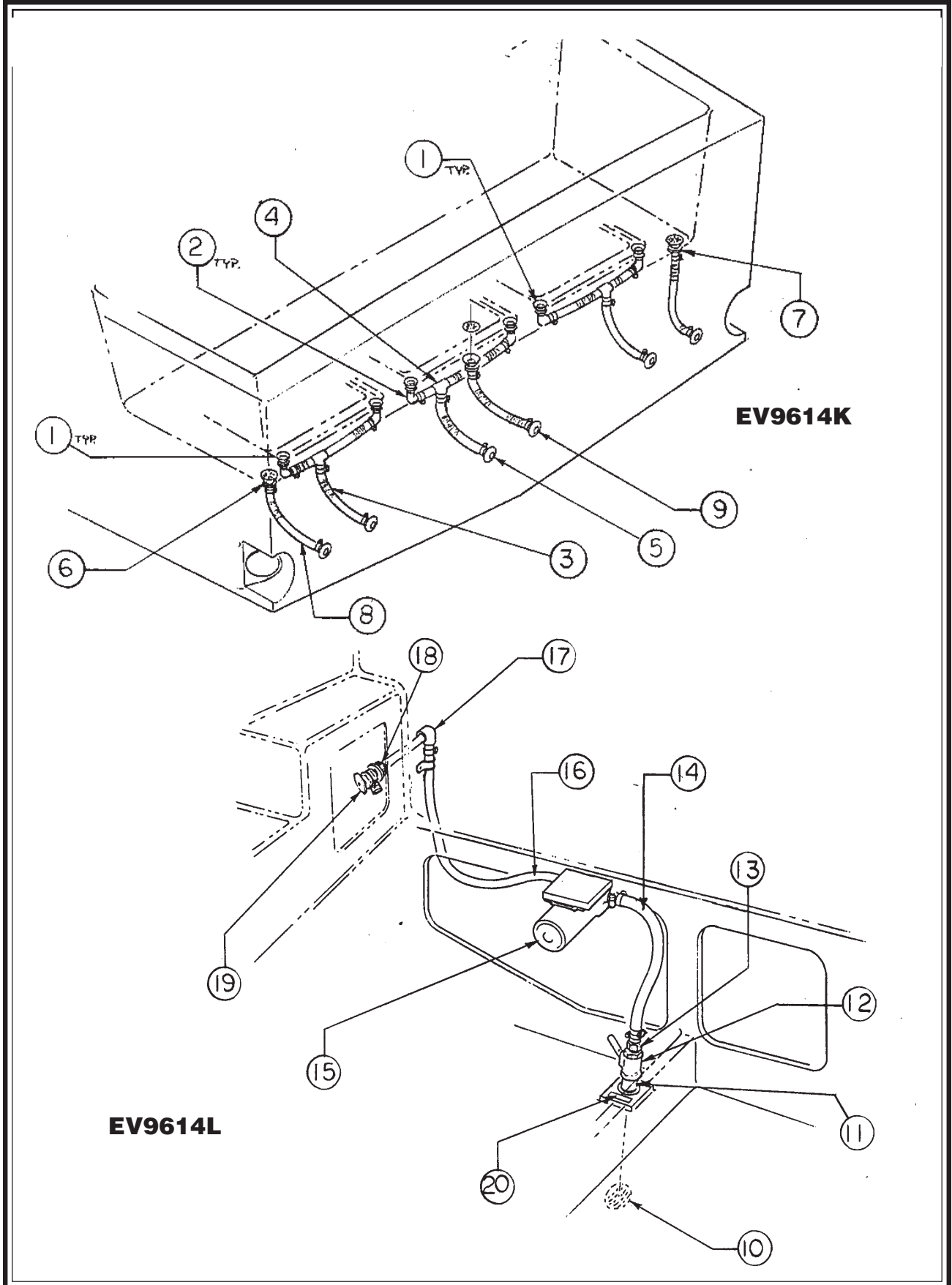


EV9614J

ITEM NO.	PART NUMBER	PART DESCRIPTION	U/M	QTY.
COCKPIT DRAIN SYSTEM				
1	8492	THRU-HULL,REV FLANGE 1 1/2"	EA	6
2	13193	ADAPTER,FEMALE,NYLON 1.5" 90 DEG	EA	6
3	1300	DRAIN HOSE 1.5" WHITE VINYL	FT	14
4	13149	STRAIGHT T ADPTR 1.5" NYLON	EA	3
5	9392	THRU-HULL 1.5" CHR/BRNZ	EA	3
6	61592	4"X1 1/2" SHWR DRAIN PLASTIC	EA	3
7	9177	1 1/2"X4" TAILPIECE	EA	3
8	1300	DRAIN HOSE 1.5" WHITE VINYL	FT	7
9	9392	THRU-HULL 1.5" CHR/BRNZ	EA	3
SEA WATER WASH DOWN SYSTM				
10	411	3" RND STRAINER	EA	1
11	9680	3/4"X5" THRU HULL BRASS	EA	1
12	14791	3/4" SEACOCK	EA	1
13	31229	3/4" BRBX3/4"MIPT W/1.5" BARB	EA	1
14	8893	3/4" HARDWALL WATER HOSE	FT	6
15	14814	WASH DOWN PUMP	EA	1
16	8893	3/4" HARDWALL WATER HOSE	FT	5
17	7087	3/4 IN X 1/2FIP 90D PL L	EA	1
18	503	SHOWER NIPPLE	EA	1
19	8999	WASHDOWN FAUCET	EA	1
*	14204	WASHDOWN WIRE TAG	EA	1
20	13486	WASHDOWN LABEL	EA	1

* NOT SHOWN

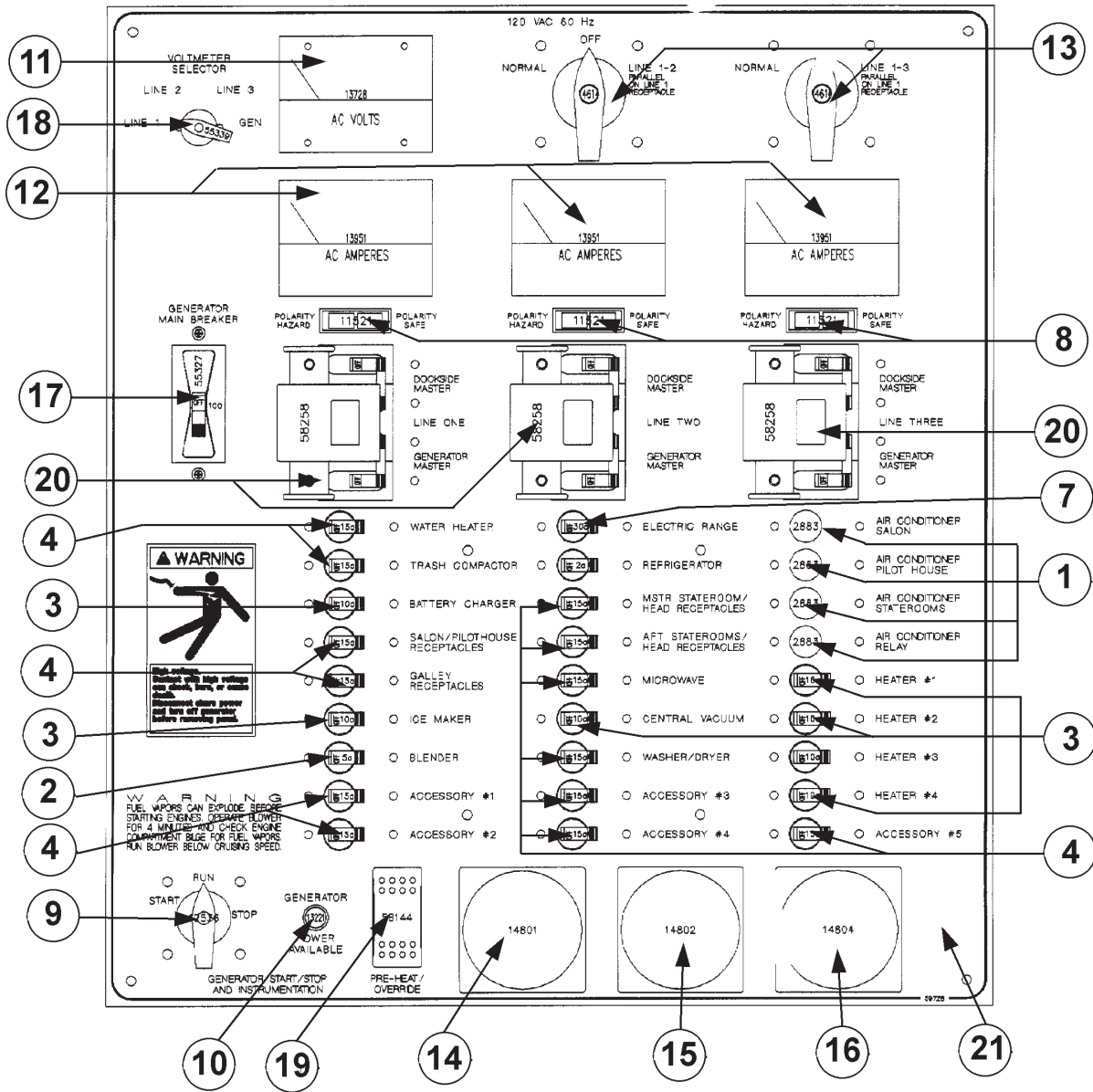
DRAWINGS ON FOLLOWING PAGE.



ITEM NO.	PART NUMBER	PART DESCRIPTION	U/M	QTY.
HULL BASIC HARDWARE				
*	54838	SILICONE SEALANT BLK DOW 791	TU	10
*	54645	DOW SILICONE 791 DREAM WHITE	TU	2
*	4082	1" ACOUSTICAL FOAM	LF	1
*	4354	2" WIDE ALUM TAPE	RL	2
MANUALS-PLEASE ORDR THROUGH CUSTOMER SERVICE(360)435-8957				
*	13374	MARINCO SHORE POWER HANDBOOK N/C	EA	1
*	52079	NAUTOLEX VINYL CARE & CLEANING	EA	1
*	60913	96 OWNERS MANUAL	EA	1
*	NOT SHOWN			

ITEM NO.	PART NUMBER	PART DESCRIPTION	U/M	QTY.
220V AIR COND. 16/12/12 BTU(OA7)				
*	59963	PANEL ASSY, 220AC, EXPORT AIR	EA	1
CIRCUIT BREAKER PANEL				
1	2883	5/8" DOMED HOLE PLUG	EA	4
*	3644	TINNERMAN PUSH-ON CLIP	EA	1
2	10740	5 AMP BRKR RED HNDL	EA	1
3	10741	10 AMP BRKR RED HNDL	EA	7
4	10742	15 AMP BRKR RED HNDL	EA	13
5	10823	30 AMP DBL POLE BRKR-RED	EA	3
6	10826	30 AMP BREAKER RED HANDLE	EA	1
7	11520	2 AMP BREAKER-RED	EA	1
8	11521	POLARITY LIGHT	EA	3
*	11531	6-32 X 1/4 PPH BLACK OX/SS	EA	60
*	11532	#6-32X1/2 PPH BLK OX/SS	EA	14
*	11533	6-32 HEX NUT	EA	14
9	12536	GEN START STOP SWITCH - WESTERBEKE	EA	1
*	12869	RIVET BLACK D3001410604 .144-.154	EA	8
10	13221	AC GREEN INDICATOR LT-LOW PROFILE	EA	1
11	13728	0-150 AC VOLTMETER	EA	1
12	13951	0-50 AC AMMETER	EA	3
*	13952	10 PLACE GROUND/NEUTRAL BUSS BAR	EA	1
13	14614	PARALLELING SWITCH-EM	EA	2
14	14801	OIL PRESSURE (EURO II)	EA	1
15	14802	WATER TEMP (EURO II)	EA	1
16	14804	VOLTMETER (EURO II)	EA	1
*	50151	ADAPTER FOR 2 POLE CKT BRKR	EA	6
*	50152	50 AMP 2 POLE CRCIT BRKR	EA	3
*	53940	BUSS BAR, .05 COPPER 6.75"X.5"	EA	3
17	55327	2GACC	EA	1
18	55339	SWITCH, VOLTMETER, 2P4T	EA	1
19	58144	SWITCH,DPST,MOMENTARY	EA	1
*	58170	SCREW,MACH,6-32X5/8 PFH,BLACK	EA	6
20	58258	LOCKOUT, SLIDER, BREAKER	EA	3
21	59728	PANEL BLANK, ELECT, AC (EV)	EA	1
*	55073	HARNES, A/C DOCKSIDE (4788EV)	EA	1
GENERATOR SYSTEMS				
*	9800	12.5 KW DIESEL GEN(ORDER THRU VENDER)	EA	1
GENERATOR FUEL SYSTEMS				
*	56177	DIESEL GEN. FUEL RET.HOSE WESTERBKE	EA	1
* NOT SHOWN				

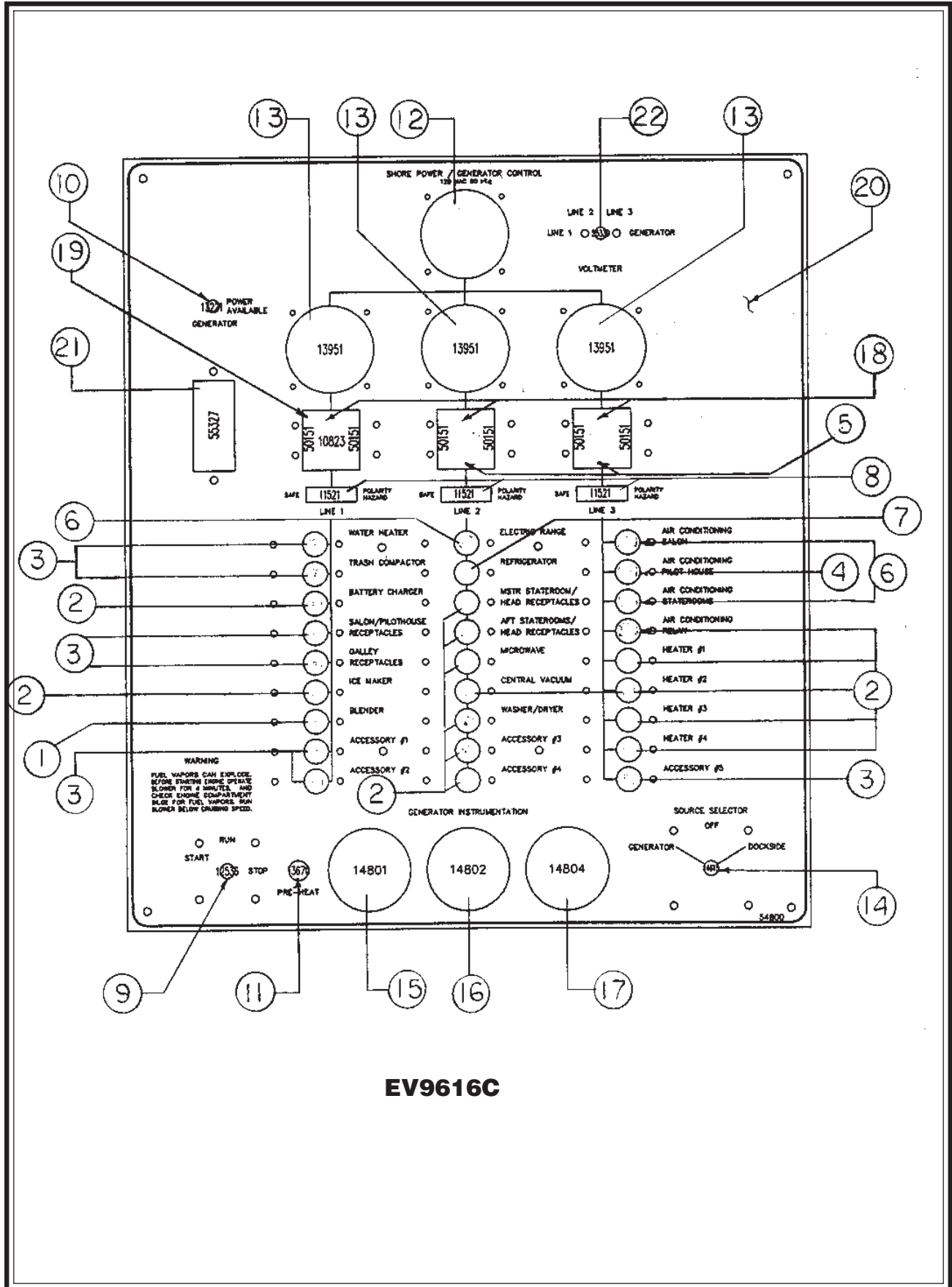
DRAWING ON FOLLOWING PAGE.



EV59728

ITEM NO.	PART NUMBER	PART DESCRIPTION	U/M	QTY.
220V AIR COND. 16/12/12 BTU(OA7) cont'd.				
AIR CONDITIONING				
*	57858	AIR COND 16000 BTU SALON GALLEY EV	EA	1
*	57857	AIR COND 16000 BTU MTR&GUEST BD EV	EA	1
*	57856	AIR COND 12000 BTU WHLHS EV	EA	1
*	55194	SEA WATER KIT-EV	EA	1
*	441	1 1/4 INTAKE STRAINER	EA	1
*	31227	SEACOCK 1 1/4" - FLANGED	EA	1
*	2756	PIPE ADP BRB 11/4X11/4MPS	EA	1
*	2755	1 1/4" SEA STRAINER	EA	1
*	2756	PIPE ADP BRB 11/4X11/4MPS	EA	2
*	1571	8 X 3/4 PFH SS	EA	6
*	1114	HOSE, WATER 5/8" SOFTWALL	FT	23
*	1271	HOSE, WATER, 9/16" CLEAR	FT	14
*	230	1-1/4" HARDWALL WATER HOSE	FT	6
*	9388	THRU-HULL CHR/BR 5/8"	EA	3
*	230	1-1/4" HARDWALL WATER HOSE	FT	4
*	619	1" HARDWALL WATER HOSE	FT	2
*	13228	AIR COND. WATER PICK-UP LABEL	EA	1
*	315-1	CLAM SHELLS MIDGET	EA	2
ELECTRICAL HARDWARE				
*	35273	DOCKSIDE INLET SS 32 AMP 220V/50HZ	EA	1
*	35274	DOCKSIDE CORD 50' 32 AMP 220V/50HZ	EA	1
*	13124	ZINC SAVER 100 AMP	EA	1
*	10823	30 AMP DBL POLE BRKR-RED	EA	1
*	10740	5 AMP BRKR RED HNDL	EA	1
*	10741	10 AMP BRKR RED HNDL	EA	2
*	10742	15 AMP BRKR RED HNDL	EA	1
*	NOT SHOWN			
EV9616B				

ITEM NO.	PART NUMBER	PART DESCRIPTION	U/M	QTY.
12.5KW GEN/AIR/HEAT 16/12/12 OPTION				
BOAT ELEC WIRING				
*	59961	PANEL ASSY, 110AC, AIR CON	EA	1
1	2883	5/8" DOMED HOLE PLUG	EA	4
*	3644	TINNERMAN PUSH-ON CLIP	EA	1
2	10740	5 AMP BRKR RED HNDL	EA	1
3	10741	10 AMP BRKR RED HNDL	EA	7
4	10742	15 AMP BRKR RED HNDL	EA	13
5	10823	30 AMP DBL POLE BRKR-RED	EA	3
6	10826	30 AMP BREAKER RED HANDLE	EA	1
7	11520	2 AMP BREAKER-RED	EA	1
8	11521	POLARITY LIGHT	EA	3
*	11531	6-32 X 1/4 PPH BLACK OX/SS	EA	60
*	11532	#6-32X1/2 PPH BLK OX/SS	EA	14
*	11533	6-32 HEX NUT	EA	14
9	12536	GEN START STOP SWITCH - WESTERBEKE	EA	1
*	12869	RIVET BLACK D3001410604 .144-.154	EA	8
10	13221	AC GREEN INDICATOR LT-LOW PROFILE	EA	1
11	13728	0-150 AC VOLTMETER	EA	1
12	13951	0-50 AC AMMETER	EA	3
*	13952	10 PLACE GROUND/NEUTRAL BUSS BAR	EA	1
13	14614	PARALLELING SWITCH-EM	EA	2
14	14801	OIL PRESSURE (EURO II)	EA	1
15	14802	WATER TEMP (EURO II)	EA	1
16	14804	VOLTMETER (EURO II)	EA	1
*	50151	ADAPTER FOR 2 POLE CKT BRKR	EA	6
*	50152	50 AMP 2 POLE CRCIT BRKR	EA	3
*	53940	BUSS BAR, .05 COPPER 6.75"X.5"	EA	3
17	55327	2GACC	EA	1
18	55339	SWITCH, VOLTMETER, 2P4T	EA	1
19	58144	SWITCH, DPST, MOMENTARY	EA	1
*	58170	SCREW, MACH, 6-32X5/8 PFH, BLACK	EA	6
20	58258	LOCKOUT, SLIDER, BREAKER	EA	3
21	59728	PANEL BLANK, ELECT, AC (EV)	EA	1
*	55073	HARNASS, A/C DOCKSIDE (4788EV)	EA	1
GENERATOR SYSTEMS				
*	9800	12.5 KW DIESEL GEN (ORDER THRU VENDOR)	EA	1
GENERATOR FUEL SYSTEMS				
*	56177	DIESEL GEN. FUEL RET. HOSE WESTERBKE	EA	1
NOT SHOWN				
DRAWING ON FOLLOWING PAGE.				

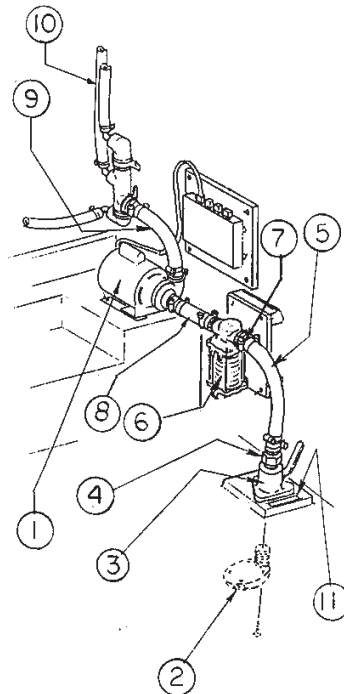


EV9616C

ITEM NO.	PART NUMBER	PART DESCRIPTION	U/M	QTY.
AIR CONDITIONING				
*	55191	AIR COND 16,000 BTU SALON GALLEY EV	EA	1
*	55192	AIR COND.16,000 BTU MTR&GUEST BD.EV	EA	1
*	55193	AIR COND 12,000 BTU WHLHS EV	EA	1
1	55194	SEA WATER KIT EV	EA	1
2	441	1 1/4 INTAKE STRAINER	EA	1
3	31227	SEACOCK 1 1/4" - FLANGED	EA	1
4	2756	PIPE ADP BRB 11/4X11/4MPS	EA	1
5	230	1-1/4" HARDWALL WATER HOSE	FT	2
6	2755	1 1/4" SEA STRAINER	EA	1
7	2756	PIPE ADP BRB 11/4X11/4MPS	EA	2
8	230	1-1/4" HARDWALL WATER HOSE	FT	1
9	230	1-1/4" HARDWALL WATER HOSE	FT	2
10	1114	HOSE,WATER 5/8" SOFTWALL	FT	23
*	1271	HOSE WATER 9/16" CLR	FT	14
*	9388	THRU-HULL CHR/BR 5/8"	EA	5
*	619	1" HARDWALL WATER HOSE	FT	4
11	13228	AIR COND. WATER PICK-UP LABEL	EA	1
*	52365	1" PIPE TO HOSE ADAPTER	EA	3
*	315-1	CLAM SHELLS MIDGET	EA	2
ELECTRICAL HARDWARE				
*	7131	POWER INLET 50AMP/125VOLT	EA	1
*	7082	CORD 50 AMP/125 VOLT 50'	EA	1
*	10824	50 AMP DBL POLE BRKR-RED	EA	1
*	10744	25 AMP BRKR RED HNDL	EA	2
*	10741	10 AMP BRKR RED HNDL	EA	1
*	10826	30 AMP BREAKER RED HANDLE	EA	1
*	13124	ZINC SAVER 100 AMP	EA	1
*	7090	WALL BOX	EA	3
*	232	BLANK PLATE	EA	3

* NOT SHOWN

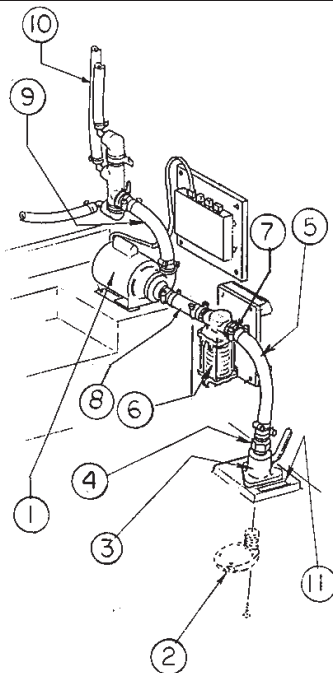
EV9616D



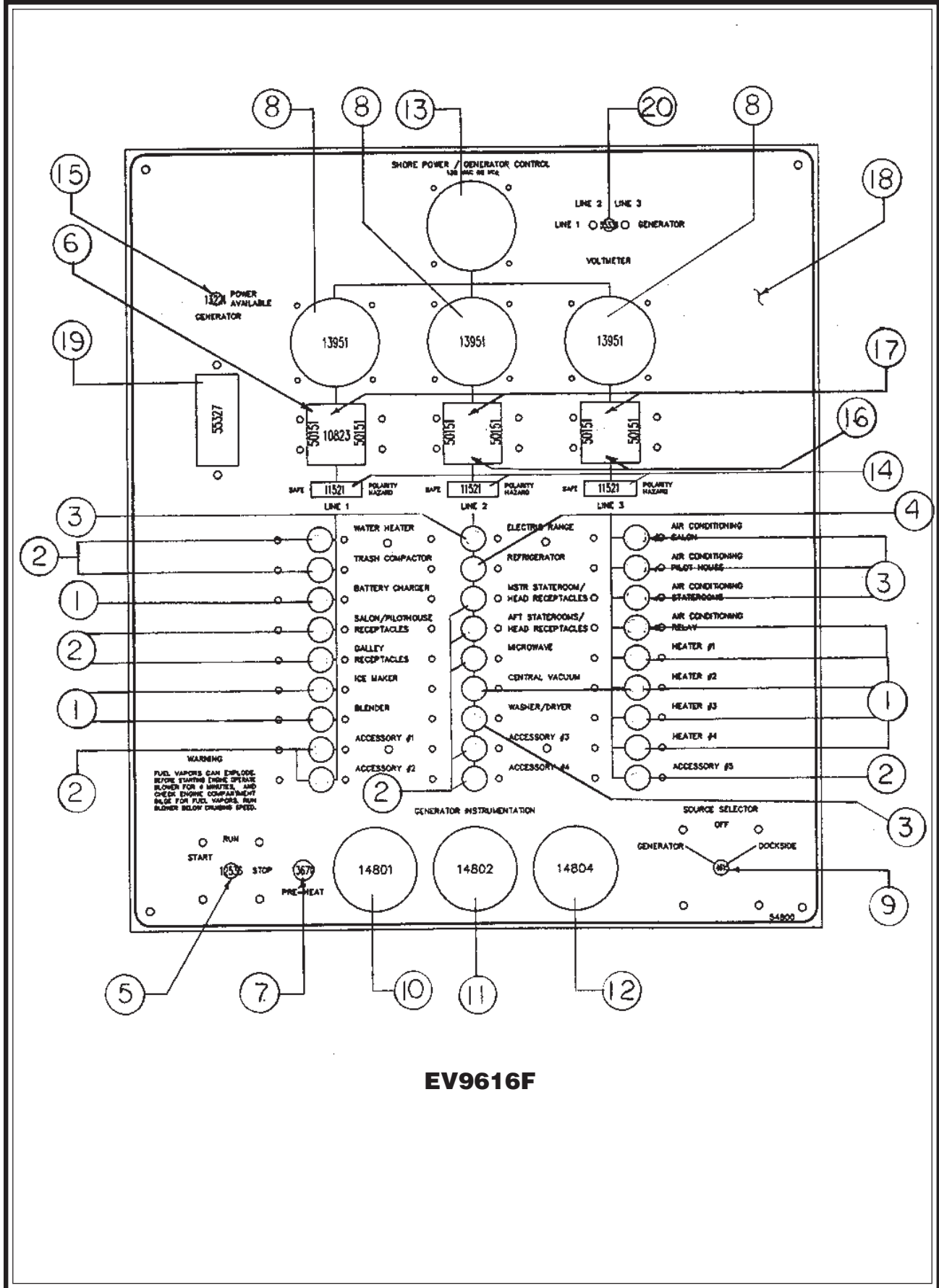
ITEM NO.	PART NUMBER	PART DESCRIPTION	U/M	QTY.
110V-12.5KW GEN/AIRCOND-16/12/16BTU BOAT ELEC WIRING				
*	59961	PANEL ASSY, 110AC, AIR CON	EA	1
1	2883	5/8" DOMED HOLE PLUG	EA	4
*	3644	TINNERMAN PUSH-ON CLIP	EA	1
2	10740	5 AMP BRKR RED HNDL	EA	1
3	10741	10 AMP BRKR RED HNDL	EA	7
4	10742	15 AMP BRKR RED HNDL	EA	13
5	10823	30 AMP DBL POLE BRKR-RED	EA	3
6	10826	30 AMP BREAKER RED HANDLE	EA	1
7	11520	2 AMP BREAKER-RED	EA	1
8	11521	POLARITY LIGHT	EA	3
*	11531	6-32 X 1/4 PPH BLACK OX/SS	EA	60
*	11532	#6-32X1/2 PPH BLK OX/SS	EA	14
*	11533	6-32 HEX NUT	EA	14
9	12536	GEN START STOP SWITCH - WESTERBEKE	EA	1
*	12869	RIVET BLACK D3001410604 .144-.154	EA	8
10	13221	AC GREEN INDICATOR LT-LOW PROFILE	EA	1
11	13728	0-150 AC VOLTMETER	EA	1
12	13951	0-50 AC AMMETER	EA	3
*	13952	10 PLACE GROUND/NEUTRAL BUSS BAR	EA	1
13	14614	PARALLELING SWITCH-EM	EA	2
14	14801	OIL PRESSURE (EURO II)	EA	1
15	14802	WATER TEMP (EURO II)	EA	1
16	14804	VOLTMETER (EURO II)	EA	1
*	50151	ADAPTER FOR 2 POLE CKT BRKR	EA	6
*	50152	50 AMP 2 POLE CRCIT BRKR (12/FLAT)	EA	3
*	53940	BUSS BAR, .05 COPPER 6.75"X.5"	EA	3
17	55327	2GACC	EA	1
18	55339	SWITCH, VOLTMETER, 2P4T	EA	1
19	58144	SWITCH,DPST,MOMENTARY	EA	1
*	58170	SCREW,MACH,6-32X5/8 PFH,BLACK	EA	6
20	58258	LOCKOUT, SLIDER, BREAKER	EA	3
21	59728	PANEL BLANK, ELECT, AC (EV)	EA	1
*	55073	HARNES, A/C DOCKSIDE (4788EV)	EA	1
GENERATOR SYSTEMS				
*	9800	12.5 KW DIESEL GEN (ORDER THRU VENDOR)	EA	1
GENERATOR FUEL SYSTEMS				
*	56177	DIESEL GEN. FUEL RET.HOSE WESTERBKE	EA	1
* NOT SHOWN				
REFER TO DRAWING ON PAGE 71.				

ITEM NO.	PART NUMBER	PART DESCRIPTION	U/M	QTY.
110V-12.5KW GEN/AIRCOND-16/12/16BTU cont'd.				
AIR CONDITIONING				
*	57858	AIR COND 16,000 BTU SALON GALLEY EV	EA	1
*	57857	AIR COND.16,000 BTU MTR&GUEST BD.EV	EA	1
*	57856	AIR COND 12,000 BTU WHLHS EV	EA	1
1	55194	SEA WATER KIT EV	EA	1
2	441	1 1/4 INTAKE STRAINER	EA	1
3	31227	SEACOCK 1 1/4" - FLANGED	EA	1
4	2756	PIPE ADP BRB 11/4X11/4MPS	EA	1
5	230	1-1/4" HARDWALL WATER HOSE	FT	2
6	2755	1 1/4" SEA STRAINER	EA	1
7	2756	PIPE ADP BRB 11/4X11/4MPS	EA	2
8	230	1-1/4" HARDWALL WATER HOSE	FT	1
9	230	1-1/4" HARDWALL WATER HOSE	FT	2
10	1114	HOSE,WATER 5/8" SOFTWALL	FT	23
*	1271	HOSE WATER 9/16" CLR	FT	14
*	9388	THRU-HULL CHR/BR 5/8"	EA	5
*	619	1" HARDWALL WATER HOSE	FT	4
11	13228	AIR COND. WATER PICK-UP LABEL	EA	1
*	52365	1" PIPE TO HOSE ADAPTER	EA	3
*	315-1	CLAM SHELLS MIDGET	EA	2
ELECTRICAL HARDWARE				
*	7131	POWER INLET 50AMP/125VOLT	EA	1
*	7082	CORD 50 AMP/125 VOLT 50'	EA	1
*	10824	50 AMP DBL POLE BRKR-RED	EA	1
*	10744	25 AMP BRKR RED HNDL	EA	2
*	10741	10 AMP BRKR RED HNDL	EA	1
*	10826	30 AMP BREAKER RED HANDLE	EA	1
*	13124	ZINC SAVER 100 AMP	EA	1
*	7090	WALL BOX	EA	3
*	232	BLANK PLATE	EA	3
*	NOT SHOWN			

EV9616E



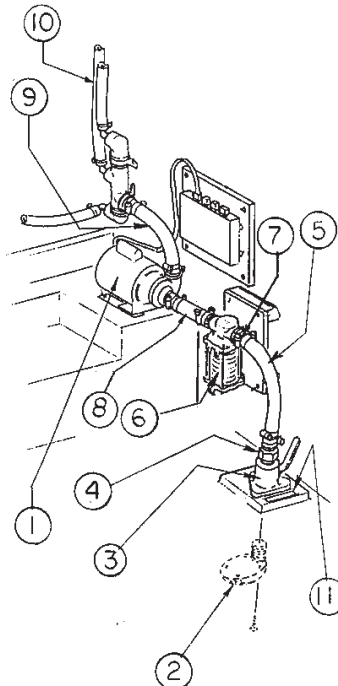
ITEM NO.	PART NUMBER	PART DESCRIPTION	U/M	QTY.
220V-9.4KW GEN AIRCOND-16/12/16 BTU BOAT ELEC WIRING				
*	59963	PANEL ASSY, 220AC, EXPORT AIR	EA	1
1	2883	5/8" DOMED HOLE PLUG	EA	4
*	3644	TINNERMAN PUSH-ON CLIP	EA	1
2	10740	5 AMP BRKR RED HNDL	EA	1
3	10741	10 AMP BRKR RED HNDL	EA	7
4	10742	15 AMP BRKR RED HNDL	EA	13
5	10823	30 AMP DBL POLE BRKR-RED	EA	3
6	10826	30 AMP BREAKER RED HANDLE	EA	1
7	11520	2 AMP BREAKER-RED	EA	1
8	11521	POLARITY LIGHT	EA	3
*	11531	6-32 X 1/4 PPH BLACK OX/SS	EA	60
*	11532	#6-32X1/2 PPH BLK OX/SS	EA	14
*	11533	6-32 HEX NUT	EA	14
9	12536	GEN START STOP SWITCH - WESTERBEKE	EA	1
*	12869	RIVET BLACK D3001410604 .144-.154	EA	8
10	13221	AC GREEN INDICATOR LT-LOW PROFILE	EA	1
11	13728	0-150 AC VOLTMETER	EA	1
12	13951	0-50 AC AMMETER	EA	3
*	13952	10 PLACE GROUND/NEUTRAL BUSS BAR	EA	1
13	14614	PARALLELING SWITCH-EM	EA	2
14	14801	OIL PRESSURE (EURO II)	EA	1
15	14802	WATER TEMP (EURO II)	EA	1
16	14804	VOLTMETER (EURO II)	EA	1
*	50151	ADAPTER FOR 2 POLE CKT BRKR	EA	6
*	50152	50 AMP 2 POLE CRCIT BRKR	EA	3
*	53940	BUSS BAR, .05 COPPER 6.75"X.5"	EA	3
17	55327	2GACC	EA	1
18	55339	SWITCH, VOLTMETER, 2P4T	EA	1
19	58144	SWITCH,DPST,MOMENTARY	EA	1
*	58170	SCREW,MACH,6-32X5/8 PFH,BLACK	EA	6
20	58258	LOCKOUT, SLIDER, BREAKER	EA	3
21	59728	PANEL BLANK, ELECT, AC (EV)	EA	1
*	55073	HARNES, A/C DOCKSIDE (4788EV)	EA	1
GENERATOR SYSTEMS				
*	9800	12.5 KW DIESEL GEN(ORDER THRU VENDOR)	EA	1
*	NOT SHOWN			
DRAWING ON FOLLOWING PAGE.				



EV9616F

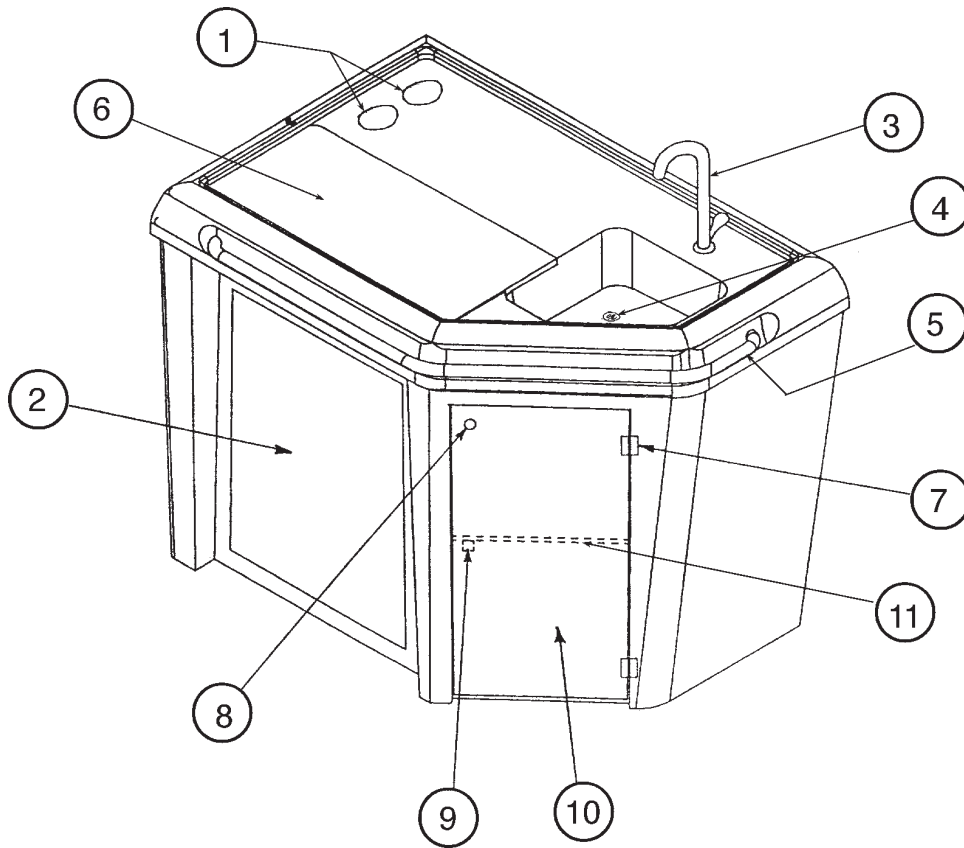
ITEM NO.	PART NUMBER	PART DESCRIPTION	U/M	QTY.
220V-9.4KW GEN AIRCOND-16/12/16 BTU cont'd.				
AIR CONDITIONING				
*	57861	AIR COND SALON/GALLEY EV 220V/50H	EA	1
*	57860	AIR COND WHEELHSE EV 220/50H 12M	EA	1
*	57859	AIRCOND-MSTR/GUES 220V/50H 16,000M	EA	1
1	55190	SEA WATER KIT EV 220V/50H	EA	1
2	441	1 1/4 INTAKE STRAINER	EA	1
3	31227	SEACOCK 1 1/4" - FLANGED	EA	1
4	2756	PIPE ADP BRB 11/4X11/4MPS	EA	1
5	230	1-1/4" HARDWALL WATER HOSE	FT	2
6	2755	1 1/4" SEA STRAINER	EA	1
7	2756	PIPE ADP BRB 11/4X11/4MPS	EA	2
8	230	1-1/4" HARDWALL WATER HOSE	FT	1
9	230	1-1/4" HARDWALL WATER HOSE	FT	2
10	1114	HOSE,WATER 5/8" SOFTWALL	FT	23
*	1271	HOSE WATER 9/16" CLR	FT	14
*	9388	THRU-HULL CHR/BR 5/8"	EA	5
*	619	1" HARDWALL WATER HOSE	FT	4
11	13228	AIR COND. WATER PICK-UP LABEL	EA	1
*	52365	1" PIPE TO HOSE ADAPTER	EA	3
*	315-1	CLAM SHELLS MIDGET	EA	2
ELECTRICAL HARDWARE				
*	35273	DOCKSIDE INLET SS 32 AMP 220V/50HZ	EA	1
*	35274	DOCKSIDE CORD 50' 32 AMP 220V/50HZ	EA	1
*	13124	ZINC SAVER 100 AMP	EA	1
*	10823	30 AMP DBL POLE BRKR-RED	EA	1
*	10740	5 AMP BRKR RED HNDL	EA	1
*	10741	10 AMP BRKR RED HNDL	EA	2
*	10742	15 AMP BRKR RED HNDL	EA	1
*	NOT SHOWN			

EV9616G



ITEM NO.	PART NUMBER	PART DESCRIPTION	U/M	QTY.
CMND BRIDGE ENTERTAINMENT CENTER(OBF)				
HULL INT ASSY HARDWARE				
1	58874	CUPHOLDER DUAL STACK,BLK	EA	2
*	13169	COUNTERSINK WASHER - CLEAR	EA	6
*	14953	SNAP CAP-WHITE	EA	6
*	31584	MOTOR WELL BOOT	EA	2
*	33538	MOTOR WELL BOOT REINFORCEMENT RING	EA	2
ELECTRICAL HARDWARE				
2	59492	REFRIGERATOR 110V (DE 351) WS 1787	EA	1
*	86491	REFER INSERT (LAMINATE-FROSTY WHITE CTG)	SF	3
*	60784	STRAIN RELIEF FITTING	EA	1
*	36192	LOCK NUT F/36000	EA	1
*	51512	GROUND FAULT RECEPTACLE	EA	1
*	51628	WALL BOX F/GFI (FIBRE)	EA	1
*	9015	COVER PLATE F/GFR	EA	1
FRESH WATER SYSTEM				
*	57897	H2O HOSE 5/8" BLUE STRP. 2500/5000	FT	22
SINK DRAIN SYSTEM				
3	13840	TOUCH-FLO FAUCET W/ADAPTOR	EA	1
4	57543	SINK STRAINER, 2", S/S	EA	1
*	4790-E	DRAIN ELBOW ONLY UN24	EA	1
*	57544	DRAIN SLIP NUT	EA	1
*	57545	WASHER 1.30 I.D. X 1.80 O.D. X .125	EA	1
*	1115	SFTWL H2O HOSE 3/4"	FT	10
GRAB/HAND RAILS				
5	59403	RAIL,ENT CENTER GRAB	EA	1
BRIDGE COVER				
*	60546	ENT. CENTER COVER(4788EV)(35250 BLK. SNBRLLA)	EA	EA
	59635	3/4" VELCRO HOOK BLACK	LY	3
*	59634	3/4" VELCRO LOOP BLACK	LY	3
	86492			
ENT. CENTER CLOSEOUT (VINYL-YACHT WHITE # 50025)				
*	53959	CAP—FASTSNAP	EA	2
*	53957	SOCKET—FASNAP	EA	2
*	53958	STUD—FASNAP	EA	2
MISC WOOD SHOP ASSY'S				
6	86488	CUTTING BOARD (#38339 WHT/WHT HDPE)	EA	1
10	86489	STORAGE DOOR ASSY (#38339 WHT/WHT HDPE)	EA	1
7	58962	HINGE ADJUSTABLE BLK	EA	2
8	59237	KNOB,WHITE	EA	1
9	36327	WHITE CATCH F/HATCH HINGE	EA	1
11	86490	STORAGE MIDDLE SHELF (#38339 WHT/WHT HDPE)	EA	1
*	NOT SHOWN			

DRAWING ON FOLLOWING PAGE.



EV9616H

ITEM NO.	PART NUMBER	PART DESCRIPTION	U/M	QTY.
220V CMND BRIDGE ENTERTAINMENT CENTER (OBJ)				
HULL INT ASSY HARDWARE				
	58874	CUPHOLDER DUAL STACK,BLK	EA	2
*	1571	8 X 3/4 PFH SS	EA	6
*	13169	COUNTERSINK WASHER - CLEAR	EA	6
*	14953	SNAP CAP-WHITE	EA	6
*	1571	8 X 3/4 PFH SS	EA	3
ELECTRICAL HARDWARE				
2	59493	REFRIGERATOR 220V (EV351) WS 34859 (#86491 AMNT.)	EA	1
*	86491	REFER INSERTLAMINATE-FROSTY WHITE CTG	SF	3
*	60784	STRAIN RELIEF FITTING	EA	1
*	36192	LOCK NUT F/36000	EA	1
*	7090	WALL BOX	EA	1
*	232	BLANK PLATE	EA	1
FRESH WATER SYSTEM				
*	57897	H2O HOSE 5/8" BLUE STRP.	FT	15
SINK DRAIN SYSTEM				
3	13840	TOUCH-FLO FAUCET W/ADAPTOR	EA	1
4	57543	SINK STRAINER, 2",S/S	EA	1
*	4790-E	DRAIN ELBOW ONLY	EA	1
*	57544	DRAIN SLIP NUT	EA	1
*	57545	WASHER 1.30 I.D. X 1.80 O.D. X .125	EA	1
*	1115	SFTWL H2O HOSE 3/4"	FT	10
*	9392	THRU-HULL 1.5" CHR/BRNZ	EA	1
GRAB/HAND RAILS				
5	59403	RAIL,ENT CENTER GRAB	EA	1
BRIDGE COVER**				
*	60546	ENTERTAINMENT CENTER COVER(4788EV)	EA	1
*	35250	CANVAS-BLACK SUNBRELLA 60"	LY	4
*	59635	3/4" VELCRO HOOK BLACK	LY	3
*	59634	3/4" VELCRO LOOP BLACK	LY	3
86492		ENT. CENTER CLOSEOUT(VINYL-Y/ W #50025)	EA	1
*	53959	CAP—FASTSNAP	EA	2
*	53957	SOCKET—FASNAP	EA	2
*	53958	STUD—FASNAP	EA	2
MISC WOOD SHOP ASSY'S				
6	86488	CUTTING BOARD(#38339 WHT/WHT HDPE)	EA	1
10	86489	STORAGE DOOR ASSY (#38339 WHT/WHT HDPE)	EA	1
7	58962	HINGE ADJUSTABLE BLK	EA	2
8	59237	KNOB,WHITE	EA	1
9	36327	WHITE CATCH F/HATCH HINGE	EA	1
11	86490	STORAGE MIDDLE SHELF (#38339 WHT/WHT HDPE)	EA	1

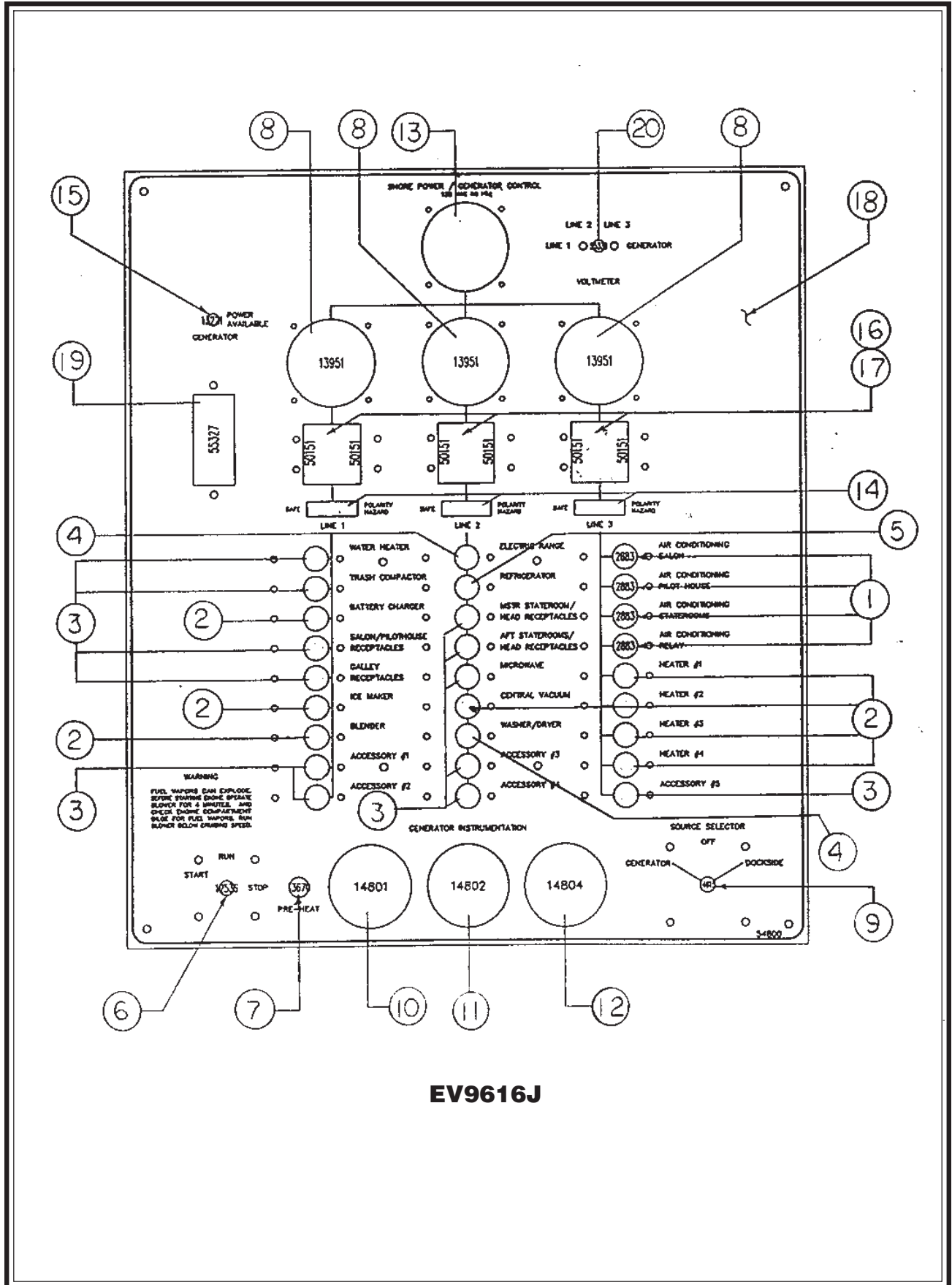
* NOT SHOWN

****THERE IS AN ADDITIONAL CHARGE FOR THIS COVER WITH THIS OPTION.**

DRAWING LOCATED ON PAGE 79.

ITEM NO.	PART NUMBER	PART DESCRIPTION	U/M	QTY.
	85248	CANVAS ASSEMBLY (COMPLETE)		
	55671	BIMINI TOP BOW ASSY 4788EV	EA	1
1	55671-A	#1 MAIN BOW	EA	1
2	55671-B	#2 BOW	EA	1
3	55671-C	#3 BOW	EA	1
4	55671-D	FWD BRACE, 35-3/4"	EA	2
5	55697	TOP SLIDE/CAP ASSY 1"SS	EA	6
6	55695	ANGLED DECK HINGE/CAP ASSY-1"W/PI	EA	4
*	53095	RETAINING STRAP (BLACK)	EA	2
		MISC CANVAS HARDWARE		
*	32244	1" BLACK NYLON WEBBING	FT	
*	81	SNAP BUTTON	EA	1
*	82	SNAP SOCKET	EA	1
*	83	SNAP STUD	EA	1
*	84	SNAP EYE	EA	1
*	11563	SMALL BASE CANVAS STUD	EA	16
*	88	TURNBUCKLE EYE	EA	7
*	89	TURNBUCKLE WASHER	EA	7
*	90	TURNBUCKLE STUD	EA	7
*	63193	60"BLK SEP. DOUBLE PULL ZIPPER	EA	2
*	52224	BLK ZIPPER STOP	EA	4
*	55558	BIMINI TOP 4788EV	EA	1
*	55559	BIMINI BOOT 4788EV	EA	1
* NOT SHOWN				
<p style="text-align: center;">EV9616I</p>				

ITEM NO.	PART NUMBER	PART DESCRIPTION	U/M	QTY.
50 AMP DOCKSIDE UPGRADE				
ELECTRICAL HARDWARE				
*	7082	CORD 50 AMP/125 VOLT 50'	EA	3
*	50152	50 AMP 2 POLE CIRCUIT BREAKER	EA	3
*	7131	POWER INLET 50AMP/125VOLT	EA	3
*	13124	ZINC SAVER 100 AMP	EA	1
TV/VCR OPTION				
AUDIO VISUAL EQUIPMENT				
*	52689	JVC VCR ENTERTAINMENT CENTER OPT.	EA	1
*	55126	20"COLOR T.V.	EA	1
220V/50HZ ELECTRICAL CONVERSION				
BOAT ELEC WIRING				
*	59962	PANEL ASSY, 220 AC, EXPORT	EA	1
1	2883	5/8" DOMED HOLE PLUG (MIN. 5M)	EA	4
*	3644	TINNERMAN PUSH-ON CLIP	EA	1
2	10740	5 AMP BRKR RED HNDL (36/FLAT)	EA	1
3	10741	10 AMP BRKR RED HNDL	EA	7
4	10742	15 AMP BRKR RED HNDL (36/FLAT)	EA	13
5	10823	30 AMP DBL POLE BRKR-RED (12/FLAT)	EA	3
6	10826	30 AMP BREAKER RED HANDLE (36/FLAT)	EA	1
7	11520	2 AMP BREAKER-RED	EA	1
8	11521	POLARITY LIGHT	EA	3
*	11531	6-32 X 1/4 PPH BLACK OX/SS	EA	60
*	11532	#6-32X1/2 PPH BLK OX/SS	EA	14
*	11533	6-32 HEX NUT	EA	14
9	12536	GEN START STOP SWITCH - WESTERBEKE	EA	1
*	12869	RIVET BLACK D3001410604 .144-.154	EA	8
10	13221	AC GREEN INDICATOR LT-LOW PROFILE	EA	1
11	13728	0-150 AC VOLTMETER	EA	1
12	13951	0-50 AC AMMETER	EA	3
*	13952	10 PLACE GROUND/NEUTRAL BUSS BAR	EA	1
13	14614	PARALLELING SWITCH-EM	EA	2
14	14801	OIL PRESSURE (EURO II)	EA	1
15	14802	WATER TEMP (EURO II)	EA	1
16	14804	VOLTMETER (EURO II)	EA	1
*	50151	ADAPTER FOR 2 POLE CKT BRKR	EA	6
*	50152	50 AMP 2 POLE CRCIT BRKR (12/FLAT)	EA	3
*	53940	BUSS BAR, .05 COPPER 6.75"X.5"	EA	3
17	55327	2GACC	EA	1
18	55339	SWITCH, VOLTMETER, 2P4T	EA	1
19	58144	SWITCH,DPST,MOMENTARY	EA	1
*	58170	SCREW,MACH,6-32X5/8 PFH,BLACK	EA	6
20	58258	LOCKOUT, SLIDER, BREAKER	EA	3
21	59728	PANEL BLANK, ELECT, AC (EV)	EA	1
* NOT SHOWN				
DRAWING ON FOLLOWING PAGE.				



EV9616J

ITEM NO.	PART NUMBER	PART DESCRIPTION	U/M	QTY.
220V/50HZ ELECTRICAL CONVERSION cont'd.				
HULL INT ASSY HARDWARE				
*	59522	REFER FLUSH MOUNT 220V/50H	EA	1
*	34856	WALL VAC/ACCY KIT 220V/50H	EA	1
*	59667	HEATER 220V, DREAM WHITE 750W	EA	2
*	59668	HEATER 220V, BLACK 750W	EA	2
*	58775	ELECT RANGE, 240V/50H	EA	1
*	34860	ICE MAKER 220V/50HZ RECESSED	EA	1
*	34861	PWR UNIT & BLENDER 220V/50H	EA	1
*	64384	MICROWAVE 220V/50HZ (WHITE)	EA	1
*	2379	J-TRACK 1-1/8" 12'	FT	1
*	36722	RANGE HOOD DUCTLESS 12V BLK	EA	1
*	35212	TRASH COMPACTOR 220V 50H	EA	1
HULL INT LABELS				
*	35034	LABEL 220 VAC 50HZ EXPORT	EA	1
ELECTRICAL HARDWARE				
*	34869	40/60 AMP BATT CHGR 220V/50H	EA	1
*	34865	POWER INLET 16AMP 220V/50H	EA	3
*	34866	CORD W/RING 50'16AMP 220V/50HZ	EA	3
*	232	BLANK PLATE	EA	22
*	13431	HOLE PLUG FOR RECT. SWITCH	EA	1
*	32393	6 AMP PUSH-TO-RESET BRKR,SNAP IN	EA	1
*	7090	WALL BOX	EA	3
FRESH WATER SYSTEM				
*	56211	220V/50HZ WATER HEATER-18GAL.	EA	1
AUDIO VISUAL EQUIPMENT				
*	53842	STEP DOWN ISOLATION	EA	1
WOOD FOR DOOR MISC.				
*	12806-3-14	22"X6"TEAK DOOR HOLES 3" F/ENDS	EA	1
EUROPEAN STEREO EXCHANGE				
AUDIO VISUAL EQUIPMENT				
*	54523	STEREO AM/FM CASSETTE EURO SPEC	EA	2
*	54524	RADIO BOX EURO SPEC (DIN MOUNT)	EA	1
*	NOT SHOWN			

ITEM NO.	PART NUMBER	PART DESCRIPTION	U/M	QTY.
WASHER/DRYER COMBO OPTION (OWA)				
BOAT ELEC WIRING				
*	11895	WASHER-DRYER COMBO HARN	EA	1
HULL INT ASSY HARDWARE				
*	64161	WASHER/DRYER SELF VENT	EA	1
HULL INT LABELS				
*	32946	"HOT" LABEL	EA	1
*	32947	"COLD" LABEL	EA	1
*	13233	WASHER DISCHARGE LABEL	EA	1
ELECTRICAL HARDWARE				
*	7090	WALL BOX	EA	1
*	1713	COVER PLATE	EA	1
*	1704	DUPLEX RECEP IVORY	EA	1
FRESH WATER SYSTEM				
*	34071	5/8 PLYBUTYLENE PIPE	FT	30
*	51896	STRAIGHT FEMALE ADAPTER	EA	2
*	50195	ALUM TRIM LOWER 54"	EA	2
*	10873	3/4"F TO 1/2"M BRS ADPTER	EA	1
*	14790	BALL VALVE, 1/2" BRZ	EA	2
*	1115	SFTWL H2O HOSE 3/4"	FT	15
*	32183	1/2NPTX3/8BRB BRS ADP	EA	2
*	9389	THRU-HULL 3/4" CHR/BRNZ	EA	1
CABINET ASSEMBLY				
*	55292	5/8" LAM-PLY IVORY ESSENCE	SF	3
*	12385	TEAK-UPPER SEA RAIL	FT	4
220V/50HZ WASHER/DRYER COMBO (OWB)				
BOAT ELEC WIRING				
*	11895	WASHER-DRYER COMBO HARN	EA	1
HULL INT ASSY HARDWARE				
*	34840	WASHER/DRYER COMBOMATIC 220V/50H	EA	1
HULL INT LABELS				
*	32946	"HOT" LABEL	EA	1
*	32947	"COLD" LABEL	EA	1
*	13233	WASHER DISCHARGE LABEL	EA	1
ELECTRICAL HARDWARE				
*	7090	WALL BOX	EA	1
*	1713	COVER PLATE	EA	1
*	1704	DUPLEX RECEP IVORY	EA	1
FRESH WATER SYSTEM				
*	34071	5/8 PLYBUTYLENE PIPE	FT	30
*	50195	ALUM TRIM LOWER 54"	EA	2
*	10873	3/4"F TO 1/2"M BRS ADPTER	EA	2
*	14790	BALL VALVE, 1/2" BRZ	EA	2
*	1115	SFTWL H2O HOSE 3/4"	FT	15
*	31229	3/4" BRBX3/4"MIPT W/1.5" BARB	EA	1
*	9389	THRU-HULL 3/4" CHR/BRNZ	EA	1
*	NOT SHOWN			

ITEM NO.	PART NUMBER	PART DESCRIPTION	U/M	QTY.
TWIN 7.4L GAS ENGINE				
HULL BASIC/SHOP SUPPLIES				
*	58351	1" ACOUSTICAL FOAM W/PSA	FT	57
*	4354	2" WIDE ALUM TAPE UN24-216'/RL	RL	3
BOAT ELEC WIRING				
*	60189	HARNESS, ENG/ACCY (EV GAS)	EA	1
*	60190	PANEL ASSY, L/S, EV GAS	EA	1
*	31267	10 AMP FUSE #P-3087	EA	10
LOWER GAUGE PANEL				
*	33802	OIL PRESSURE - ELITE	EA	2
*	33803	WATER TEMP - ELITE	EA	2
*	33804	FUEL LEVEL - ELITE	EA	2
*	33805	VOLTMETER - ELITE	EA	2
*	33807	SMALL BLANK - ELITE	EA	1
*	33808	LARGE BLANK - ELITE	EA	1
*	57327	BACKING PLATE, GAUGE, SMALL	EA	9
*	57328	BACKING PLATE, GAUGE, LARGE	EA	3
*	58169	SCREW,MACH,10-32X3/8 PPH STAINLES	EA	24
*	60011	PANEL BLANK, ISNT, LOWER (EV)	EA	1
LOWER SWITCH PANEL				
*	3644	TINNERMAN PUSH-ON CLIP	EA	1
*	3984	RHEOSTAT 25 WATT 10 OHM	EA	1
*	13222	DC AMBER INDICATOR LT-LOW PROFILE	EA	2
*	13224	DC RED INDICATOR LT-LOW PROFILE	EA	3
*	13225	DC BLUE INDICATOR LT-LOW PROFILE	EA	6
*	14660	AUDIO VISUAL DUAL ALARM	EA	2
*	32393	6 AMP PUSH-TO-RESET BRKR,SNAP IN	EA	2
*	32939	RHEOSTAT KNOB	EA	1
*	50606	IGNITION SWITCH FOR I/O	EA	2
*	52491	SWITCH SPST, ON-OFF	EA	14
*	52492	SWITCH SPST, MOMENTARY ON-OFF	EA	2
*	52493	SWITCH SPDT, ON-ON	EA	2
*	60181	PANEL BLANK, L/S SWITCH	EA	1
*	60191	PANEL ASSY, U/S, EV GAS	EA	1
*	31267	10 AMP FUSE #P-3087	EA	10
UPPER GAUGE PANEL				
*	33802	OIL PRESSURE - ELITE	EA	2
*	33803	WATER TEMP - ELITE	EA	2
*	33805	VOLTMETER - ELITE	EA	2
*	33807	SMALL BLANK - ELITE	EA	1
*	57327	BACKING PLATE, GAUGE, SMALL	EA	7
*	57328	BACKING PLATE, GAUGE, LARGE	EA	2
*	58169	SCREW,MACH,10-32X3/8 PPH STAINLES	EA	18
*	60012	PANEL BLANK, INST, UPPER (EV)	EA	1
*	NOT SHOWN			

ITEM NO.	PART NUMBER	PART DESCRIPTION	U/M	QTY.
UPPER SWITCH PANEL				
*	3644	TINNERMAN PUSH-ON CLIP	EA	9
*	3984	RHEOSTAT 25 WATT 10 OHM	EA	1
*	13224	DC RED INDICATOR LT-LOW PROFILE	EA	3
*	13225	DC BLUE INDICATOR LT-LOW PROFILE	EA	6
*	32939	RHEOSTAT KNOB	EA	1
*	52491	SWITCH SPST, ON-OFF	EA	9
*	52492	SWITCH SPST, MOMENTARY ON-OFF	EA	1
*	55301	PANEL,BLANK,SWITCH,C/B UPPER MIN	EA	1
UPPER IGNITION PANEL				
*	14660	AUDIO VISUAL DUAL ALARM	EA	2
*	50606	IGNITION SWITCH FOR I/O	EA	2
*	60182	PANEL BLANK, IGNITION, U/S	EA	1
*	61088	HARNASS,GENERATOR,GAS(EV) PROP	EA	1
*	57291	22X22X4BL LH NIBRAL PROP 1 3/4SF 5H	EA	1
*	57290	22X22X4BL RH NIBRAL PROP 1 3/4SH 5H	EA	1
ENGINE SYSTEMS				
*	36316	7.4L I/B 2.5 HURTH FWC/3"RIS	EA	2
*	60797	GAS MOTOR MOUNT,AFT INBOARD (6MIN)	EA	2
*	60798	GAS MOTOR MOUNT,AFT INBOARD (6MIN)	EA	2
*	60799	GAS MOTOR MOUNT,FWD INBOARD (6MIN)	EA	2
*	60800	GAS MOTOR MOUNT,FWD INBOARD	EA	2
*	37487	MOTOR MOUNT WASHERS/200	EA	24
*	55459	1 1/2OD X .500ID X .125 WASHER	EA	16
*	55227	SHAFT-92"L X 1.75"DIA-47EV	EA	2
*	55224	STRUT W/BEARING 1 3/4" DIA 47EV	EA	2
*	39731	STRUT BACKING WASHER (BRASS/200)	EA	16
*	54309	ST BOX 1.75 BOREX3.5 HOSE ER/N/H ML	EA	2
*	55048	TRIANGLE FLANGE T-HULL 3.5"ODX 3"ID	EA	2
*	55106	3.50"i.D.SOFTWALL EXH.HOSE UN 12.5'	FT	1
*	624	HOSE,FUEL FEED,3/8"-250'/RL	FT	6
*	702-EC	3/8BRB X 1/8MIP BRS M ADP	EA	2
*	694-EC	3/8BRB X 1/4MIP BRS M ADP	EA	2
*	58796	1 3/4" SHAFT ZINC	EA	2
*	02504-1	OIL SENDER DUAL (100)	EA	2
*	02031	TEMP SENDER DUAL 3/8 NPT (100)	EA	2
*	2825	OIL PRS SWCH-STEWART-WARN (25 MIN)	EA	1
*	2X1BRB	1/4 X 1/8 BRS BUSH \$50MIN.	EA	1
SHIFTER & CONTROL CABLE				
*	1423	21'SUPREME CABLE 15/	EA	4
*	1431	29' SUPREME CABLE	EA	2
*	1424	22' SUPREME CABLE 10/	EA	2
*	55294	TWIN THROTTLES (RED)	EA	2
*	55297	TWIN SHIFT (BLACK)	EA	2
*	55296	DUAL STATION KIT	EA	2
*	14693	MERC CABLE CONNECTOR KIT	KT	2
*	36716	TERMINAL EYE	EA	2
*	36717	TERMINAL EYE PIN FIT	EA	2
*	NOT SHOWN			

ITEM NO.	PART NUMBER	PART DESCRIPTION	U/M	QTY.
ENGINE EXHAUST SYSTEM				
*	32820	4X4X5 EXHAUST TEE	EA	2
*	3888	4" X 90 EXH ELBOW-BRASS	EA	2
*	37207	5" CORRUGATED HARDWALL EXH HOSE	FT	20
*	52400	MUFFLER 5" IN-LINE	EA	2
*	271	4" SOFTWALL EXH. HOSE UN-12.5'	FT	10
*	NOTE\$	\$	EA	22
ENGINE FUEL SYSTEM				
*	11992	FUEL FILL CHROME BRASS UN25	EA	2
*	625	HOSE, FUEL FILL 1-1/2 " 50' RL	FT	11
*	623	HOSE,FUEL VENT,5/8"-250'/RL	FT	14
*	1571	8 X 3/4 PFH SS	EA	4
*	1703	TANK VENT	EA	2
*	32575	1/2" ALUM PIPE PLUG	EA	6
*	624	HOSE,FUEL FEED,3/8"-250'/RL	FT	43
*	50-60002	1/4 NPTF X 3/8 ALUM ANTI-SYPHON VLV	EA	4
*	A60328	PANEL ASSY, FUEL MM, GAS W/GEN	EA	1
*	539	1/2 X CLO BRS NPL	EA	3
*	14790	BALL VALVE, 1/2" BRZ	EA	3
*	31566	3/8 BRB X 1/2 MIPT 90 DEG EL	EA	9
*	31568	1/2" 3-WAY APOLLO VALVE	EA	3
*	60328	PANEL BLANK,FUEL MANIFOLD,GAS W/G	EA	1
GENERATOR SYSTEMS				
*	35681	9.0KW GAS GENERATOR-WESTERBEKE	EA	1
*	57223	SEA STRAINER 10/	EA	1
*	14486	3/4" BRZN THRUHULL CONN UN25/10	EA	1
*	14791	3/4" BALL VALVE	EA	1
*	31230	1"BRB X 3/4"MIPT W/1.5" BARB	EA	1
*	619	1" HARDWALL WATER HOSE-50'/RL	FT	4
*	31230	1"BRB X 3/4"MIPT W/1.5" BARB	EA	1
*	5B-9SE	3/4 90D BRS ST L	EA	1
*	2754	3/4" SEA STRAINER UN1	EA	1
*	31230	1"BRB X 3/4"MIPT W/1.5" BARB	EA	1
*	62365	SIPHON BREAK,1" (25MIN)	EA	1
*	619	1" HARDWALL WATER HOSE-50'/RL	FT	7
*	11866	2" HARDWALL EXH. HOSE-50'/RL	FT	20
*	8890	GENSET MUFFLER	EA	1
*	13669	2" THRU-HULL W/FLAPPER-CHR BRASS	EA	1
ENGINE WATER PICKUP SYS				
*	441	1 1/4 INTAKE STRAINER UN10	EA	2
*	31227	SEACOCK 1 1/4" - FLANGED	EA	2
*	2756	PIPE ADP BRB 1 1/4X1 1/4MPS PK25	EA	5
*	230	1-1/4" HARDWALL WATER HOSE-100	FT	10
*	2755	1 1/4" SEA STRAINER UN1	EA	2
*	13227	ENGINE PICK-UP LABEL	EA	2
*	1510	90 DEG TAIL PIECE	EA	1
*	NOT SHOWN			

ITEM NO.	PART NUMBER	PART DESCRIPTION	U/M	QTY.
GENERATOR FUEL SYSTEMS				
*	624	HOSE, FUEL FEED, 3/8"-250'/RL	FT	30
*	1571	8 X 3/4 PFH SS	EA	12
*	702-EC	3/8BRB X 1/8MIP BRS M ADP	EA	1
*	694-EC	3/8BRB X 1/4MIP BRS M ADP	EA	2
*	62203	1/2MNPT X 1/4FNPT 24" PICK UP TUBE	EA	2
*	39382	1/8" FIPT X 3/8" HOSE BARB	EA	1
*	50-60002	1/4 NPTF X 3/8 ALUM ANTI-SYPHON VLV	EA	2
ELECTRICAL HARDWARE				
*	60947	BATTERY, GROUP 31	EA	1
*	2819	105-AMP BATT BOX	EA	1
*	NOT SHOWN			

ITEM NO.	PART NUMBER	PART DESCRIPTION	U/M	QTY.
TWIN 315 HP CUMMINS DSL 1.96:1 GEAR				
HULL BASIC/SHOP SUPPLIES				
*	13469	WIND-LOCK PLATE	EA	123
*	58352	1" SOUND BOARD W/PSA	SF	283
*	12777	TAPE FOR SOUND BOARD-VRF3"X150'(16)	RL	3
*	13469	WIND-LOCK PLATE	EA	24
BOAT ELEC WIRING				
*	61938	HARNESS,ENG/ACCY EV96 DSL	EA	1
*	62158	PIN CONTACT, 16-14 DEUTSCH(4M/RL)	EA	22
*	62157	RECEPTACLE, 12 WAY DEUTCH 100MIN	EA	2
*	62159	WEDGE LOCK DEUTSCH	EA	2
*	62263	PANEL ASSY, L/S EV96 CUMMINS DSL	EA	1
*	31267	10 AMP FUSE #P-3087	EA	10
LOWER GAUGE PANEL				
*	57325-A	GAUGE,TACH,MAGNETIC P/U DIESEL-EL	EA	2
*	33802	OIL PRESSURE - ELITE	EA	2
*	33803	WATER TEMP - ELITE	EA	2
*	33804	FUEL LEVEL - ELITE	EA	2
*	33805	VOLTMETER - ELITE	EA	2
*	33807	SMALL BLANK - ELITE	EA	1
*	33808	LARGE BLANK - ELITE	EA	1
*	57327	BACKING PLATE, GAUGE, SMALL	EA	9
*	57328	BACKING PLATE, GAUGE, LARGE	EA	3
*	58169	SCREW,MACH,10-32X3/8 PPH STAINLES	EA	24
*	60011	PANEL BLANK, ISNT, LOWER (EV)	EA	1
LOWER SWITCH PANEL				
*	3984	RHEOSTAT 25 WATT 10 OHM	EA	1
*	13222	DC AMBER INDICATOR LT-LOW PROFILE	EA	5
*	13224	DC RED INDICATOR LT-LOW PROFILE	EA	3
*	13225	DC BLUE INDICATOR LT-LOW PROFILE	EA	5
*	14660	AUDIO VISUAL DUAL ALARM	EA	2
*	32393	6 AMP PUSH-TO-RESET BRKR,SNAP IN	EA	2
*	32939	RHEOSTAT KNOB	EA	1
*	50606	IGNITION SWITCH FOR I/O	EA	2
*	52491	SWITCH SPST, ON-OFF	EA	14
*	52492	SWITCH SPST, MOMENTARY ON-OFF	EA	2
*	52493	SWITCH SPDT, ON-ON	EA	2
*	61948	PANEL BLANK,SWITCH,LOWER(EV)	EA	1
*	62262	PANEL ASSY,EV U/S 96 CUMMINS DSL	EA	1
*	31267	10 AMP FUSE #P-3087	EA	10
UPPER GAUGE PANEL				
*	57325-A	GAUGE,TACH,MAGNETIC P/U DIESEL-EL	EA	2
*	33802	OIL PRESSURE - ELITE	EA	2
*	33803	WATER TEMP - ELITE	EA	2
*	33805	VOLTMETER - ELITE	EA	2
*	33807	SMALL BLANK - ELITE	EA	1
*	57327	BACKING PLATE, GAUGE, SMALL	EA	7
*	57328	BACKING PLATE, GAUGE, LARGE	EA	2
*	58169	SCREW,MACH,10-32X3/8 PPH STAINLES	EA	18
*	60012	PANEL BLANK, INST, UPPER (EV)	EA	1
*	NOT SHOWN			

ITEM NO.	PART NUMBER	PART DESCRIPTION	U/M	QTY.
UPPER SWITCH PANEL				
*	3984	RHEOSTAT 25 WATT 10 OHM	EA	1
*	13224	DC RED INDICATOR LT-LOW PROFILE	EA	3
*	13225	DC BLUE INDICATOR LT-LOW PROFILE	EA	6
*	32939	RHEOSTAT KNOB	EA	1
*	52491	SWITCH SPST, ON-OFF	EA	8
*	52492	SWITCH SPST, MOMENTARY ON-OFF	EA	1
*	55301	PANEL,BLANK,SWITCH,C/B UPPER MIN	EA	1
*	13222	DC AMBER INDICATOR LT-LOW PROFILE	EA	2
*	52493	SWITCH SPDT, ON-ON	EA	1
UPPER IGNITION PANEL				
*	14660	AUDIO VISUAL DUAL ALARM	EA	2
*	50606	IGNITION SWITCH FOR I/O	EA	2
*	61949	PANEL BLANK,IGN,UPPER(EV)	EA	1
*	62276	CABLE KIT,BATTERY,(EV96) CUMMINS	EA	1
PROP				
*	58347	23 X 26 X 4BL R.H. NIBRAL PROP	EA	1
*	58346	23 X 26 X 4BL L.H. NIBRAL PROP	EA	1
ENGINE SYSTEMS				
*	55226	93.12 L X 2" DIA SHAFT	EA	2
*	55954	16MX55MMX1.5 GR 8.8 DIN 960	EA	12
*	55381	16 MM LOCKWASHER	EA	12
*	55380	16MM X 1.5 NUT GR 10.9	EA	12
*	55106	3.50" I.D. SOFTWALL EXH. HOSE UN 12.5'	FT	2
*	702-EC	3/8BRB X 1/8MIP BRS M ADP	EA	4
*	624	HOSE,FUEL FEED,3/8"-250'/RL	FT	5
*	55225	STRUT W/BEARING 2" DIA	EA	2
*	55047	GLAND STYLE STUFFING BOX 2"IDX3.5"H	EA	2
*	55048	TRIANGLE FLANGE T-HULL 3.5"ODX 3"ID	EA	2
*	39731	STRUT BACKING WASHER (BRASS/200)	EA	12
*	58797	2" SHAFT ZINC	EA	2
*	62079	315HP CUMMINS,PORT,800A,1.96,90DG L	EA	1
*	62078	315HP CUMMINS,STBD,800A,1.96,90DG L	EA	1
*	62634	STUD KIT,HURTH TRANS.CABLE ATTACH.	EA	4
*	55818	MOTOR MOUNT,FWD OUTBOARD 310HP	EA	2
*	55819	MOTOR MOUNT,FORWARD INBOARD (4 MIN)	EA	2
*	37487	MOTOR MOUNT WASHERS/200	EA	24
*	55459	1 1/2OD X .500ID X .125 WASHER	EA	32
SHIFTER & CONTROL CABLE				
*	1423	21'SUPREME CABLE 15/	EA	4
*	1424	22' SUPREME CABLE 10/	EA	2
*	1431	29' SUPREME CABLE	EA	2
*	55294	TWIN THROTTLES (RED)	EA	2
*	55297	TWIN SHIFT (BLACK)	EA	2
*	55296	DUAL STATION KIT	EA	2
*	14693	MERC CABLE CONNECTOR KIT	KT	2
*	36716	TERMINAL EYE	EA	2
*	36717	TERMINAL EYE PIN FIT	EA	2
*	62581	SHIFT/THROTTLE CABLE BALL JOINT	EA	4
*	62582	THROTTLE/SHIFT DUAL CABLE HOOK CLIP	EA	4

ITEM NO.	PART NUMBER	PART DESCRIPTION	U/M	QTY.
ENGINE EXHAUST SYSTEM				
*	52672	EXHAUST HOSE 6" OD SOFTWALL	FT	7
*	52385	HOSE CLAMP 7" UN-100	EA	8
*	61573	6" CORRUGATED HARDWALL EXH HOSE	FT	9
*	62135	LIFT MUFFLER 6" INLET 6" OUTLT PORT	EA	1
*	62136	LIFT MUFFLER 6" INLET 6" OUTLT STBD	EA	1
*	14430	'DO NOT STEP' LABEL UN2500	EA	2
*	61617	45DEG BRONZE ELBOW 6"	EA	1
*	52671	FIBERGLASS EXH TUBE 6" OD,(UN 10')	FT	6
*	52672	EXHAUST HOSE 6" OD SOFTWALL	FT	6
*	52385	HOSE CLAMP 7" UN-100	EA	20
ENGINE FUEL SYSTEM				
*	11994	DIESEL FILL CHROME BRASS UN25	EA	1
*	625	HOSE, FUEL FILL 1-1/2 " 50' RL	FT	6
*	623	HOSE,FUEL VENT,5/8"-250'/RL	FT	7
*	1703	TANK VENT	EA	1
*	61665	HOSE FUEL FEED 1/2" ID 250 1/RL	FT	44
*	61968	FUEL FILTER W/FITTINGS RACOR 4120R	EA	1
*	694-EC	3/8BRB X 1/4MIP BRS M ADP	EA	2
*	62203	1/2MNPT X 1/4FNPT 24" PICK UP TUBE	EA	2
*	62103	FUEL BARB,BRASS 1/4 MNPT X 1/2"	EA	2
*	11994	DIESEL FILL CHROME BRASS UN25	EA	1
*	625	HOSE, FUEL FILL 1-1/2 " 50' RL	FT	6
*	623	HOSE,FUEL VENT,5/8"-250'/RL	FT	7
*	1703	TANK VENT	EA	1
*	624	HOSE,FUEL FEED,3/8"-250'/RL	FT	44
*	61968	FUEL FILTER W/FITTINGS RACOR 4120R	EA	1
*	694-EC	3/8BRB X 1/4MIP BRS M ADP	EA	2
*	62203	1/2MNPT X 1/4FNPT 24" PICK UP TUBE	EA	2
*	62103	FUEL BARB,BRASS 1/4 MNPT X 1/2"	EA	2
*	62160	FUEL PNL ASSY, W/1/2" BRB W/GEN	EA	1
*	539	1/2 X CLO BRS NPL	EA	3
*	14790	BALL VALVE, 1/2" BRZ	EA	3
*	31566	3/8 BRB X 1/2 MIPT 90 DEG EL	EA	12
*	31568	1/2" 3-WAY APOLLO VALVE	EA	6
*	56910	PANEL,BLANK,FUEL SELECTOR	EA	1
*	61886	90 DEG 1/2" PIPE 1/2" BARB	EA	6
*	624	HOSE,FUEL FEED,3/8"-250'/RL	FT	60
*	53406	#4 X 1" PFH SS SCREW	EA	71
*	NOT SHOWN			

ITEM NO.	PART NUMBER	PART DESCRIPTION	U/M	QTY.
GENERATOR SYSTEMS				
*	57223	SEA STRAINER 10/	EA	1
*	54593	3/4" X 4" THRU HULL BRASS UN1	EA	1
*	14791	3/4" BALL VALVE	EA	1
*	31230	1"BRB X 3/4"MIPT W/1.5" BARB	EA	1
*	619	1" HARDWALL WATER HOSE-50'/RL	FT	2
*	31230	1"BRB X 3/4"MIPT W/1.5" BARB	EA	1
*	31230	1"BRB X 3/4"MIPT W/1.5" BARB	EA	1
*	2754	3/4" SEA STRAINER UN1	EA	1
*	31230	1"BRB X 3/4"MIPT W/1.5" BARB	EA	1
*	5B-9SE	3/4 90D BRS ST L	EA	1
*	619	1" HARDWALL WATER HOSE-50'/RL	FT	7
*	619	1" HARDWALL WATER HOSE-50'/RL	FT	25
*	62365	SIPHON BREAK,1" (25MIN)	EA	1
*	8914	8.0 DSL GEN. WESTERBEKE	EA	1
*	35397	RED BATTERY BOOT	EA	1
*	35696	SOUND BOX F/8.0 DSL GEN	EA	1
*	11866	2" HARDWALL EXH. HOSE-50'/RL	FT	2
*	11866	2" HARDWALL EXH. HOSE-50'/RL	FT	2
*	8890	GENSET MUFFLER	EA	1
*	11866	2" HARDWALL EXH. HOSE-50'/RL	FT	7
*	13669	2" THRU-HULL W/FLAPPER-CHR BRASS	EA	1
*	13136	1-1/4 ROMEX CONNECTOR	EA	1
*	32472	"STOP/PRE-HEAT" LABEL	EA	1
*	59433	OIL FOR GENERATOR	GL	2
ENGINE WATER PICKUP SYS				
*	32139	WATER PICK UP-2" HI SPEED	EA	1
*	32136	BRASS HOSE BARB 2 X 2 UN1	EA	1
*	32136	BRASS HOSE BARB 2 X 2 UN1	EA	1
*	11866	2" HARDWALL EXH. HOSE-50'/RL	FT	19
*	59482	45 DEGREE BRASS HOSE BARB	EA	1
*	32144	SEA STRAINER 2"	EA	1
*	32137	BRASS HOSE BARB 90DEG 2 X 2 UN1	EA	1
*	13227	ENGINE PICK-UP LABEL	EA	2
*	32139	WATER PICK UP-2" HI SPEED	EA	1
*	59482	45 DEGREE BRASS HOSE BARB	EA	1
*	32144	SEA STRAINER 2"	EA	1
*	32136	BRASS HOSE BARB 2 X 2 UN1	EA	1
GENERATOR FUEL SYSTEMS				
*	694-EC	3/8BRB X 1/4MIP BRS M ADP	EA	1
*	62203	1/2MNPT X 1/4FNPT 24" PICK UP TUBE	EA	1
*	624	HOSE,FUEL FEED,3/8"-250'/RL	FT	5
*	694-EC	3/8BRB X 1/4MIP BRS M ADP	EA	1
*	62203	1/2MNPT X 1/4FNPT 24" PICK UP TUBE	EA	1
*	624	HOSE,FUEL FEED,3/8"-250'/RL	FT	8
*	624	HOSE,FUEL FEED,3/8"-250'/RL	FT	2
*	624	HOSE,FUEL FEED,3/8"-250'/RL	FT	5
*	13369	RACOR 120M FUEL FILTER—OPT	EA	1
*	624	HOSE,FUEL FEED,3/8"-250'/RL	FT	13
*	NOT SHOWN			

ITEM NO.	PART NUMBER	PART DESCRIPTION	U/M	QTY.
GENERATOR FUEL SYSTEMS cont'd.				
*	694-EC	3/8BRB X 1/4MIP BRS M ADP	EA	2
*	39382	1/8" FIPT X 3/8" HOSE BARB (100)	EA	1
*	2B-9SE	1/4 90 D BRS ST L \$50MIN.	EA	4
*	692-EC	1/4BRB X 1/4MIP BRS M ADP	EA	2
*	624	HOSE,FUEL FEED,3/8"-250'/RL	FT	18
*	624	HOSE,FUEL FEED,3/8"-250'/RL	FT	8
*	624	HOSE,FUEL FEED,3/8"-250'/RL	FT	5
*	694-EC	3/8BRB X 1/4MIP BRS M ADP	EA	2
*	62203	1/2MNPT X 1/4FNPT 24" PICK UP TUBE	EA	2
*	39382	1/8" FIPT X 3/8" HOSE BARB (100)	EA	1
*	56177	DIESEL GEN. FUEL RET.HOSE WESTERBKE	EA	1
HULL INT LABELS				
*	9026	SHIFTER LBL-PORT THROT/STBD. THROT.	EA	2
*	9027	SHIFTER LBL-PORT SHFT/STBD. SHFT.	EA	2
ELECTRICAL HARDWARE				
*	35397	RED BATTERY BOOT	EA	1
*	59009	8D HIGH BATTERY BOX	EA	2
*	62356	BATTERY ISOLATOR,120A,1 IN 2 OUT	EA	1
WATER HEAT EXCHANGE SYS				
*	1181-EC	5/8 BRB X 1/2 MIP BRS ADP \$50MIN.	EA	1
*	1181-EC	5/8 BRB X 1/2 MIP BRS ADP \$50MIN.	EA	1
*	1114	HOSE,WATER 5/8" SOFTWALL—400'/RL	FT	18
*	NOT SHOWN			

ITEM NO.	PART NUMBER	PART DESCRIPTION	U/M	QTY.
TWIN 250HP CUMMINS DSL 1.96:1 GEAR				
HULL BASIC/SHOP SUPPLIES				
*	13469	WIND-LOCK PLATE	EA	150
*	58352	1" SOUND BOARD W/PSA	SF	283
*	12777	TAPE FOR SOUND BOARD-VRF3"X150'(16)	RL	3
BOAT ELEC WIRING				
*	61938	HARNASS,ENG/ACCY EV96 DSL	EA	1
*	62158	PIN CONTACT, 16-14 DEUTSCH(4M/RL)	EA	22
*	62157	RECEPTACLE, 12 WAY DEUTCH 100MIN	EA	2
*	62159	WEDGE LOCK DEUTSCH	EA	2
*	62263	PANEL ASSY, L/S EV96 CUMMINS DSL	EA	1
*	31267	10 AMP FUSE #P-3087	EA	10
LOWER GAUGE PANEL				
*	57325-A	GAUGE,TACH,MAGNETIC P/U DIESEL-EL	EA	2
*	33802	OIL PRESSURE - ELITE	EA	2
*	33803	WATER TEMP - ELITE	EA	2
*	33804	FUEL LEVEL - ELITE	EA	2
*	33805	VOLTMETER - ELITE	EA	2
*	33807	SMALL BLANK - ELITE	EA	1
*	33808	LARGE BLANK - ELITE	EA	1
*	57327	BACKING PLATE, GAUGE, SMALL	EA	9
*	57328	BACKING PLATE, GAUGE, LARGE	EA	3
*	58169	SCREW,MACH,10-32X3/8 PPH STAINLES	EA	24
*	60011	PANEL BLANK, ISNT, LOWER (EV)	EA	1
LOWER SWITCH PANEL				
*	3984	RHEOSTAT 25 WATT 10 OHM	EA	1
*	13222	DC AMBER INDICATOR LT-LOW PROFILE	EA	5
*	13224	DC RED INDICATOR LT-LOW PROFILE	EA	3
*	13225	DC BLUE INDICATOR LT-LOW PROFILE	EA	5
*	14660	AUDIO VISUAL DUAL ALARM	EA	2
*	32393	6 AMP PUSH-TO-RESET BRKR,SNAP IN	EA	2
*	32939	RHEOSTAT KNOB	EA	1
*	50606	IGNITION SWITCH FOR I/O	EA	2
*	52491	SWITCH SPST, ON-OFF	EA	14
*	52492	SWITCH SPST, MOMENTARY ON-OFF	EA	2
*	52493	SWITCH SPDT, ON-ON	EA	2
*	61948	PANEL BLANK,SWITCH,LOWER(EV)	EA	1
*	62262	PANEL ASSY,EV U/S 96 CUMMINS DSL	EA	1
*	31267	10 AMP FUSE #P-3087	EA	10
UPPER GAUGE PANEL				
*	57325-A	GAUGE,TACH,MAGNETIC P/U DIESEL-EL	EA	2
*	33802	OIL PRESSURE - ELITE	EA	2
*	33803	WATER TEMP - ELITE	EA	2
*	33805	VOLTMETER - ELITE	EA	2
*	33807	SMALL BLANK - ELITE	EA	1
*	57327	BACKING PLATE, GAUGE, SMALL	EA	7
*	57328	BACKING PLATE, GAUGE, LARGE	EA	2
*	58169	SCREW,MACH,10-32X3/8 PPH STAINLES	EA	18
*	60012	PANEL BLANK, INST, UPPER (EV)	EA	1
*	NOT SHOWN			

ITEM NO.	PART NUMBER	PART DESCRIPTION	U/M	QTY.
UPPER SWITCH PANEL				
*	3984	RHEOSTAT 25 WATT 10 OHM	EA	1
*	13224	DC RED INDICATOR LT-LOW PROFILE	EA	3
*	13225	DC BLUE INDICATOR LT-LOW PROFILE	EA	6
*	32939	RHEOSTAT KNOB	EA	1
*	52491	SWITCH SPST, ON-OFF	EA	8
*	52492	SWITCH SPST, MOMENTARY ON-OFF	EA	1
*	55301	PANEL,BLANK,SWITCH,C/B UPPER MIN	EA	1
*	13222	DC AMBER INDICATOR LT-LOW PROFILE	EA	2
*	52493	SWITCH SPDT, ON-ON	EA	1
UPPER IGNITION PANEL				
*	14660	AUDIO VISUAL DUAL ALARM	EA	2
*	50606	IGNITION SWITCH FOR I/O	EA	2
*	61949	PANEL BLANK,IGN,UPPER(EV)	EA	1
*	62276	CABLE KIT,BATTERY,(EV96) CUMMINS	EA	1
PROP				
*	NOTE\$	\$	EA	800
ENGINE SYSTEMS				
*	702-EC	3/8BRB X 1/8MIP BRS M ADP	EA	4
*	58796	1 3/4" SHAFT ZINC	EA	2
*	11866	2" HARDWALL EXH. HOSE-50'/RL	FT	1
*	55227	SHAFT-92"L X 1.75"DIA-47EV	EA	2
*	55224	STRUT W/BEARING 1 3/4" DIA 47EV	EA	2
*	55048	TRIANGLE FLANGE T-HULL 3.5"ODX 3"ID	EA	2
*	54309	ST BOX 1.75 BOREX3.5 HOSE ER/N/H ML	EA	2
*	39731	STRUT BACKING WASHER (BRASS/200)	EA	12
*	62325	250HP CUMMINS,PORT,630A,2.04,90DG L	EA	1
*	62324	250HP CUMMINS,STBD,630A,2.04,90DG L	EA	1
*	62634	STUD KIT,HURTH TRANS.CABLE ATTACH.	EA	4
*	55817	MOTOR MOUNT,FWD OUTBOARD 250HP	EA	2
*	55819	MOTOR MOUNT,FORWARD INBOARD (4 MIN)	EA	2
*	55820	MOTOR MOUNT,AFT INBOARD (4 MIN)	EA	2
*	55821	MOTOR MOUNT,AFT OUTBOARD	EA	2
*	37487	MOTOR MOUNT WASHERS/200	EA	24
*	55459	1 1/2OD X .500ID X .125 WASHER	EA	32
SHIFTER & CONTROL CABLE				
*	1423	21'SUPREME CABLE 15/	EA	4
*	1431	29' SUPREME CABLE	EA	2
*	1424	22' SUPREME CABLE 10/	EA	2
*	55294	TWIN THROTTLES (RED)	EA	2
*	55297	TWIN SHIFT (BLACK)	EA	2
*	55296	DUAL STATION KIT	EA	2
*	14693	MERC CABLE CONNECTOR KIT	KT	2
*	36716	TERMINAL EYE	EA	2
*	36717	TERMINAL EYE PIN FIT	EA	2
*	62581	SHIFT/THROTTLE CABLE BALL JOINT	EA	4
*	62582	THROTTLE/SHIFT DUAL CABLE HOOK CLIP	EA	4
* NOT SHOWN				

ITEM NO.	PART NUMBER	PART DESCRIPTION	U/M	QTY.
ENGINE EXHAUST SYSTEM				
*	62135	LIFT MUFFLER 6" INLET 6" OUTLT PORT	EA	1
*	62136	LIFT MUFFLER 6" INLET 6" OUTLT STBD	EA	1
*	14430	'DO NOT STEP' LABEL UN2500	EA	2
*	52672	EXHAUST HOSE 6" OD SOFTWALL	FT	17
*	61573	6" CORRUGATED HARDWALL EXH HOSE	FT	9
*	61617	45DEG BRONZE ELBOW 6"	EA	1
*	52385	HOSE CLAMP 7" UN-100	EA	20
ENGINE FUEL SYSTEM				
*	11994	DIESEL FILL CHROME BRASS UN25	EA	1
*	625	HOSE, FUEL FILL 1-1/2 " 50' RL	FT	6
*	623	HOSE, FUEL VENT, 5/8"-250'/RL	FT	7
*	1703	TANK VENT	EA	1
*	61665	HOSE FUEL FEED 1/2" ID 250 1/RL	FT	44
*	53406	#4 X 1" PFH SS SCREW	EA	44
*	61968	FUEL FILTER W/FITTINGS RACOR 4120R	EA	1
*	694-EC	3/8BRB X 1/4MIP BRS M ADP	EA	2
*	62103	FUEL BARB, BRASS 1/4 MNPT X 1/2"	EA	2
*	11994	DIESEL FILL CHROME BRASS UN25	EA	1
*	625	HOSE, FUEL FILL 1-1/2 " 50' RL	FT	6
*	623	HOSE, FUEL VENT, 5/8"-250'/RL	FT	7
*	1703	TANK VENT	EA	1
*	624	HOSE, FUEL FEED, 3/8"-250'/RL	FT	44
*	53406	#4 X 1" PFH SS SCREW	EA	26
*	53406	#4 X 1" PFH SS SCREW	EA	15
*	61968	FUEL FILTER W/FITTINGS RACOR 4120R	EA	1
*	694-EC	3/8BRB X 1/4MIP BRS M ADP	EA	2
*	62103	FUEL BARB, BRASS 1/4 MNPT X 1/2"	EA	2
*	62160	FUEL PNL ASSY, W/1/2" BRB W/GEN	EA	1
*	539	1/2 X CLO BRS NPL	EA	3
*	14790	BALL VALVE, 1/2" BRZ	EA	3
*	31566	3/8 BRB X 1/2 MIPT 90 DEG EL	EA	12
*	31568	1/2" 3-WAY APOLLO VALVE	EA	6
*	56910	PANEL, BLANK, FUEL SELECTOR	EA	1
*	61886	90 DEG 1/2" PIPE 1/2" BARB	EA	6
*	624	HOSE, FUEL FEED, 3/8"-250'/RL	FT	60
*	NOT SHOWN			

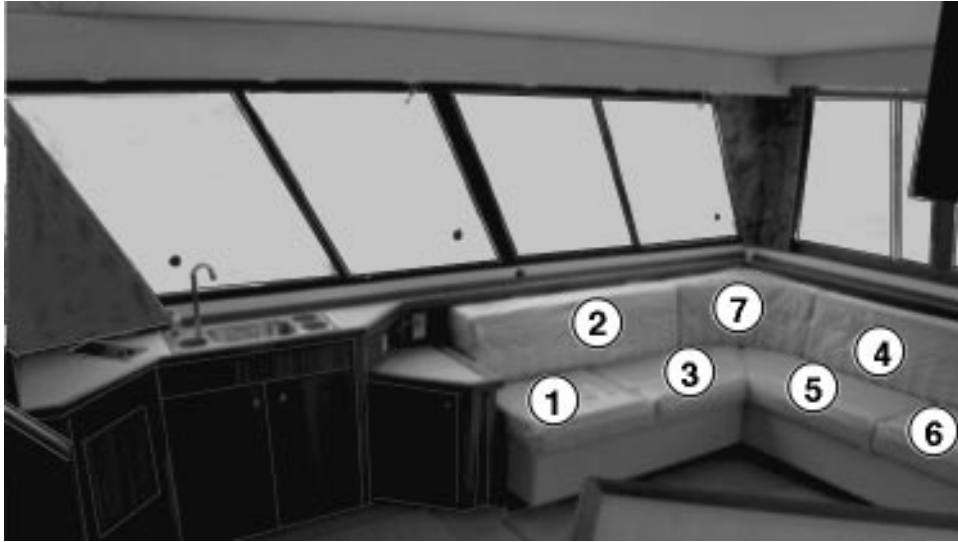
ITEM NO.	PART NUMBER	PART DESCRIPTION	U/M	QTY.
GENERATOR SYSTEMS				
*	57223	SEA STRAINER 10/	EA	1
*	54593	3/4" X 4" THRU HULL BRASS UN1	EA	1
*	14791	3/4" BALL VALVE	EA	1
*	31230	1"BRB X 3/4"MIPT W/1.5" BARB	EA	1
*	619	1" HARDWALL WATER HOSE-50'/RL	FT	2
*	31230	1"BRB X 3/4"MIPT W/1.5" BARB	EA	1
*	31230	1"BRB X 3/4"MIPT W/1.5" BARB	EA	1
*	2754	3/4" SEA STRAINER UN1	EA	1
*	31230	1"BRB X 3/4"MIPT W/1.5" BARB	EA	1
*	5B-9SE	3/4 90D BRS ST L	EA	1
*	619	1" HARDWALL WATER HOSE-50'/RL	FT	7
*	619	1" HARDWALL WATER HOSE-50'/RL	FT	25
*	62365	SIPHON BREAK,1" (25MIN)	EA	1
*	8914	8.0 DSL GEN. WESTERBEKE	EA	1
*	35397	RED BATTERY BOOT	EA	1
*	35696	SOUND BOX F/8.0 DSL GEN	EA	1
*	11866	2" HARDWALL EXH. HOSE-50'/RL	FT	2
*	11866	2" HARDWALL EXH. HOSE-50'/RL	FT	2
*	8890	GENSET MUFFLER	EA	1
*	11866	2" HARDWALL EXH. HOSE-50'/RL	FT	7
*	13669	2" THRU-HULL W/FLAPPER-CHR BRASS	EA	1
*	13136	1-1/4 ROMEX CONNECTOR	EA	1
*	32472	"STOP/PRE-HEAT" LABEL	EA	1
*	59433	OIL FOR GENERATOR	GL	2
ENGINE WATER PICKUP SYS				
*	32139	WATER PICK UP-2" HI SPEED	EA	1
*	32136	BRASS HOSE BARB 2 X 2 UN1	EA	1
*	32136	BRASS HOSE BARB 2 X 2 UN1	EA	1
*	11866	2" HARDWALL EXH. HOSE-50'/RL	FT	19
*	59482	45 DEGREE BRASS HOSE BARB	EA	1
*	32144	SEA STRAINER 2"	EA	1
*	32137	BRASS HOSE BARB 90DEG 2 X 2 UN1	EA	1
*	13227	ENGINE PICK-UP LABEL	EA	2
*	32139	WATER PICK UP-2" HI SPEED	EA	1
*	59482	45 DEGREE BRASS HOSE BARB	EA	1
*	32144	SEA STRAINER 2"	EA	1
*	32136	BRASS HOSE BARB 2 X 2 UN1	EA	1
*	NOT SHOWN			

ITEM NO.	PART NUMBER	PART DESCRIPTION	U/M	QTY.
GENERATOR FUEL SYSTEMS				
*	694-EC	3/8BRB X 1/4MIP BRS M ADP	EA	1
*	62203	1/2MNPT X 1/4FNPT 24" PICK UP TUBE	EA	1
*	624	HOSE,FUEL FEED,3/8"-250'/RL	FT	5
*	694-EC	3/8BRB X 1/4MIP BRS M ADP	EA	1
*	62203	1/2MNPT X 1/4FNPT 24" PICK UP TUBE	EA	1
*	624	HOSE,FUEL FEED,3/8"-250'/RL	FT	8
*	624	HOSE,FUEL FEED,3/8"-250'/RL	FT	2
*	624	HOSE,FUEL FEED,3/8"-250'/RL	FT	5
*	13369	RACOR 120M FUEL FILTER—OPT	EA	1
*	1621	1/4 FLAT WASHER SS	EA	4
*	624	HOSE,FUEL FEED,3/8"-250'/RL	FT	13
*	694-EC	3/8BRB X 1/4MIP BRS M ADP	EA	2
*	39382	1/8" FIPT X 3/8" HOSE BARB (100)	EA	1
*	2B-9SE	1/4 90 D BRS ST L \$50MIN.	EA	4
*	692-EC	1/4BRB X 1/4MIP BRS M ADP	EA	2
*	624	HOSE,FUEL FEED,3/8"-250'/RL	FT	18
*	624	HOSE,FUEL FEED,3/8"-250'/RL	FT	8
*	624	HOSE,FUEL FEED,3/8"-250'/RL	FT	5
*	694-EC	3/8BRB X 1/4MIP BRS M ADP	EA	2
*	62203	1/2MNPT X 1/4FNPT 24" PICK UP TUBE	EA	2
*	39382	1/8" FIPT X 3/8" HOSE BARB (100)	EA	1
*	56177	DIESEL GEN. FUEL RET.HOSE WESTERBKE	EA	1
HULL INT LABELS				
*	9026	SHIFTER LBL-PORT THROT/STBD. THROT.	EA	2
*	9027	SHIFTER LBL-PORT SHFT/STBD. SHFT.	EA	2
ELECTRICAL HARDWARE				
*	35397	RED BATTERY BOOT	EA	1
*	59009	8D HIGH BATTERY BOX	EA	2
*	62356	BATTERY ISOLATOR,120A,1 IN 2 OUT	EA	1
DECK TAPES & LABELS				
*	31228	"DIESEL POWER" DECAL	EA	1
*	NOT SHOWN			

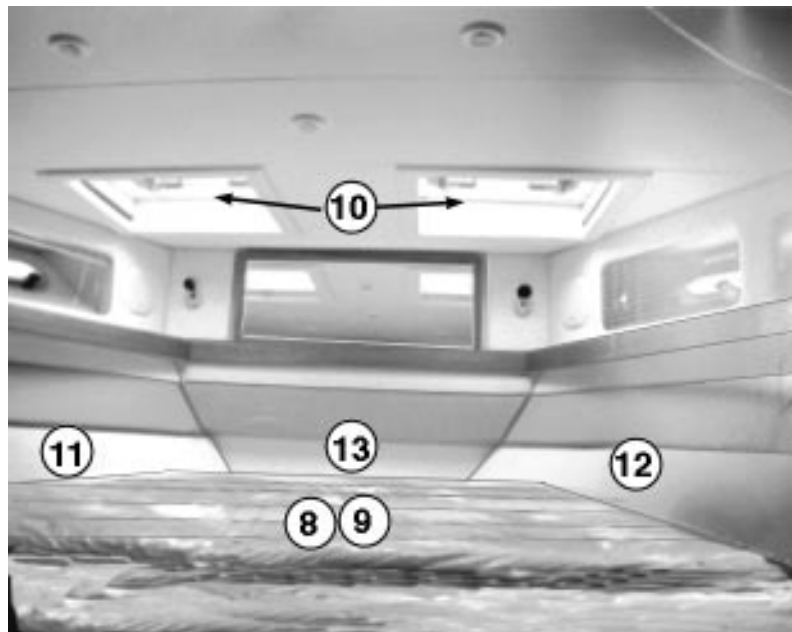
ITEM NO.	PART NUMBER	PART DESCRIPTION	U/M	QTY.
COVERINGS				
FABRIC				
*	59011	FABRIC- ROCKY PLAIN	LY	
*	59264	FABRIC-COLANADE MARBLE	LY	
*	59010	FABRIC-COLONADE IVORY	LY	
*	59122	FABRIC-AQUA	LY	
*	59299	FABRIC-COLONADE JADE	LY	
*	59121	FABRIC-MIDNIGHT	LY	
WOOD				
	58955	LAM PLY-5/8" CREAM TRANQUILTY	SF	
*	58955-H	LAMINATE-CREAM TRANQUILTY	SF	
*	59102	ASH SEA RAIL	LF	
*	NOT SHOWN			

ITEM NO.	PART NUMBER	PART DESCRIPTION	U/M	QTY.
TABLE ASSEMBLY				
*	EV2311304A	SALON COFFEE TABLE	EA	1
*	EV2311303A	SALON TABLE ASSY	EA	1
*	EV2311303.01A	SALON TABLE DROP LEAF	EA	2
*	55470	DINETTE TABLE POLISHED BRASS HINGE	EA	6
*	9970	TABLE COLUMN	EA	1
*	9971	TABLE BASE	EA	1
*	9972	TABLE SUPPORT BRACE	EA	1
*	EV2311811A	PILOTHOUSE TABLE ASSY	EA	1
*	59102	ASH-SEA RAIL	LF	16
*	13156	ROUND TABLE SUPPORT	EA	1
*	39730	TABLE BASE W/STUD	EA	1
*	39729	30" TABLE LEG W/THREADS & FLANGE	EA	1
*	85937	GRAB RAIL (PILOT HOUSE TO COMMAND BRIDGE	EA	1
WOOD FOR DOOR MISC.				
*	85939	V-BERTH ENTRY DOOR	EA	1
*	EV2310407A	MID BERTH BI-FOLD DOOR ASSY	EA	1
*	EV2310408A	MID BERTH DOOR	EA	1
*	55543	DOOR STOP MID STATEROOM	EA	1
*	85938	AFT BERTH POCKET DOOR	EA	1
*	85940	AFT BERTH POCKET DOOR SLIDER	EA	1
*	55317	KNOB, BRASS/CHROME	EA	4
*	14991	#24 ASH	LF	20
*	EV2370911A	HALLWAY CABINET ACCESS DOOR, PORT	EA	1
*	EV2370901A	HALLWAY CABINET ACCESS DOOR, STBD	EA	1
*	841	FLUSH RING PULL (HALLWAY CAB DOOR)	EA	2
*	36327	WHITE CATCH F/HATCH HINGE	EA	2
*	33979B-6-28	37.125 X 15.5 FROSTY WHITE DOOR (R/L)	EA	1
*	55457	MIRROR 12 3/4"X36 1/2"	EA	1
*	12228	CABNT HINGE W/BLK CAP	EA	2
*	12239	ANGLE BASEPLATE	EA	2
*	53498	SPACER FOR 12228 HINGE .125	EA	2
*	10809	SMALL HATCH HLD W/L BRKT	EA	1
*	85941	AFT HEAD DOOR	EA	1
*	55859	MIRROR 11-5/8X51-5/8 (AFT HEAD DOOR)	EA	1
*	85942	FWD HEAD DOOR	EA	1
*	55858	MIRROR 10X59-1/4 (FWD HEAD DOOR)	EA	1
*	85943	HALLWAY SLIDER DOORS, 3/16X21 1/4X17 3/8	EA	2
*	6982	BLK PLASTIC FINGER PULL	EA	2
COMMON DOOR HARDWARE				
*	3669	2X2 CHROME BUTT HINGE	EA	22
*	35734	LATCH SHIM BLK ABS W/ROVEL CAP	EA	4
*	62786	FLUSH RIM LATCH SET	EA	4
*	12394	RIMLATCH-REVERSIBLE (MID-BERTH)	EA	1
*	NOT SHOWN			

ITEM NO.	PART NUMBER	PART DESCRIPTION	U/M	QTY.
UPHOLSTERY				
THROW PILLOW ASSEMBLIES				
*	59135	PILLOW, MIDNIGHT & AQUA	EA	3
*	59133	PILLOW, COLONADE & MIDNIGHT	EA	3
*	59134	PILLOW, COLONADE & ADOBE	EA	3
*	59136	PILLOW, COLONADE & AQUA	EA	3
SALON UPHOLSTERY ASSEMBLY (MIDNIGHT NAVY)				
1	85944	LOUNGE CUSHION, -FWD O/B CUSH.	EA	1
2	85945	LOUNGE BACK, -FWD O/B BACK	EA	1
3	85946	LOUNGE CUSHION, MID -FWD O/B CENTER	EA	1
4	85947	LOUNGE CUSHION, AFT OUTBD-AC CUSH	EA	1
5	85948	LOUNGE BACK, AFT OUTBD	EA	1
6	85949	LOUNGE CUSHION, AFT INBD	EA	1
7	85950	LOUNGE BACK, OUTBD CORNER SALON BACK	EA	1
*	59120	CLUB CHAIR SALON	EA	2
V-BERTH UPHOLSTERY				
8	85959	MATTRESS	EA	1
9	58590	V-BERTH COMFORTER	EA	1
10	85961	OVERHEAD SLIDER BOARD	EA	2
*	54302	LATCH CATCH	FT	16
*	31054	T-TRIM 11/16" LT BEIGE	FT	16
*	59204	DRAWER PULL	EA	2
11	85962	V-BERTH HEADBOARD,PORT	EA	1
12	85963	V-BERTH HEADBOARD,STBD	EA	1
13	85964	V-BERTH HEADBOARD,CENTER	EA	1
*	85965	PILLOW SHAMS	EA	2
V/B BUNK RISER ASSY				
*	36895	HATCH HINGE 1/2" BUTTERFLY ALUM.	EA	1
*	S-267	DRAWER ASSY 12 5 3/8 X 5	EA	6
*	58968-0-41	8.000 X 17.000 5/8"ASH PLY (DRWR FACE)	EA	9
*	58968-3-17	11.750 X 13.750 5/8" ASH PLY (SIDE STRG DOOR)	EA	2
*	59204	DRAWER PULL	EA	11
*	12228	CABNT HINGE W/BLK CAP	EA	4
*	12239	ANGLE BASEPLATE	EA	4
*	53498	SPACER FOR 12228 HINGE	EA	4
*	6199	NYLATCH ROLL CATCH W/STKR	EA	8
AFT/MID BERTH UPHOLSTERY				
*	85966	AFT BERTH HEADBOARD PAD	EA	1
*	85967	AFT BERTH MATTRESS	EA	1
*	85970	AFT BERTH COMFORTER	EA	1
*	85971	AFT BERTH BUNK PAD	EA	1
*	85972	MID BERTH BUNK, UPPER	EA	1
*	85973	MID BERTH BUNK MATTRESS/SEAT CUSHION	EA	1
*	85974	MID BERTH BUNK PAD	EA	1
*	85965	PILLOW SHAMS	EA	2
* NOT SHOWN				
NOTE: FOR UPHOLSTERY SKINS, ORDER PART # -1. EX. 85944-1 A/B MATTRESS SKIN.				
REFER TO DRAWING ON FOLLOWING PAGE				



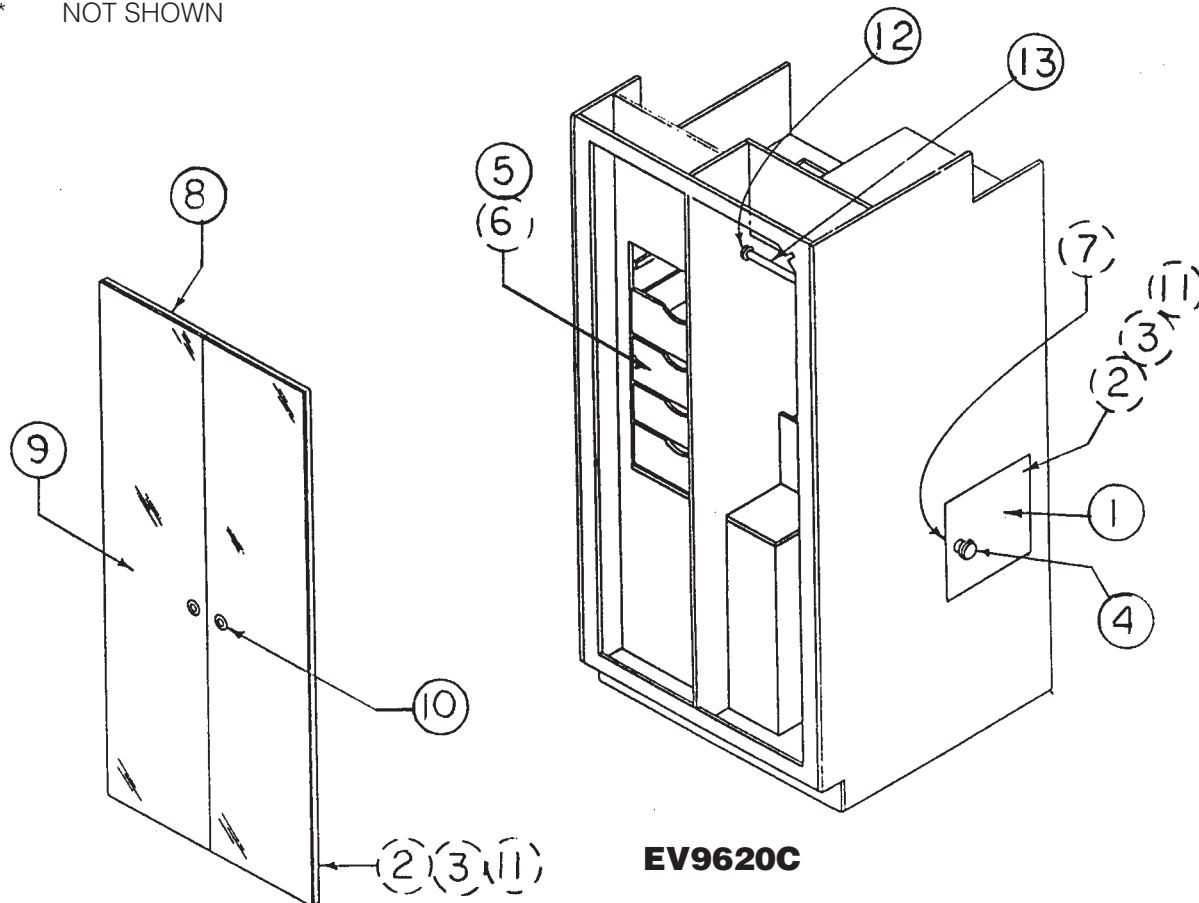
EV9620A



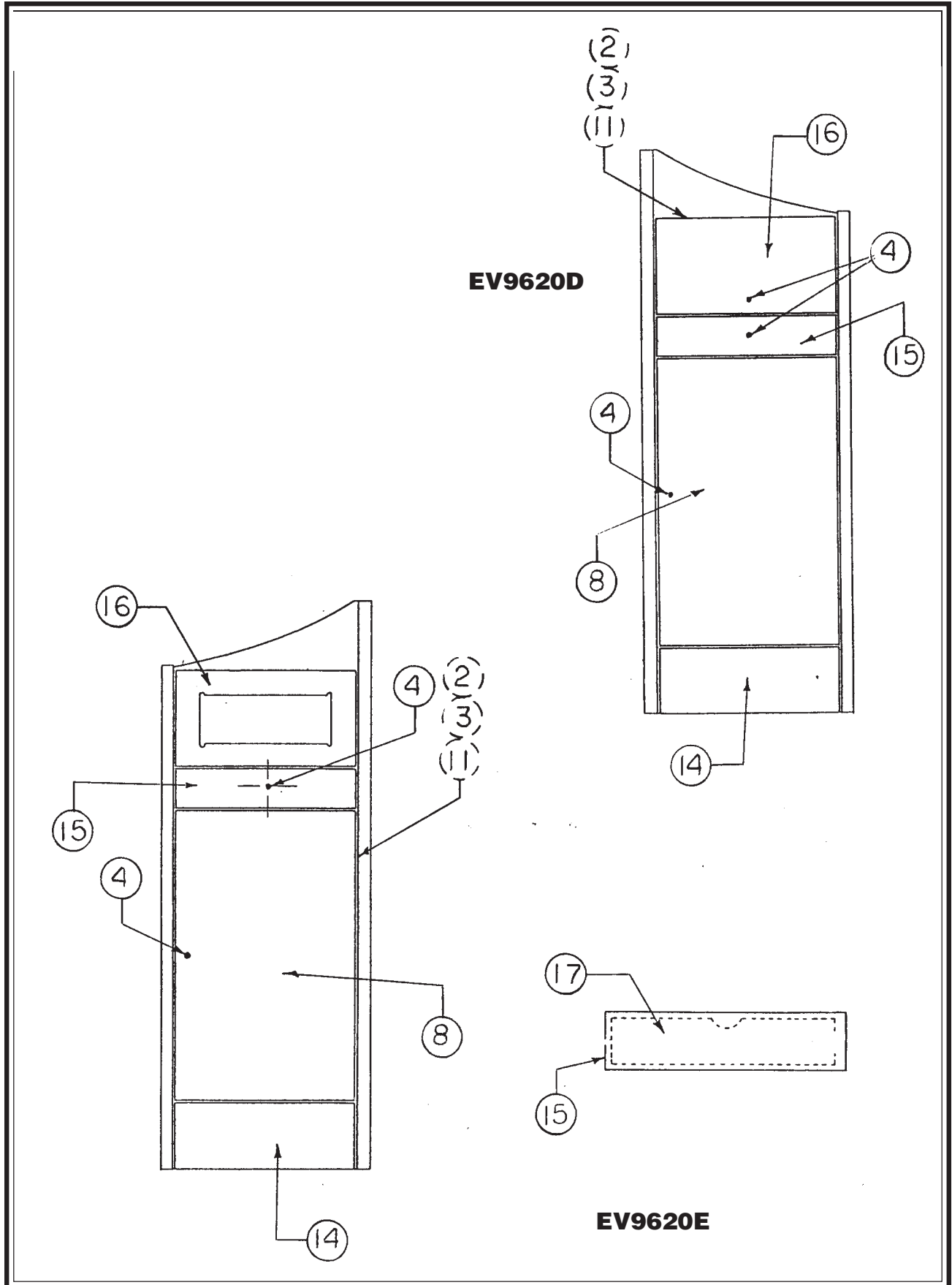
EV9620B

ITEM NO.	PART NUMBER	PART DESCRIPTION	U/M	QTY.
MODULES				
HANGING LOCKER ASSEMBLY				
1	58968-0-42	11.750 X 11.750 5/8" ASH PLY (M/B H/L ACCESS)	EA	1
2	12228	CABNT HINGE W/BLK CAP	EA	10
3	12239	ANGLE BASEPLATE	EA	10
4	59204	DRAWER PULL	EA	5
5	S-263	DRAWER ASSEMBLY 5" X 22 X 13 1/2 (M/B)	EA	5
6	85975	DRAWER FACE, FROSTY WHITE	EA	5
7	6199	NYLATCH ROLL CATCH W/STKR	EA	12
8	58968-6-27	20.875 X 36.500 5/8" ASH PLY (H/L DOOR)	EA	4
9	55397	MID ST.RM DR MIRROR RH & LH 15 5/8	EA	2
10	55396	LATCH/PUSH BUTTON-MID STATE RM H/L	EA	2
11	53498	SPACER FOR 12228 HINGE	EA	10
12	#W1323-35	CLOSET POLE SOCKETS	ST	3
13	6059	1 5/16" DOWEL	LF	6
*	58989	#26 ASH (M/B H/L TRIM)	LF	15
14	58968-0-38	8.625 X 20.875 5/8" ASH PLY (DRWR FACE)	EA	2
15	58968-0-39	6.750 X 20.875 5/8" ASH PLY (V/B H/L FACE)	EA	2
16	58968-0-40	14.500 X 20.875 5/8" ASH PLY (V/B H/L TOP FACE)	EA	2
17	S-268	DRAWER 5 X 18 7/8 X 9	EA	2
*	334	HINGE FLAT 3/4"	EA	1

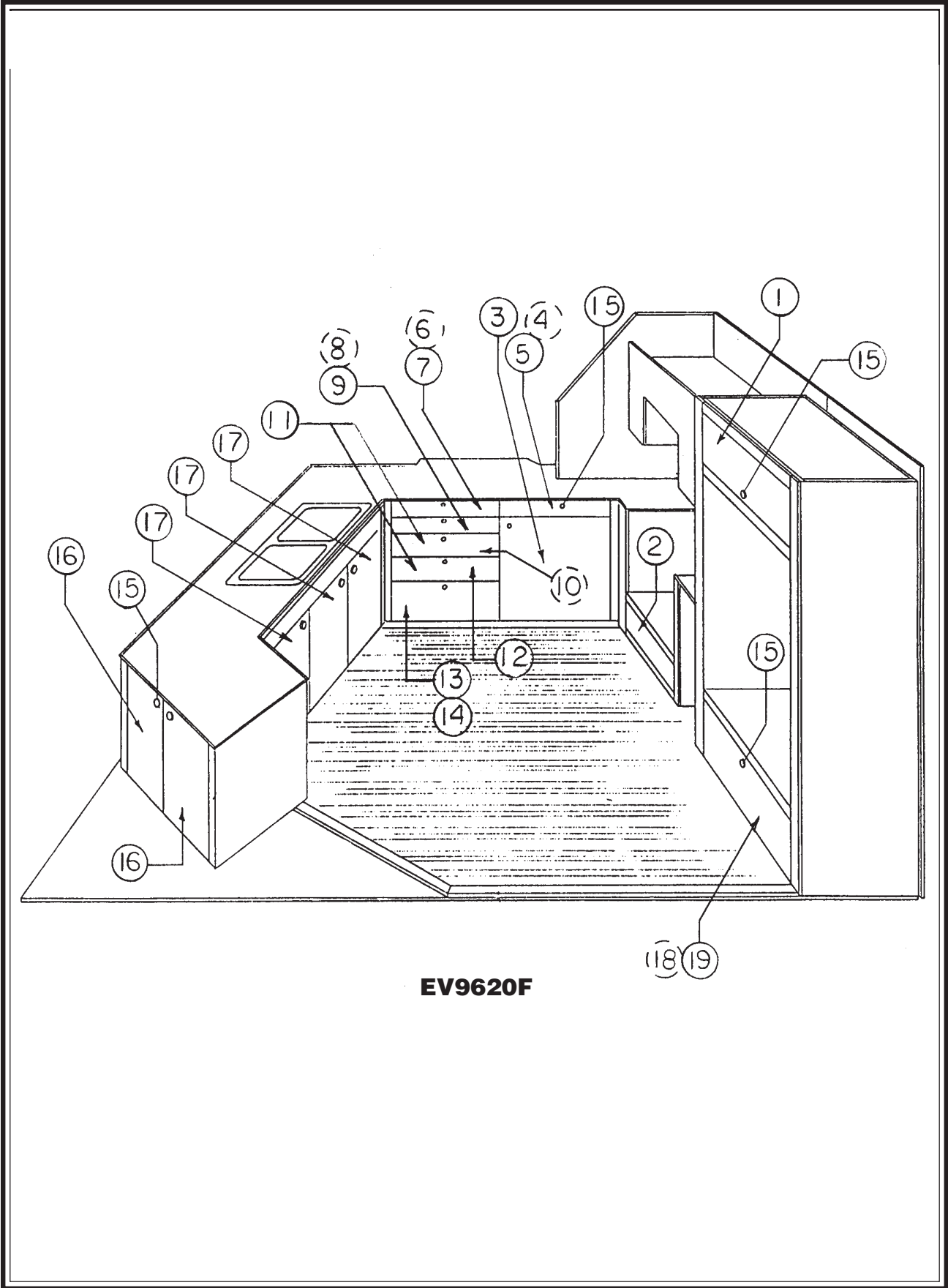
* NOT SHOWN



ADDITIONAL DRAWINGS ON FOLLOWING PAGE.

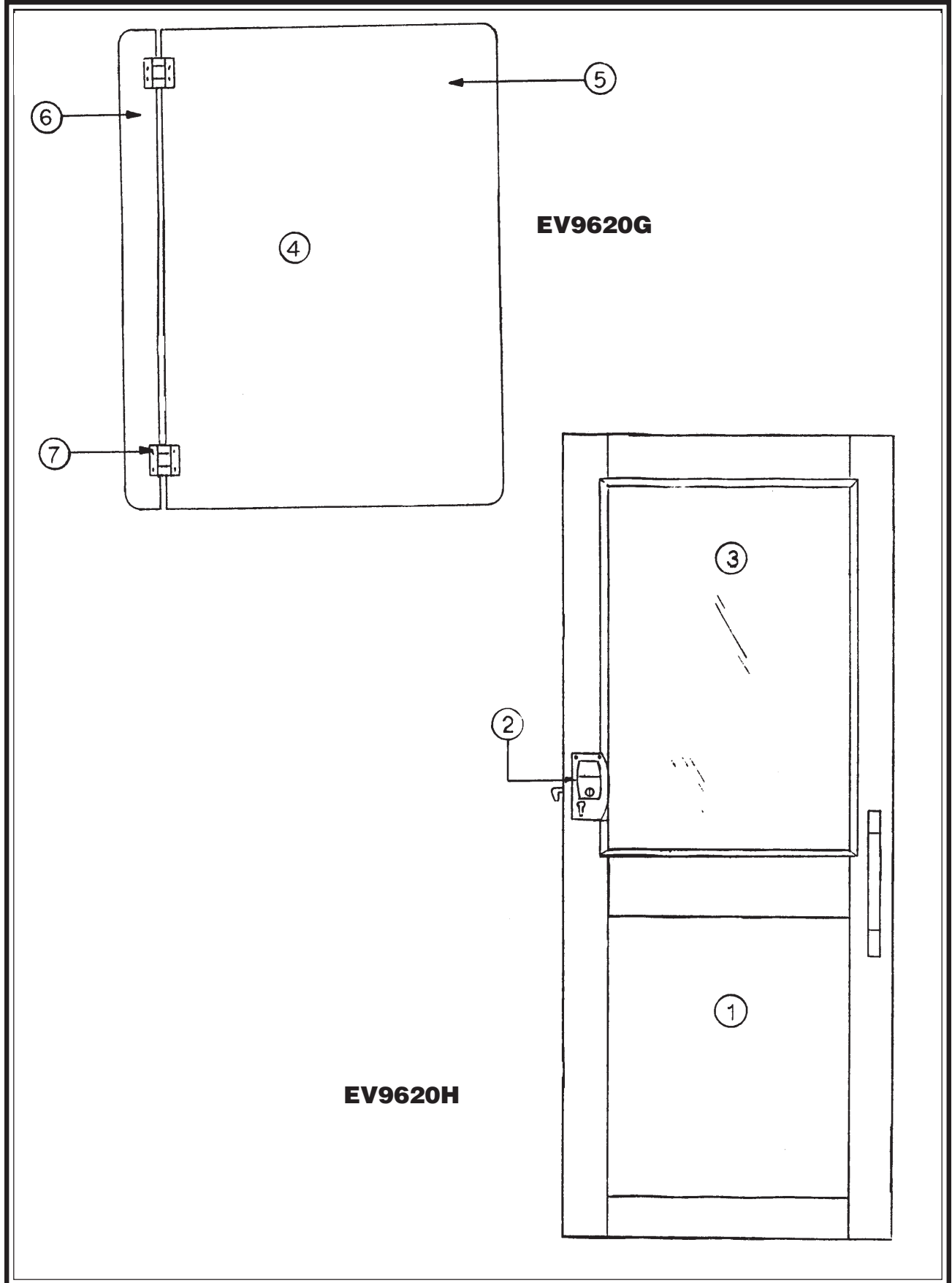


ITEM NO.	PART NUMBER	PART DESCRIPTION	U/M	QTY.
GALLEY ASSEMBLY				
1	58968-0-50	8.375 X 23.250 5/8" ASH PLY	EA	1
*	55761	DRAWER SLIDE 24"	EA	1
2	58968-3-21	20.375 X 7.750 5/8" ASH PLY	EA	1
3	58968-6-30	18.00 X 25.750 5/8" ASH PLY	EA	1
4	S-272	3.5"X16.375"X10" DRAWER ASSEMBLY	EA	1
5	85977	DRAWER FACE	EA	1
6	S-273	3.5"X 16.375"X 5" DRAWER ASSEMBLY	EA	1
7	85978	DRAWER FACE	EA	1
8	S-274	3.5"X 16.375"X 16" DRAWER ASSEMBLY	EA	1
9	85979	DRAWER FACE	EA	1
10	S-275	5"X 16.375"X 16" DRAWER ASSEMBLY	EA	1
11	85980	DRAWER FACE	EA	1
12	S-276	5"X 16.375"X 12" DRAWER ASSEMBLY	EA	1
13	S-277	5"X 16.375"X 10" DRAWER ASSEMBLY	EA	1
14	85981	DRAWER FACE	EA	2
*	12228	CABNT HINGE W/BLK CAP	EA	4
*	12239	ANGLE BASEPLATE	EA	4
*	53498	SPACER FOR 12228 HINGE	EA	4
15	59204	DRAWER PULL	EA	10
*	6199	NYLATCH ROLL CATCH W/STKR	EA	10
*	33731	DOOR SLIDE W/HINGE	ST	1
16	58968-6-32	13.125 X 29.000 5/8" ASH PLY	EA	2
17	58968-6-29	11.125 X 25.375 5/8" ASH PLY	EA	3
18	85982	GALLEY DRAWER BELOW REFER	EA	1
19	85983	GALLEY DRAWER FACE	EA	1
*	12228	CABNT HINGE W/BLK CAP	EA	10
*	12239	ANGLE BASEPLATE	EA	4
*	53498	SPACER FOR 12228 HINGE	EA	4
*	59204	DRAWER PULL	EA	5
*	6199	NYLATCH ROLL CATCH W/STKR	EA	5
*	12347	FLAT BASEPLATE	EA	6
*	32165	ALUMINUM SCAB	FT	1
*	59102	ASH-SEA RAIL	LF	23
*	58989	#26 ASH (OVERHEAD TRIM)	LF	27
*	56342	LWR GALLEY DRWER FILL. .125 BLK ABS	EA	1
*	84123	SPICE RACK SLIDER DOORS	EA	2
*	6982	BLK PLASTIC FINGER PULL	EA	2
*	58986-3-18	UPPER GALLEY DOORS	EA	2
*	59204	DRAWER PULL	EA	2
*	NOT SHOWN			
DRAWING ON FOLLOWING PAGE.				



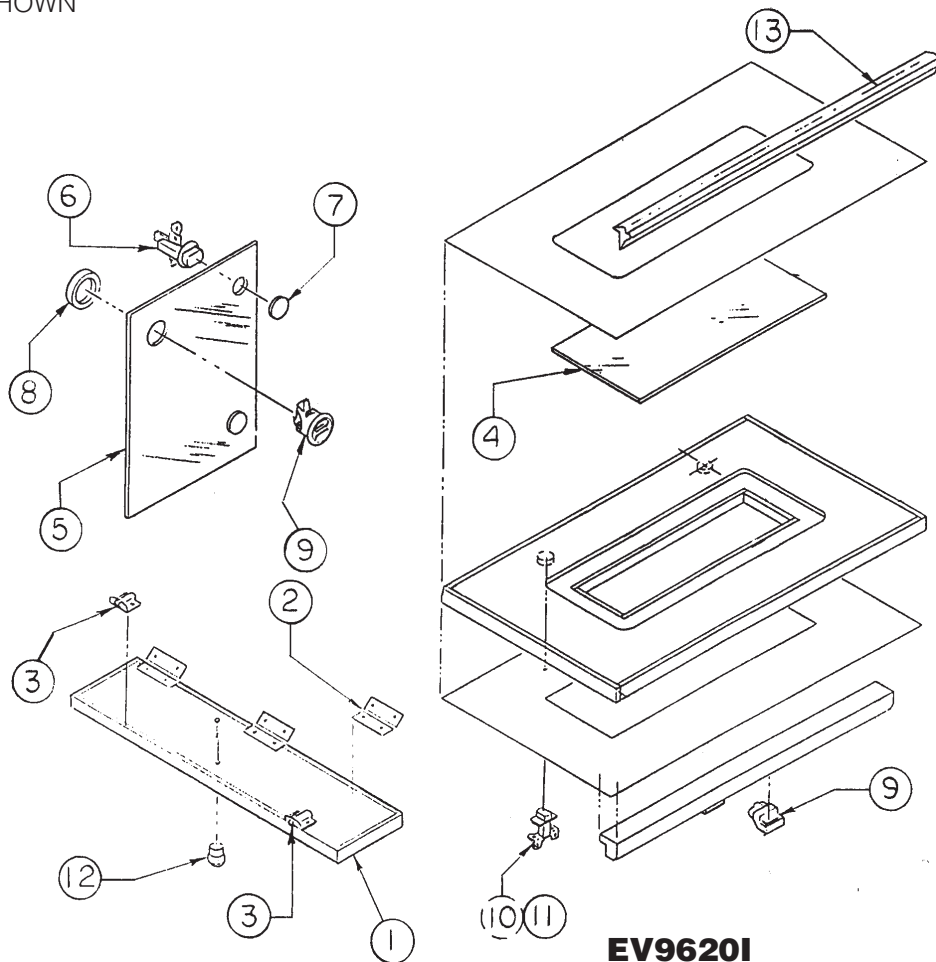
EV9620F

ITEM NO.	PART NUMBER	PART DESCRIPTION	U/M	QTY.
EXT DOOR/BULKHEAD ASSY				
*	55443	SLIDER DOOR TRACK ASSY-EV	EA	1
*	55466	AFT BLKHEAD(PORT)GRAY GLS 15 7/8X35	EA	1
*	55467	STBD AFT BLKHEAD GRY GLASS 33"X35"X	EA	1
*	55468	CENTER AFT BLKHD GRAY GLASS 34"X35"	EA	1
1	EV2371702A	BULKHEAD ENTRY DOOR	EA	1
2	13866	SLIDING DOOR LOCK ASSEMBLY	EA	1
*	5743	AMESBURY PILE GRAY	FT	7
3	55469	DOOR AFT BLKHD GRAY GLASS 25"X35"X	EA	1
COCKPIT STORAGE DOORS - PLEXIGLASS				
4	EV2300201A	COCKPIT STORAGE DOORS (COMPLETE ASSEMBLY)		
5	EV2300201.01A	COCKPIT STORAGE DOORS	EA	2
6	EV2300201.02A	HINGE STRIP	EA	2
7	4030	602 BLK HINGE	PR	2
CABINET ASSEMBLY				
*	58968-3-19	14.25"X 4.125"-ASH DOOR (V/B CABINET DOOR)	EA	2
*	58968-0-37	6.250 X 14.250 5/8" ASH PLY (V/B CAB. PNL)	EA	2
*	S-269	DRAWER-3.5 X 13.25 X 9.25 (A/B NIGHTSTAND)	EA	1
*	58968-0-52	15.875 X 7.625 5/8" ASH PLY (DRAWER FACE)	EA	1
*	58968-3-21	20.375 X 7.750 5/8" ASH DOOR (A/B NIGHTSTAND)	EA	1
*	59102	ASH-SEA RAIL	LF	4
*	6199	NYLATCH ROLL CATCH W/STKR	EA	4
*	59204	DRAWER PULL	EA	5
*	32165	ALUMINUM SCAB .08X1.5"X8'	FT	11
*	58999	ASH-3/4"X3" W/1/8" RADIUS EDGES	LF	32
*	31051	EDGE BAND-7/8" BLACK	FT	71
*	12228	CABNT HINGE W/BLK CAP	EA	12
*	12239	ANGLE BASEPLATE	EA	12
*	53498	SPACER FOR 12228 HINGE	EA	12
*	NOT SHOWN			



ITEM NO.	PART NUMBER	PART DESCRIPTION	U/M	QTY.
PILOTHOUSE AC/DC CABINET ASSEMBLY				
1	58968-0-64	ASH DOOR-9.375 X 36.75	EA	1
2	3669	2X2 CHROME BUTT HINGE	EA	2
3	6199	NYLATCH ROLL CATCH W/STKR	EA	2
4	55351	ELECT PNL TOP BRONZE U-GLASS	EA	1
5	55349	ELECT.PNL DOOR BRONZE U-GLASS LEFT	EA	1
*	55350	ELECT PNL DOOR BRONZE U-GLASS RIGHT	EA	1
6	34344	OVERLAY SELF CLOSING HINGE	EA	4
7	34345	ROUND COVER PLATE BLACK	EA	4
*	K-5168	BUMPER	EA	4
8	35118	CRIMP RING 1.5"ID X 2"OD	EA	4
9	34579	GLASS DOOR LATCH/STRIKER	EA	4
10	12228	CABNT HINGE W/BLK CAP	EA	4
11	12239	ANGLE BASEPLATE	EA	4
*	32165	ALUMINUM SCAB .08X1.5"X8'	FT	9
12	59204	DRAWER PULL	EA	1
*	6381	BRUSHED ALUMINUM	SF	8
13	55246	TEAK SEA RAIL	LF	12
*	58968-6-37	39.375 X 9.250 5/8" ASH PLY (P/H LWR CAB DOOR)	EA	1

* NOT SHOWN



ITEM NO.	PART NUMBER	PART DESCRIPTION	U/M	QTY.
WOOD FOR ENTMNT CENTER				
1	58968-3-23	13.375 X 22.000 5/8" ASH PLY	EA	2
2	58968-3-24	13.625 X 18.750 5/8" ASH PLY	EA	1
3	12228	CABNT HINGE W/BLK CAP	EA	6
4	12239	ANGLE BASEPLATE	EA	6
5	53498	SPACER FOR 12228 HINGE	EA	6
6	59102	ASH-SEA RAIL 94EV	LF	20
*	32165	ALUMINUM SCAB .08X1.5"X8'	FT	7
*	334	HINGE FLAT 3/4"	EA	12
STEREO CABINET				
7	34344	OVERLAY SELF CLOSING HINGE	EA	2
8	34345	ROUND COVER PLATE BLACK	EA	2
9	34579	GLASS DOOR LATCH/STRIKER	EA	1
10	34700	GLASS DOOR BUMPER	EA	2
11	12347	FLAT BASEPLATE	EA	2
12	35118	CRIMP RING 1.5"ID X 2"OD	EA	1
13	55465	STEREO CABINET DOOR (BRONZE)	EA	1
*	58999	ASH-3/4"X3" W/1/8" RADIUS EDGES	LF	7
* NOT SHOWN				

ITEM NO.	PART NUMBER	PART DESCRIPTION	U/M	QTY.
PORT SALON CABINET ASSEMBLY				
*	58968-6-34	12.250 X 31.000 5/8" ASH PLY (DOOR)	EA	5
*	58968-0-61	4.250 X 27.375 5/8" ASH PLY (BATT SWITCH DOOR)	EA	1
*	53498	SPACER FOR 12228 HINGE	EA	12
*	59204	DRAWER PULL	EA	8
*	6199	NYLATCH ROLL CATCH W/STKR	EA	9
*	55420	HINGE, 33-3/8" ALUM. BLK	EA	1
*	334	HINGE FLAT 3/4"	EA	12
*	59102	ASH-SEA RAIL	LF	18
*	12228	CABNT HINGE W/BLK CAP	EA	8
*	12239	ANGLE BASEPLATE	EA	8
*	NOT SHOWN			